

EVALUATION KIT  
AVAILABLE



# Low-Jitter, Precision Clock Generator with Four Outputs

MAX3624

## General Description

The MAX3624 is a low-jitter precision clock generator optimized for networking applications. The device integrates a crystal oscillator and a phase-locked loop (PLL) clock multiplier to generate high-frequency clock outputs for Ethernet, Fibre Channel, SONET/SDH, and other networking applications.

Maxim's proprietary PLL design features ultra-low jitter (0.36ps<sub>RMS</sub>) and excellent power-supply noise rejection, minimizing design risk for network equipment.

The MAX3624 has three LVPECL outputs and one LVCMOS output. Selectable output dividers and a selectable feedback divider allow a range of output frequencies.

## Applications

Ethernet Networking Equipment  
Fibre Channel Storage Area Network  
SONET/SDH Network

*Pin Configuration and Typical Application Circuit appear at end of data sheet.*

## Features

- ◆ **Crystal Oscillator Interface: 19.375MHz to 27MHz**
- ◆ **CMOS Input: 19MHz to 40.5MHz**
- ◆ **Output Frequencies**
  - Ethernet: 62.5MHz, 125MHz, 156.25MHz, 312.5MHz**
  - Fibre Channel: 106.25MHz, 159.375MHz, 212.5MHz, 318.5MHz**
  - SONET/SDH: 77.76MHz, 155.52MHz, 311.04MHz**
- ◆ **Low Jitter**
  - 0.14ps<sub>RMS</sub> (1.875MHz to 20MHz)**
  - 0.36ps<sub>RMS</sub> (12kHz to 20MHz)**
- ◆ **Excellent Power-Supply Noise Rejection**
- ◆ **No External Loop Filter Capacitor Required**

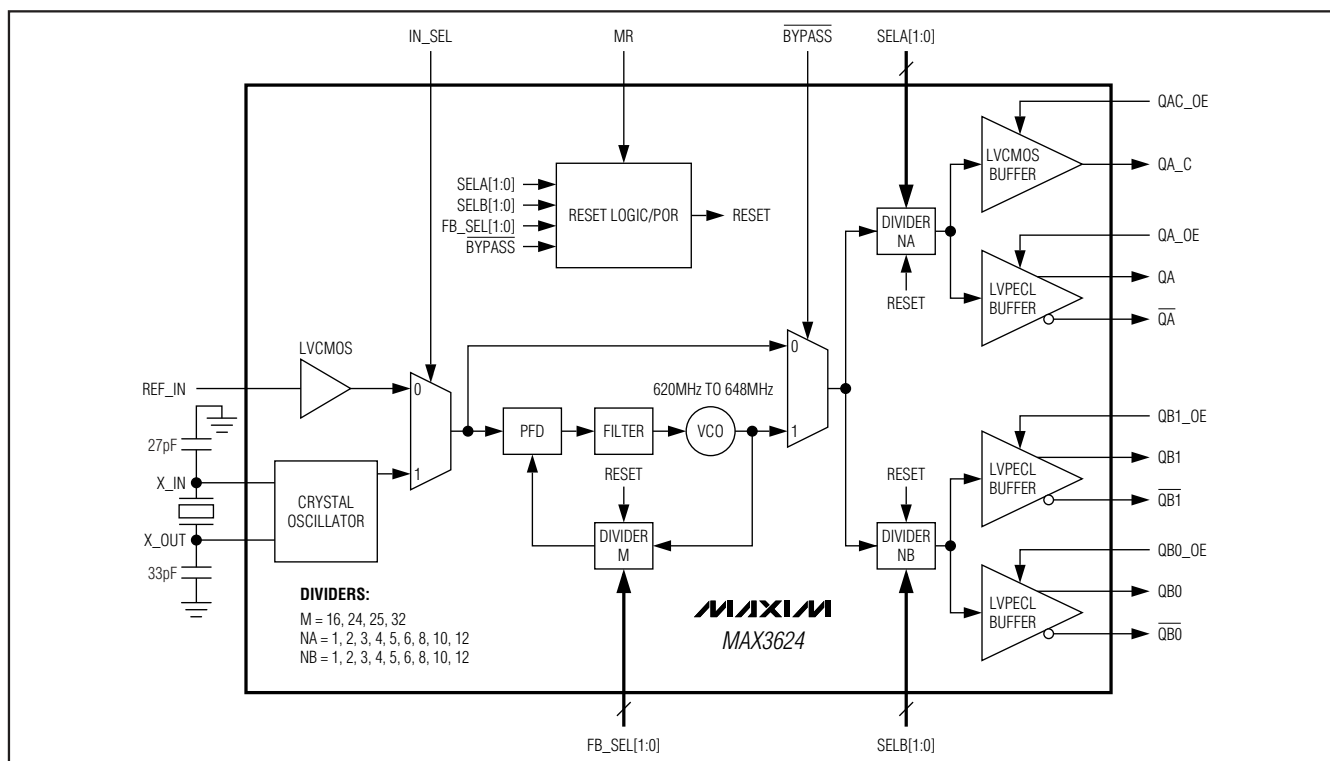
## Ordering Information

PART	TEMP RANGE	PIN-PACKAGE	PKG CODE
MAX3624UTJ+	0°C to +85°C	32 TQFN-EP*	T3255-3

+Denotes a lead-free package.

\*EP = Exposed pad.

## Block Diagram



# Low-Jitter, Precision Clock Generator with Four Outputs

## ABSOLUTE MAXIMUM RATINGS

Supply Voltage Range  $V_{CC}$ ,  $V_{CCA}$ ,  
 $V_{DDO\_A}$ ,  $V_{CCO\_A}$ ,  $V_{CCO\_B}$  .....-0.3V to +4.0V  
 Voltage Range at  $REF\_IN$ ,  $IN\_SEL$ ,  
 $FB\_SEL[1:0]$ ,  $SELA[1:0]$ ,  $SELB[1:0]$ ,  
 $QAC\_OE$ ,  $QA\_OE$ ,  $QB0\_OE$ ,  $QB1\_OE$ ,  
 $MR$ ,  $BYPASS$  .....-0.3V to ( $V_{CC} + 0.3V$ )  
 Voltage Range at  $X\_IN$  Pin .....-0.3V to +1.2V

Voltage Range at  $GNDO\_A$  .....-0.3V to +0.3V  
 Voltage Range at  $X\_OUT$  Pin .....-0.3V to ( $V_{CC} - 0.6V$ )  
 Current into  $QA\_C$  .....±50mA  
 Current into  $QA$ ,  $\overline{QA}$ ,  $QB0$ ,  $\overline{QB0}$ ,  $QB1$ ,  $\overline{QB1}$  .....-56mA  
 Continuous Power Dissipation ( $T_A = +70^\circ C$ )  
 32-Pin TQFN (derate 34.5mW/ $^\circ C$  above +70 $^\circ C$ ) .....2759mW  
 Operating Junction Temperature Range .....-55 $^\circ C$  to +150 $^\circ C$   
 Storage Temperature Range .....-65 $^\circ C$  to +160 $^\circ C$

Stresses beyond those listed under "Absolute Maximum Ratings" may cause permanent damage to the device. These are stress ratings only, and functional operation of the device at these or any other conditions beyond those indicated in the operational sections of the specifications is not implied. Exposure to absolute maximum rating conditions for extended periods may affect device reliability.

## ELECTRICAL CHARACTERISTICS

( $V_{CC} = +3.0V$  to +3.6V,  $T_A = 0^\circ C$  to +85 $^\circ C$ , unless otherwise noted. Typical values are at  $V_{CC} = +3.3V$ ,  $T_A = +25^\circ C$ , unless otherwise noted.) (Notes 1, 2, and 3)

PARAMETER	SYMBOL	CONDITIONS	MIN	TYP	MAX	UNITS
Power-Supply Current	$I_{CC}$	(Note 4)		77	100	mA
<b>CONTROL INPUT CHARACTERISTICS</b> ( $SELA[1:0]$ , $SELB[1:0]$ , $FB\_SEL[1:0]$ , $IN\_SEL$ , $QAC\_OE$ , $QA\_OE$ , $QB1\_OE$ , $QB0\_OE$ , $MR$ , $BYPASS$ Pins)						
Input Capacitance	$C_{IN}$			2		pF
Input Pulldown Resistor	$R_{PULLDOWN}$	Pins $MR$ , $FB\_SEL[1:0]$		75		k $\Omega$
Input Logic Bias Resistor	$R_{BIAS}$	Pins $SELA[1:0]$ , $SELB[1:0]$ , $QB0\_OE$		50		k $\Omega$
Input Pullup Resistor	$R_{PULLUP}$	Pins $QAC\_OE$ , $QA\_OE$ , $QB1\_OE$ , $IN\_SEL$ , $BYPASS$		75		k $\Omega$
<b>LVPECL OUTPUT SPECIFICATIONS (<math>QA</math>, <math>\overline{QA}</math>, <math>QB0</math>, <math>\overline{QB0}</math>, <math>QB1</math>, <math>\overline{QB1}</math> PINS)</b>						
Output High Voltage	$V_{OH}$		$V_{CC} - 1.13$	$V_{CC} - 0.98$	$V_{CC} - 0.83$	V
Output Low Voltage	$V_{OL}$		$V_{CC} - 1.85$	$V_{CC} - 1.7$	$V_{CC} - 1.55$	V
Peak-to-Peak Output-Voltage Swing (Single-Ended)		(Note 2)	0.6	0.72	0.9	$V_{P-P}$
Clock Output Rise/Fall Time		20% to 80% (Note 2)	200	350	600	ps
Output Duty-Cycle Distortion		PLL enabled	48	50	52	%
		PLL bypassed (Note 5)	40	50	60	
<b>LVC MOS/LVTTL INPUT SPECIFICATIONS</b> ( $SELA[1:0]$ , $SELB[1:0]$ , $FB\_SEL[1:0]$ , $IN\_SEL$ , $QAC\_OE$ , $QA\_OE$ , $QB1\_OE$ , $QB0\_OE$ , $MR$ , $BYPASS$ Pins)						
Input-Voltage High	$V_{IH}$		2.0			V
Input-Voltage Low	$V_{IL}$				0.8	V
Input High Current	$I_{IH}$	$V_{IN} = V_{CC}$			80	$\mu A$
Input Low Current	$I_{IL}$	$V_{IN} = 0V$	-80			$\mu A$

# Low-Jitter, Precision Clock Generator with Four Outputs

MAX3624

## ELECTRICAL CHARACTERISTICS (continued)

( $V_{CC} = +3.0V$  to  $+3.6V$ ,  $T_A = 0^\circ C$  to  $+85^\circ C$ , unless otherwise noted. Typical values are at  $V_{CC} = +3.3V$ ,  $T_A = +25^\circ C$ , unless otherwise noted.) (Notes 1, 2, and 3)

PARAMETER	SYMBOL	CONDITIONS	MIN	TYP	MAX	UNITS
<b>REF_IN SPECIFICATIONS (Input DC- or AC-Coupled)</b>						
Reference Clock Frequency		PLL enabled			40.5	MHz
		PLL bypassed			320	
Input-Voltage High	$V_{IH}$		2.0			V
Input-Voltage Low	$V_{IL}$				0.8	V
Input High Current	$I_{IH}$	$V_{IN} = V_{CC}$			240	$\mu A$
Input Low Current	$I_{IL}$	$V_{IN} = 0V$	-240			$\mu A$
Reference Clock Duty Cycle		PLL enabled	30		70	%
Input Capacitance				2.5		pF
<b>QA_C SPECIFICATIONS</b>						
Output High Voltage	$V_{OH}$	QA_C sourcing 12mA	2.6			V
Output Low Voltage	$V_{OL}$	QA_C sinking 12mA			0.4	V
Output Rise/Fall Time		(Notes 3 and 6)	250	500	1000	ps
Output Duty Cycle Distortion		PLL enabled	42	50	58	%
		PLL bypassed (Note 5)	40		60	
Output Impedance				14		$\Omega$
<b>CLOCK OUTPUT AC SPECIFICATIONS</b>						
VCO Frequency Range			620		648	MHz
Random Jitter (Note 7)	RJ <sub>RMS</sub>	12kHz to 20MHz		0.36	1.0	pSRMS
		1.875MHz to 20MHz		0.14		
Total Time Interval Error (TIE) with Supply Noise (Notes 7, 8, and 9)		LVPECL output		14		pSP-P
		LVC MOS output		25		
Total Time Interval Error (TIE) Without Supply Noise (Notes 7, 8)		LVPECL output, LVC MOS output		0.9		pSRMS
				9		pSP-P
Spurs Induced by Power-Supply Noise (Notes 7, 9, 10)		LVPECL output		-57		dBc
		LVC MOS output		-47		
Nonharmonic and Subharmonic Spurs				-70		dBc

# Low-Jitter, Precision Clock Generator with Four Outputs

## ELECTRICAL CHARACTERISTICS (continued)

( $V_{CC} = +3.0V$  to  $+3.6V$ ,  $T_A = 0^\circ C$  to  $+85^\circ C$ , unless otherwise noted. Typical values are at  $V_{CC} = +3.3V$ ,  $T_A = +25^\circ C$  unless otherwise noted.) (Notes 1, 2, and 3)

PARAMETER	SYMBOL	CONDITIONS	MIN	TYP	MAX	UNITS
Output Skew		Between QB0 and QB1		15		ps
		Between QA and QB0 or QB1, PECL outputs		20		
Clock Output SSB Phase Noise at 125MHz (Note 11)		f = 1kHz		-124		dBc/Hz
		f = 10kHz		-125		
		f = 100kHz		-130		
		f = 1MHz		-145		
		f > 10MHz		-153		

**Note 1:** A series resistor of up to  $10.5\Omega$  is allowed between  $V_{CC}$  and  $V_{CCA}$  for filtering supply noise when system power-supply tolerance is  $V_{CC} = 3.3V \pm 5\%$ . See Figure 2.

**Note 2:** Guaranteed up to 320MHz for LVPECL output.

**Note 3:** Guaranteed up to 160MHz for LVCMOS output.

**Note 4:** All outputs enabled and unloaded. IN\_SEL set high.

**Note 5:** Measured with crystal or AC-coupled, 50% duty-cycle signal on REF\_IN.

**Note 6:** Measured using setup shown in Figure 1 with  $V_{CC} = 3.3V \pm 5\%$ .

**Note 7:** Measured with crystal source.

**Note 8:** Total TIE including random and deterministic jitter. Measured with Agilent DSO81304A 40GS/s real-time oscilloscope using 2M sample record length.

**Note 9:** Measured with 40mV<sub>p-p</sub>, 100kHz sinusoidal signal on the supply.

**Note 10:** Measured at 156.25MHz output.

**Note 11:** Measured with 25MHz crystal or 25MHz reference clock at LVCMOS input with a slew rate of 0.5V/ns or greater.

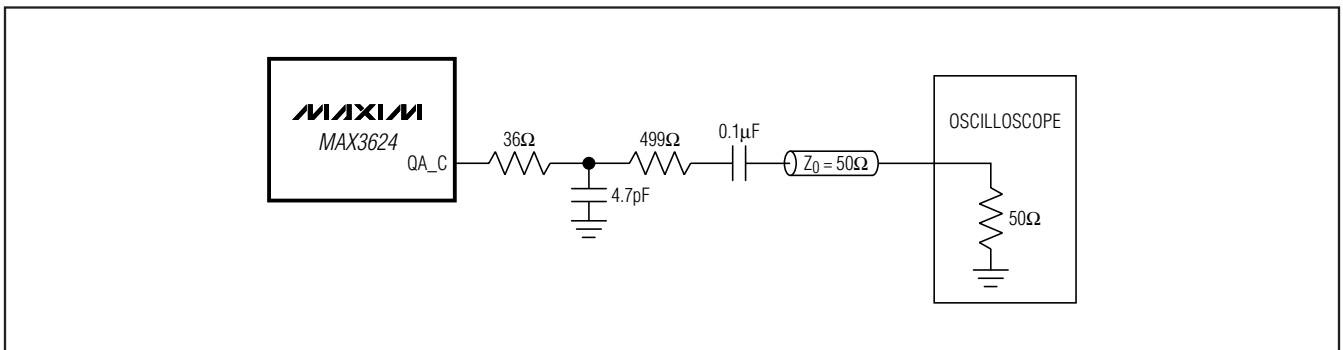


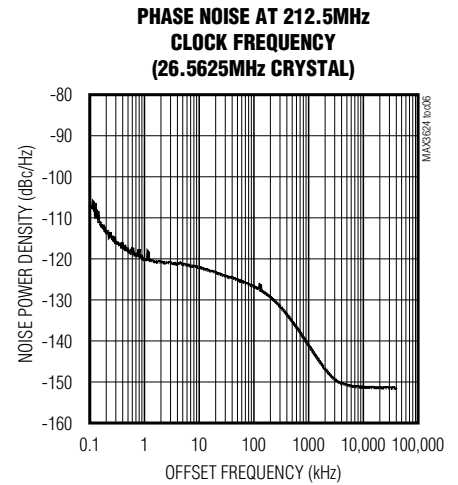
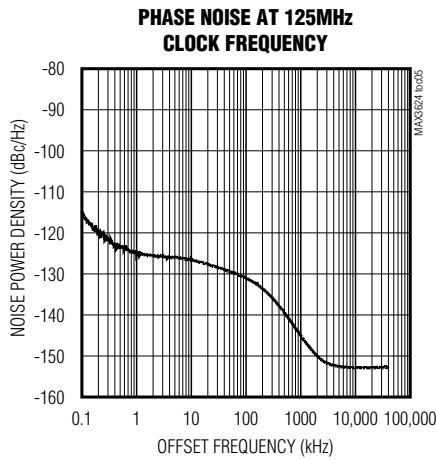
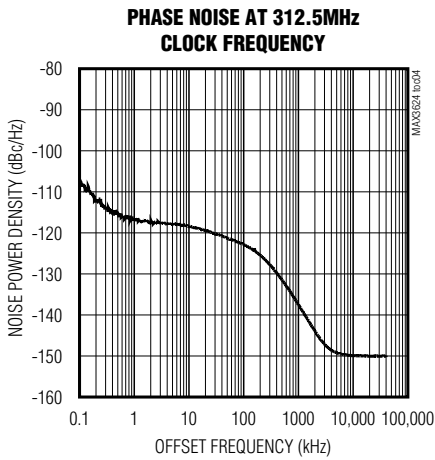
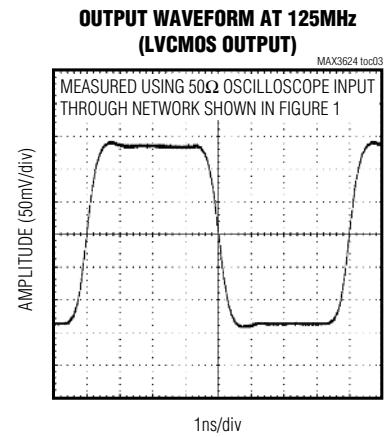
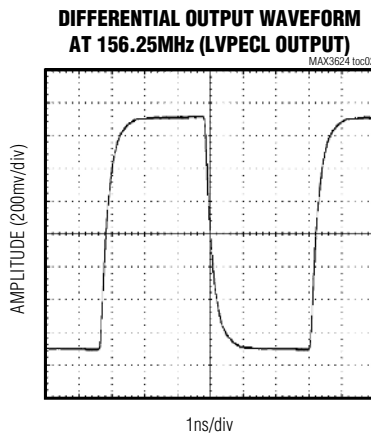
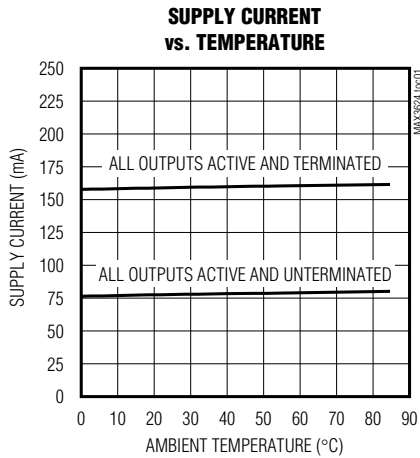
Figure 1. LVCMOS Output Measurement Setup

# Low-Jitter, Precision Clock Generator with Four Outputs

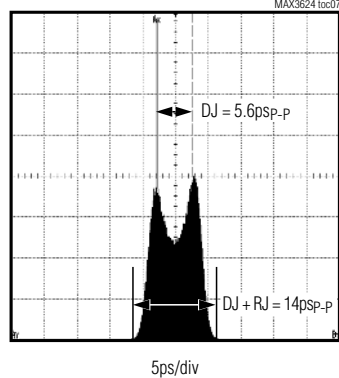
MAX3624

## Typical Operating Characteristics

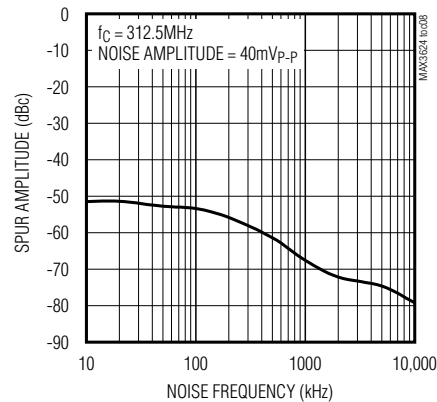
(Typical values are at  $V_{CC} = +3.3V$ ,  $T_A = +25^\circ C$ , crystal frequency = 25MHz.)



**JITTER HISTOGRAM (312.5MHz OUTPUT, 40mVp-p SUPPLY NOISE AT 100kHz)**



**SPURS INDUCED BY POWER-SUPPLY NOISE vs. NOISE FREQUENCY**



# Low-Jitter, Precision Clock Generator with Four Outputs

## Pin Description

PIN	NAME	FUNCTION
1	VCCO_B	Power Supply for QB0 and QB1 Clock Outputs. Connect to +3.3V.
2, 19, 24	GND	Supply Ground
3	QB0_OE	LVC MOS/LVTTL Input. Enables/disables QB0 clock output. Connect pin high to enable LVPECL clock output QB0. Connect low to set QB0 to a logic 0. Has internal 50k $\Omega$ input impedance.
4, 5	SELB1, SELB0	LVC MOS/LVTTL Input. Controls NB divider setting. Has 50k $\Omega$ input impedance. See Table 2 for more information.
6	QAC_OE	LVC MOS/LVTTL Input. Enables/disables QA_C clock output. Connect pin high to enable QA_C. Connect low to set QA_C to a high-impedance state. Has internal 75k $\Omega$ pullup to V <sub>CC</sub> .
7	MR	LVC MOS/LVTTL Input. Master reset input. Pulse high for > 1 $\mu$ s to reset all dividers. Has internal 75k $\Omega$ pulldown to GND. Not required for normal operation.
8	GND0_A	Ground for QA_C Output. Connect to supply ground.
9	QA_C	LVC MOS Clock Output
10	VDD0_A	Power Supply for QA_C Clock Output. Connect to +3.3V.
11	VCCO_A	Power Supply for QA Clock Output. Connect to +3.3V.
12	QA	Noninverting Clock Output, LVPECL
13	$\overline{QA}$	Inverting Clock Output, LVPECL
14	$\overline{BYPASS}$	LVC MOS/LVTTL Input (Active Low). Connect low to bypass the internal PLL. Connect high for normal operation. When in bypass mode the output dividers are set to divide by 1. Has internal 75k $\Omega$ pullup to V <sub>CC</sub> .
15, 16	FB_SEL1, FB_SEL0	LVC MOS/LVTTL Input. Controls M divider setting. See Table 3 for more information. Has internal 75k $\Omega$ pulldown to GND.
17	VCCA	Analog Power Supply for the VCO. Connect to +3.3V. For additional power-supply noise filtering, this pin can connect to V <sub>CC</sub> through 10.5 $\Omega$ as shown in Figure 2 (requires V <sub>CC</sub> = +3.3V $\pm$ 5%).
18	VCC	Core Power Supply. Connect to +3.3V.
20	QA_OE	LVC MOS/LVTTL Input. Enables/disables the QA clock output. Connect this pin high to enable the LVPECL clock output QA. Connect low to set QA to a logic 0. Has internal 75k $\Omega$ pullup to V <sub>CC</sub> .
21, 22	SELA0, SELA1	LVC MOS/LVTTL Input. Controls NA divider setting. See Table 2 for more information. Has 50k $\Omega$ input impedance.
23	QB1_OE	LVC MOS/LVTTL Input. Enables/disables QB1 clock output. Connect pin high to enable LVPECL clock output QB1. Connect low to set QB1 to a logic 0. Has internal 50k $\Omega$ input impedance.
25	X_OUT	Crystal Oscillator Output
26	X_IN	Crystal Oscillator Input
27	REF_IN	LVC MOS Reference Clock Input. Self-biased to allow AC- or DC-coupling.
28	IN_SEL	LVC MOS/LVTTL Input. Connect high or leave open to use a crystal. Connect low to use REF_IN. Has internal 75k $\Omega$ pullup to V <sub>CC</sub> .
29	$\overline{QB1}$	LVPECL, Inverting Clock Output
30	QB1	LVPECL, Noninverting Clock Output
31	$\overline{QB0}$	LVPECL, Inverting Clock Output
32	QB0	LVPECL, Noninverting Clock Output
—	EP	Exposed Pad. Connect to supply ground for proper electrical and thermal performance.

# Low-Jitter, Precision Clock Generator with Four Outputs

## Detailed Description

The MAX3624 is a low-jitter clock generator designed to operate at Ethernet, Fibre Channel, and SONET/SDH frequencies. It consists of an on-chip crystal oscillator, PLL, programmable dividers, LVCMOS output buffer, and LVPECL output buffers. Using a low-frequency clock (crystal or CMOS input) as a reference, the internal PLL generates a high-frequency output clock with excellent jitter performance.

### Crystal Oscillator

An integrated oscillator provides the low-frequency reference clock for the PLL. This oscillator requires an external crystal connected between X\_IN and X\_OUT. Crystal frequency is 19.375MHz to 27MHz.

### REF\_IN Buffer

An LVCMOS-compatible clock source can be connected to REF\_IN to serve as the reference clock.

The LVCMOS REF\_IN buffer is internally biased to allow AC- or DC-coupling. It is designed to operate up to 320MHz.

### PLL

The PLL takes the signal from the crystal oscillator or reference clock input and synthesizes a low-jitter, high-frequency clock. The PLL contains a phase-frequency detector (PFD), a lowpass filter, and a voltage-controlled oscillator (VCO) with a 620MHz to 648MHz operating range. The VCO output is connected to the PFD input through a feedback divider. See Table 3 for divider values. The PFD compares the reference frequency to the divided-down VCO output ( $f_{VCO}/M$ ) and generates a control signal that keeps the VCO locked to the reference clock. The high-frequency VCO output clock is sent to the output dividers. To minimize noise-induced jitter, the VCO supply ( $V_{CCA}$ ) is isolated from the core logic and output buffer supplies.

### Output Dividers

The output divider is programmable to allow a range of output frequencies. See Table 2 for the divider input settings. The output dividers are automatically set to divide by 1 when the MAX3624 is in bypass mode ( $BYPASS = 0$ ).

### LVPECL Drivers

The high-frequency outputs—QA, QB0, and QB1—are differential PECL buffers designed to drive transmission lines terminated with  $50\Omega$  to  $V_{CC} - 2.0V$ . The maximum operating frequency is specified up to 320MHz. Each output can be individually disabled, if not used. The outputs go to a logic 0 when disabled.

### LVCMOS Driver

QA\_C, the LVCMOS output, is designed to drive a single-ended high-impedance load. The maximum operating frequency is specified up to 160MHz. This output can be disabled by the QAC\_OE pin if not used and goes to a high impedance when disabled.

### Reset Logic/POR

During power-on, the power-on reset (POR) signal is generated to synchronize all dividers. An external master reset (MR) signal is not required.

## Applications Information

### Power-Supply Filtering

The MAX3624 is a mixed analog/digital IC. The PLL contains analog circuitry susceptible to random noise. In addition to excellent on-chip power-supply noise rejection, the MAX3624 provides a separate power-supply pin,  $V_{CCA}$ , for the VCO circuitry. Figure 2 illustrates the recommended power-supply filter network for  $V_{CCA}$ . The purpose of this design technique is to ensure clean input power supply to the VCO circuitry and to improve the overall immunity to power-supply noise. This network requires that the power supply is  $+3.3V \pm 5\%$ . Decoupling capacitors should be used on all other supply pins for best performance.

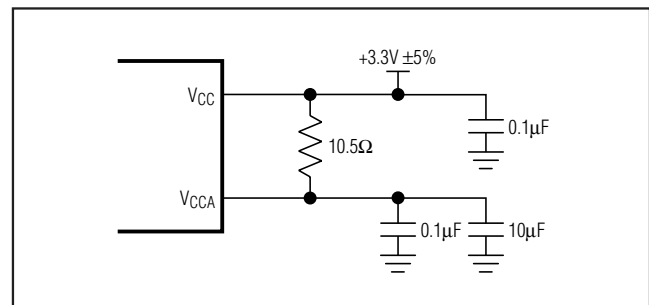


Figure 2. Analog Supply Filtering

# Low-Jitter, Precision Clock Generator with Four Outputs

Table 1. Output Frequency Determination Chart

XO OR CMOS INPUT FREQUENCY (MHz)	FEEDBACK DIVIDER, M	VCO FREQUENCY (MHz)	OUTPUT DIVIDER, NA AND NB	OUTPUT FREQUENCY (MHz)	APPLICATIONS
25	25	625	÷2	312.5	Ethernet
			÷4	156.25	
			÷5	125	
			÷8	78.125	
			÷10	62.5	
25.78125	25	644.53125	÷4	161.132812	10Gbps Ethernet
26.04166	24	625	÷2	312.5	Ethernet
			÷4	156.25	
			÷5	125	
			÷8	78.125	
			÷10	62.5	
26.5625	24	637.5	÷2	318.75	Fibre Channel
			÷3	212.5	
			÷4	159.375	
			÷6	106.25	
			÷12	53.125	
19.44	32	622.08	÷2	311.04	SONET/SDH
			÷4	155.52	
			÷8	77.76	
38.88 (CMOS input)	16	622.08	÷2	311.04	SONET/SDH
			÷4	155.52	
			÷8	77.76	

### Output Divider Configuration

Table 2 shows the input settings required to set the output dividers. Leakage in the OPEN case must be less than 1µA. Note that when the MAX3624 is in bypass mode (BYPASS set low), the output dividers are automatically set to divide by 1.

Table 2. Output Divider Configuration Chart

INPUT		NA/NB DIVIDER
SELA1/SELB1	SELA0/SELB0	
0	0	÷2*
0	1	÷3*
1	0	÷4
1	1	÷5
1	OPEN	÷6
OPEN	1	÷8
0	OPEN	÷10
OPEN	0	÷12
OPEN	OPEN	÷1*

\*Maximum guaranteed output frequency is 160MHz for CMOS and 320MHz for LVPECL output.



# Low-Jitter, Precision Clock Generator with Four Outputs

## PLL Divider Configuration

Table 3 shows the input settings required to set PLL feedback divider.

## Crystal Selection

The crystal oscillator is designed to drive a fundamental mode, AT-cut crystal resonator. See Table 4 for recommended crystal specifications. See Figure 4 for external capacitance connection.

**Table 3. PLL Divider Configuration Chart**

INPUT		M DIVIDER
FB_SEL1	FB_SEL0	
0	0	÷25
0	1	÷24
1	0	÷32
1	1	÷16

**Table 4. Crystal Selection Parameters**

PARAMETER	SYMBOL	MIN	TYP	MAX	UNITS
Crystal Oscillation Frequency	f <sub>OSC</sub>	19.375		27	MHz
Shunt Capacitance	C <sub>0</sub>		2.0	7.0	pF
Load Capacitance	C <sub>L</sub>		18		pF
Equivalent Series Resistance (ESR)	R <sub>S</sub>			50	Ω
Maximum Crystal Drive Level				300	μW

## Crystal Input Layout and Frequency Stability

The crystal, trace, and two external capacitors should be placed on the board as close as possible to the MAX3624's X\_IN and X\_OUT pins to reduce crosstalk of active signals into the oscillator.

The layout shown in Figure 3 gives approximately 3pF of trace plus footprint capacitors per side of the crystal (Y1). The dielectric material is FR-4 and dielectric thickness of the reference board is 15 mils. Using a 25MHz crystal and the capacitor values of C22 = 27pF and C23 = 33pF, the measured output frequency accuracy is -14ppm at +25°C ambient temperature.

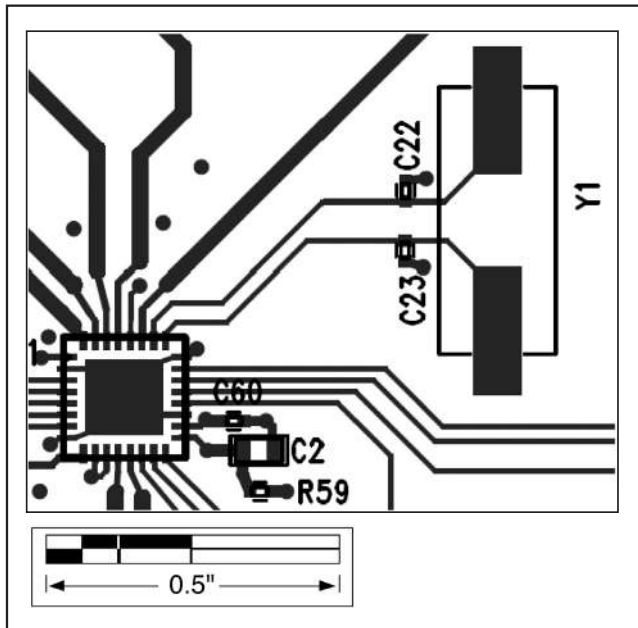


Figure 3. Crystal Layout

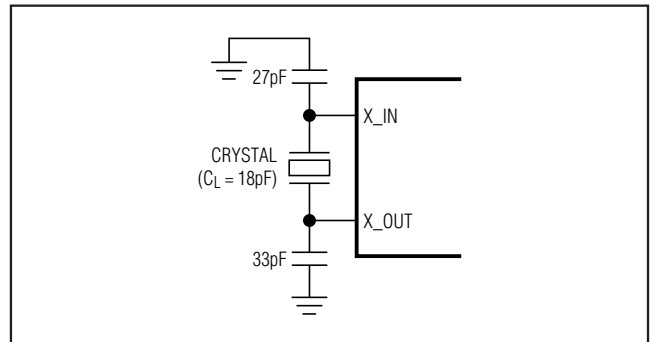


Figure 4. Crystal, Capacitors Connection

# Low-Jitter, Precision Clock Generator with Four Outputs

## Interfacing with LVPECL Outputs

The equivalent LVPECL output circuit is given in Figure 8. These outputs are designed to drive a pair of  $50\Omega$  transmission lines terminated with  $50\Omega$  to  $V_{TT} = V_{CC} - 2V$ . If a separate termination voltage ( $V_{TT}$ ) is not available, other termination methods can be used such as shown in Figure 5 and Figure 6. Unused outputs should be disabled and may be left open. For more information on LVPECL terminations and how to interface with other logic families, refer to Maxim Application Note *HFAN-01.0: Introduction to LVDS, PECL, and CML*.

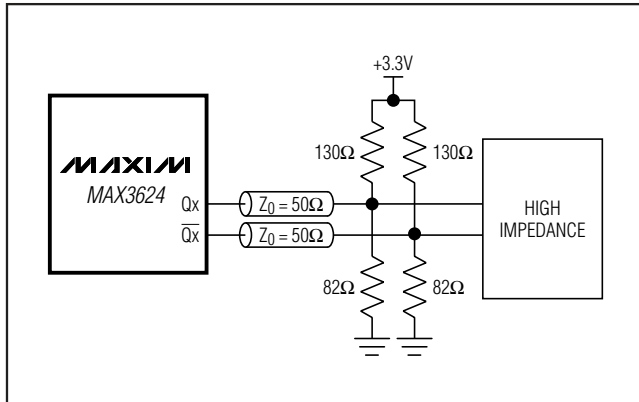


Figure 5. Thevenin Equivalent of Standard PECL Termination

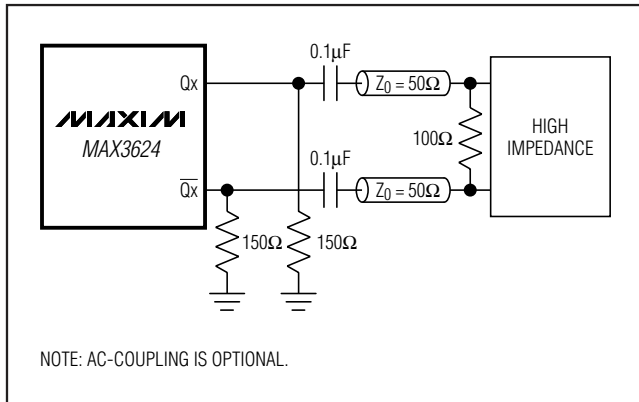


Figure 6. AC-Coupled PECL Termination

## Interface Models

Figure 7, Figure 8, and Figure 9 show examples of interface models.

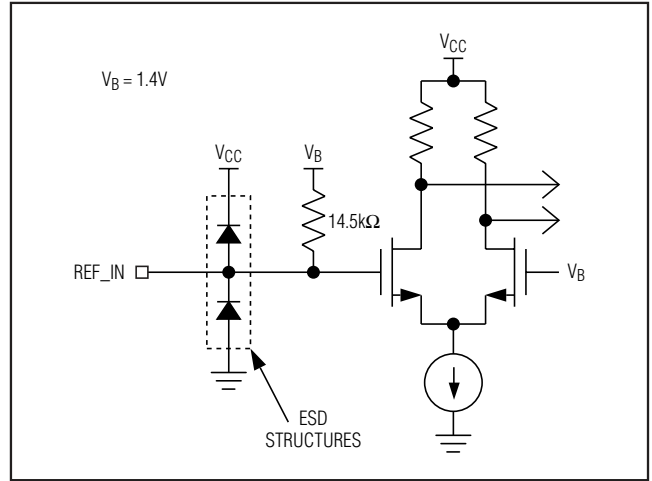


Figure 7. Simplified REF\_IN Pin Circuit Schematic

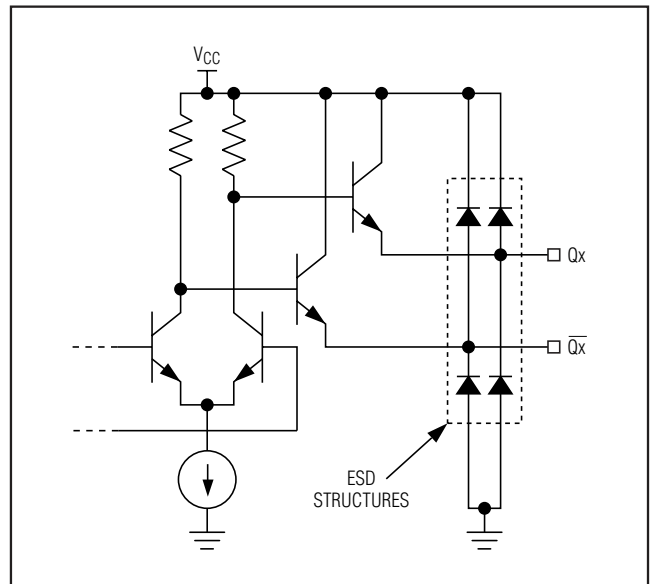


Figure 8. Simplified LVPECL Output Circuit Schematic

# Low-Jitter, Precision Clock Generator with Four Outputs

**MAX3624**

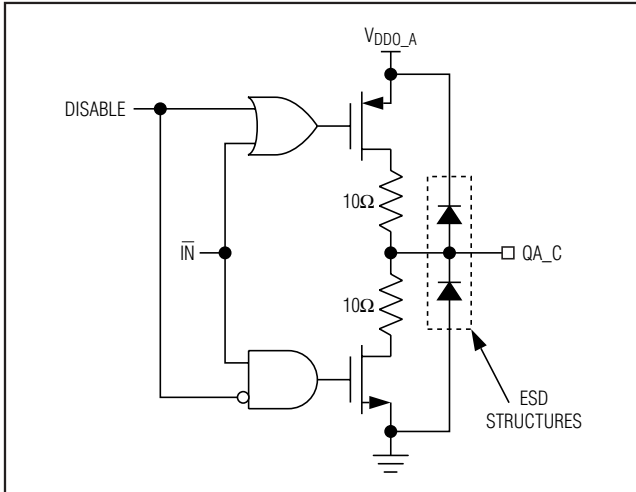


Figure 9. Simplified LVCMOS Output Circuit Schematic

## Layout Considerations

The inputs and outputs are critical paths for the MAX3624, and care should be taken to minimize discontinuities on these transmission line. Here are some suggestions for maximizing the MAX3624's performance:

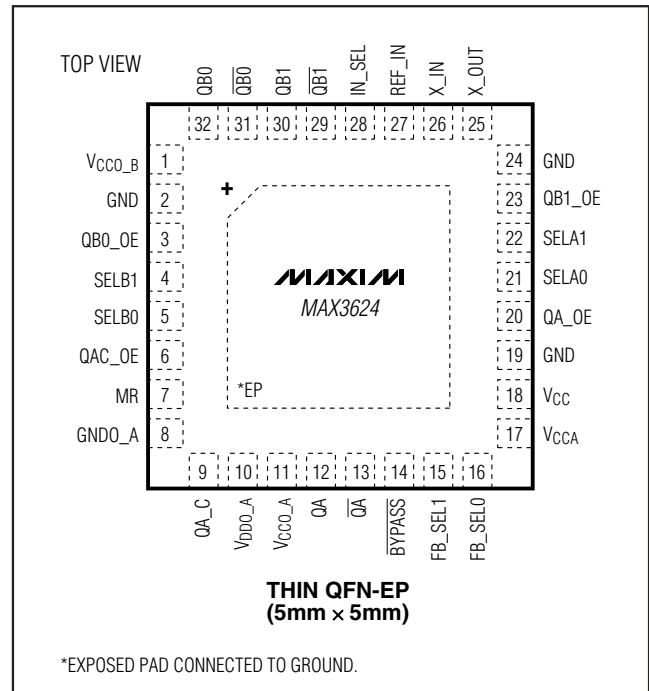
- An uninterrupted ground plane should be positioned beneath the clock I/Os.
- Ground pin vias should be placed close to the IC and the input/output interfaces to allow a return current path to the MAX3624 and the receive devices.
- Supply decoupling capacitors should be placed close to the MAX3624 supply pins.
- Maintain 100Ω differential (or 50Ω single-ended) transmission line impedance out of the MAX3624.
- Use good high-frequency layout techniques and a multilayer board with an uninterrupted ground plane to minimize EMI and crosstalk.

Refer to the MAX3624 Evaluation Kit for more information.

## Exposed-Pad Package

The exposed pad on the 32-pin TQFN package provides a very low inductance path for return current traveling to the PCB ground plane. The pad is also electrical ground on the MAX3624 and must be soldered to the circuit board ground for proper electrical performance.

## Pin Configuration



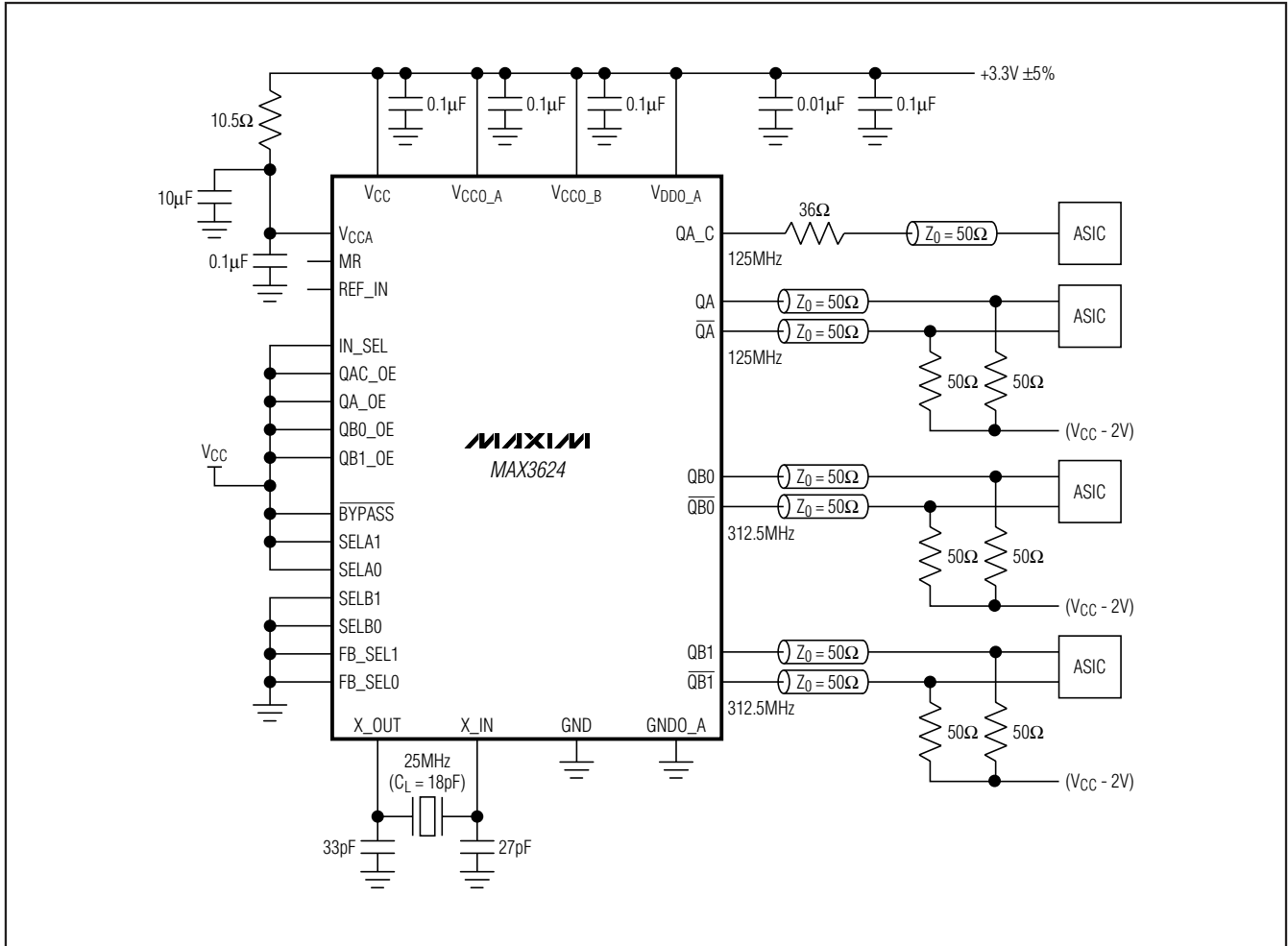
## Chip Information

TRANSISTOR COUNT: 10,780

PROCESS: BiCMOS

# Low-Jitter, Precision Clock Generator with Four Outputs

## Typical Application Circuit



### Package Information

For the latest package outline information, go to [www.maxim-ic.com/packages](http://www.maxim-ic.com/packages).

PACKAGE TYPE	DOCUMENT NO.
32 TQFN-EP	<a href="#">21-0140</a>

# Low-Jitter, Precision Clock Generator with Four Outputs

## Revision History

REVISION NUMBER	REVISION DATE	DESCRIPTION	PAGES CHANGED
0	8/07	Initial release.	—
1	11/07	Changed various typos.	1, 2, 4, 6, 8, 9, 10, 11
		Changed TOC4, TOC5, TOC6 y-axis from Amplitude to Noise Power Density; replaced TOC7.	5
		Updated <i>Typical Application Circuit</i> .	12

MAX3624

Maxim cannot assume responsibility for use of any circuitry other than circuitry entirely embodied in a Maxim product. No circuit patent licenses are implied. Maxim reserves the right to change the circuitry and specifications without notice at any time.

Maxim Integrated Products, 120 San Gabriel Drive, Sunnyvale, CA 94086 408-737-7600 \_\_\_\_\_ 13