



LPC185x/3x/2x/1x

32-bit ARM Cortex-M3 MCU; up to 1 MB flash and 136 kB SRAM; Ethernet, two High-speed USB, LCD, EMC

Rev. 4 — 31 October 2012

Preliminary data sheet

1. General description

The LPC185x/3x/2x/1x are ARM Cortex-M3 based microcontrollers for embedded applications. The ARM Cortex-M3 is a next generation core that offers system enhancements such as low power consumption, enhanced debug features, and a high level of support block integration.

The LPC185x/3x/2x/1x operate at CPU frequencies of up to 180 MHz. The ARM Cortex-M3 CPU incorporates a 3-stage pipeline and uses a Harvard architecture with separate local instruction and data buses as well as a third bus for peripherals. The ARM Cortex-M3 CPU also includes an internal prefetch unit that supports speculative branching.

The LPC185x/3x/2x/1x include up to 1 MB of flash and 136 kB of on-chip SRAM, 16 kB of EEPROM memory, a quad SPI Flash Interface (SPIFI), a State Configurable Timer (SCT) subsystem, two High-speed USB controllers, Ethernet, LCD, an external memory controller, and multiple digital and analog peripherals.

2. Features and benefits

- Processor core
 - ◆ ARM Cortex-M3 processor, running at CPU frequencies of up to 180 MHz.
 - ◆ ARM Cortex-M3 built-in Memory Protection Unit (MPU) supporting eight regions.
 - ◆ ARM Cortex-M3 built-in Nested Vectored Interrupt Controller (NVIC).
 - ◆ Non-maskable Interrupt (NMI) input.
 - ◆ JTAG and Serial Wire Debug, serial trace, eight breakpoints, and four watch points.
 - ◆ Enhanced Trace Module (ETM) and Enhanced Trace Buffer (ETB) support.
 - ◆ System tick timer.
- On-chip memory
 - ◆ Up to 1 MB on-chip dual bank flash memory with flash accelerator.
 - ◆ 16 kB on-chip EEPROM data memory.
 - ◆ 136 kB SRAM for code and data use.
 - ◆ Multiple SRAM blocks with separate bus access.
 - ◆ 64 kB ROM containing boot code and on-chip software drivers.
 - ◆ 64 bit of One-Time Programmable (OTP) memory for general-purpose use.
- Clock generation unit
 - ◆ Crystal oscillator with an operating range of 1 MHz to 25 MHz.
 - ◆ 12 MHz internal RC oscillator trimmed to 2 % accuracy over temperature and voltage (1 % accuracy for $T_{amb} = 0\text{ }^{\circ}\text{C}$ to $85\text{ }^{\circ}\text{C}$).



- ◆ Ultra-low power RTC crystal oscillator.
- ◆ Three PLLs allow CPU operation up to the maximum CPU rate without the need for a high-frequency crystal. The second PLL can be used with the High-speed USB, the third PLL can be used as audio PLL.
- ◆ Clock output.
- Configurable digital peripherals:
 - ◆ State Configurable Timer (SCT) subsystem on AHB.
 - ◆ Global Input Multiplexer Array (GIMA) allows to cross-connect multiple inputs and outputs to event driven peripherals like timers, SCT, and ADC0/1.
- Serial interfaces:
 - ◆ Quad SPI Flash Interface (SPIFI) with 1-, 2-, or 4-bit data at rates of up to 52 MB per second.
 - ◆ 10/100T Ethernet MAC with RMI and MII interfaces and DMA support for high throughput at low CPU load. Support for IEEE 1588 time stamping/advanced time stamping (IEEE 1588-2008 v2).
 - ◆ One High-speed USB 2.0 Host/Device/OTG interface with DMA support and on-chip high-speed PHY (USB0).
 - ◆ One High-speed USB 2.0 Host/Device interface with DMA support, on-chip full-speed PHY and ULPI interface to an external high-speed PHY (USB1).
 - ◆ USB interface electrical test software included in ROM USB stack.
 - ◆ Four 550 UARTs with DMA support: one UART with full modem interface; one UART with IrDA interface; three USARTs support UART synchronous mode and a smart card interface conforming to ISO7816 specification.
 - ◆ Up to two C_CAN 2.0B controllers with one channel each. Use of C_CAN controller excludes operation of all other peripherals connected to the same bus bridge See [Figure 1](#) and [Ref. 1](#).
 - ◆ Two SSP controllers with FIFO and multi-protocol support. Both SSPs with DMA support.
 - ◆ One Fast-mode Plus I²C-bus interface with monitor mode and with open-drain I/O pins conforming to the full I²C-bus specification. Supports data rates of up to 1 Mbit/s.
 - ◆ One standard I²C-bus interface with monitor mode and standard I/O pins.
 - ◆ Two I²S interfaces with DMA support, each with one input and one output.
- Digital peripherals:
 - ◆ External Memory Controller (EMC) supporting external SRAM, ROM, NOR flash, and SDRAM devices.
 - ◆ LCD controller with DMA support and a programmable display resolution of up to 1024H × 768V. Supports monochrome and color STN panels and TFT color panels; supports 1/2/4/8 bpp Color Look-Up Table (CLUT) and 16/24-bit direct pixel mapping.
 - ◆ SD/MMC card interface.
 - ◆ Eight-channel General-Purpose DMA controller can access all memories on the AHB and all DMA-capable AHB slaves.
 - ◆ Up to 164 General-Purpose Input/Output (GPIO) pins with configurable pull-up/pull-down resistors.
 - ◆ GPIO registers are located on the AHB for fast access. GPIO ports have DMA support.

- ◆ Up to eight GPIO pins can be selected from all GPIO pins as edge and level sensitive interrupt sources.
- ◆ Two GPIO group interrupt modules enable an interrupt based on a programmable pattern of input states of a group of GPIO pins.
- ◆ Four general-purpose timer/counters with capture and match capabilities.
- ◆ One motor control PWM for three-phase motor control.
- ◆ One Quadrature Encoder Interface (QEI).
- ◆ Repetitive Interrupt timer (RI timer).
- ◆ Windowed watchdog timer.
- ◆ Ultra-low power Real-Time Clock (RTC) on separate power domain with 256 bytes of battery powered backup registers.
- ◆ Event recorder with three inputs to record event identification and event time; can be battery powered.
- ◆ Alarm timer; can be battery powered.
- Analog peripherals:
 - ◆ One 10-bit DAC with DMA support and a data conversion rate of 400 kSamples/s.
 - ◆ Two 10-bit ADCs with DMA support and a data conversion rate of 400 kSamples/s. Up to eight analog channels total. Each analog input is connected to both ADCs.
- Unique ID for each device.
- Power:
 - ◆ Single 3.3 V (2.2 V to 3.6 V) power supply with on-chip internal voltage regulator for the core supply and the RTC power domain.
 - ◆ RTC power domain can be powered separately by a 3 V battery supply.
 - ◆ Four reduced power modes: Sleep, Deep-sleep, Power-down, and Deep power-down.
 - ◆ Processor wake-up from Sleep mode via wake-up interrupts from various peripherals.
 - ◆ Wake-up from Deep-sleep, Power-down, and Deep power-down modes via external interrupts and interrupts generated by battery powered blocks in the RTC power domain.
 - ◆ Brownout detect with four separate thresholds for interrupt and forced reset.
 - ◆ Power-On Reset (POR).
- Available in LQFP208, LBG256, LQFP144, and TFBGA100 packages.

3. Applications

- Industrial
- Consumer
- White goods
- RFID readers
- e-Metering

4. Ordering information

Table 1. Ordering information

Type number	Package		Version
	Name	Description	
LPC1857FET256	LBGA256	Plastic low profile ball grid array package; 256 balls; body 17 × 17 × 1 mm	SOT740-2
LPC1857JET256	LBGA256	Plastic low profile ball grid array package; 256 balls; body 17 × 17 × 1 mm	SOT740-2
LPC1857JBD208	LQFP208	Plastic low profile quad flat package; 208 leads; body 28 × 28 × 1.4 mm	SOT459-1
LPC1853FET256	LBGA256	Plastic low profile ball grid array package; 256 balls; body 17 × 17 × 1 mm	SOT740-2
LPC1853JET256	LBGA256	Plastic low profile ball grid array package; 256 balls; body 17 × 17 × 1 mm	SOT740-2
LPC1853JBD208	LQFP208	Plastic low profile quad flat package; 208 leads; body 28 × 28 × 1.4 mm	SOT459-1
LPC1837FET256	LBGA256	Plastic low profile ball grid array package; 256 balls; body 17 × 17 × 1 mm	SOT740-2
LPC1837JET256	LBGA256	Plastic low profile ball grid array package; 256 balls; body 17 × 17 × 1 mm	SOT740-2
LPC1837JBD144	LQFP144	Plastic low profile quad flat package; 144 leads; body 20 × 20 × 1.4 mm	SOT486-1
LPC1837JET100	TFBGA100	Plastic thin fine-pitch ball grid array package; 100 balls; body 9 × 9 × 0.7 mm	SOT926-1
LPC1833FET256	LBGA256	Plastic low profile ball grid array package; 256 balls; body 17 × 17 × 1 mm	SOT740-2
LPC1833JET256	LBGA256	Plastic low profile ball grid array package; 256 balls; body 17 × 17 × 1 mm	SOT740-2
LPC1833JBD144	LQFP144	Plastic low profile quad flat package; 144 leads; body 20 × 20 × 1.4 mm	SOT486-1
LPC1833JET100	TFBGA100	Plastic thin fine-pitch ball grid array package; 100 balls; body 9 × 9 × 0.7 mm	SOT926-1
LPC1827JBD144	LQFP144	Plastic low profile quad flat package; 144 leads; body 20 × 20 × 1.4 mm	SOT486-1
LPC1827JET100	TFBGA100	Plastic thin fine-pitch ball grid array package; 100 balls; body 9 × 9 × 0.7 mm	SOT926-1
LPC1825JBD144	LQFP144	Plastic low profile quad flat package; 144 leads; body 20 × 20 × 1.4 mm	SOT486-1
LPC1825JET100	TFBGA100	Plastic thin fine-pitch ball grid array package; 100 balls; body 9 × 9 × 0.7 mm	SOT926-1
LPC1823JBD144	LQFP144	Plastic low profile quad flat package; 144 leads; body 20 × 20 × 1.4 mm	SOT486-1
LPC1823JET100	TFBGA100	Plastic thin fine-pitch ball grid array package; 100 balls; body 9 × 9 × 0.7 mm	SOT926-1
LPC1822JBD144	LQFP144	Plastic low profile quad flat package; 144 leads; body 20 × 20 × 1.4 mm	SOT486-1
LPC1822JET100	TFBGA100	Plastic thin fine-pitch ball grid array package; 100 balls; body 9 × 9 × 0.7 mm	SOT926-1
LPC1817JBD144	LQFP144	Plastic low profile quad flat package; 144 leads; body 20 × 20 × 1.4 mm	SOT486-1
LPC1817JET100	TFBGA100	Plastic thin fine-pitch ball grid array package; 100 balls; body 9 × 9 × 0.7 mm	SOT926-1
LPC1815JBD144	LQFP144	Plastic low profile quad flat package; 144 leads; body 20 × 20 × 1.4 mm	SOT486-1
LPC1815JET100	TFBGA100	Plastic thin fine-pitch ball grid array package; 100 balls; body 9 × 9 × 0.7 mm	SOT926-1
LPC1813JBD144	LQFP144	Plastic low profile quad flat package; 144 leads; body 20 × 20 × 1.4 mm	SOT486-1
LPC1813JET100	TFBGA100	Plastic thin fine-pitch ball grid array package; 100 balls; body 9 × 9 × 0.7 mm	SOT926-1
LPC1812JBD144	LQFP144	Plastic low profile quad flat package; 144 leads; body 20 × 20 × 1.4 mm	SOT486-1
LPC1812JET100	TFBGA100	Plastic thin fine-pitch ball grid array package; 100 balls; body 9 × 9 × 0.7 mm	SOT926-1

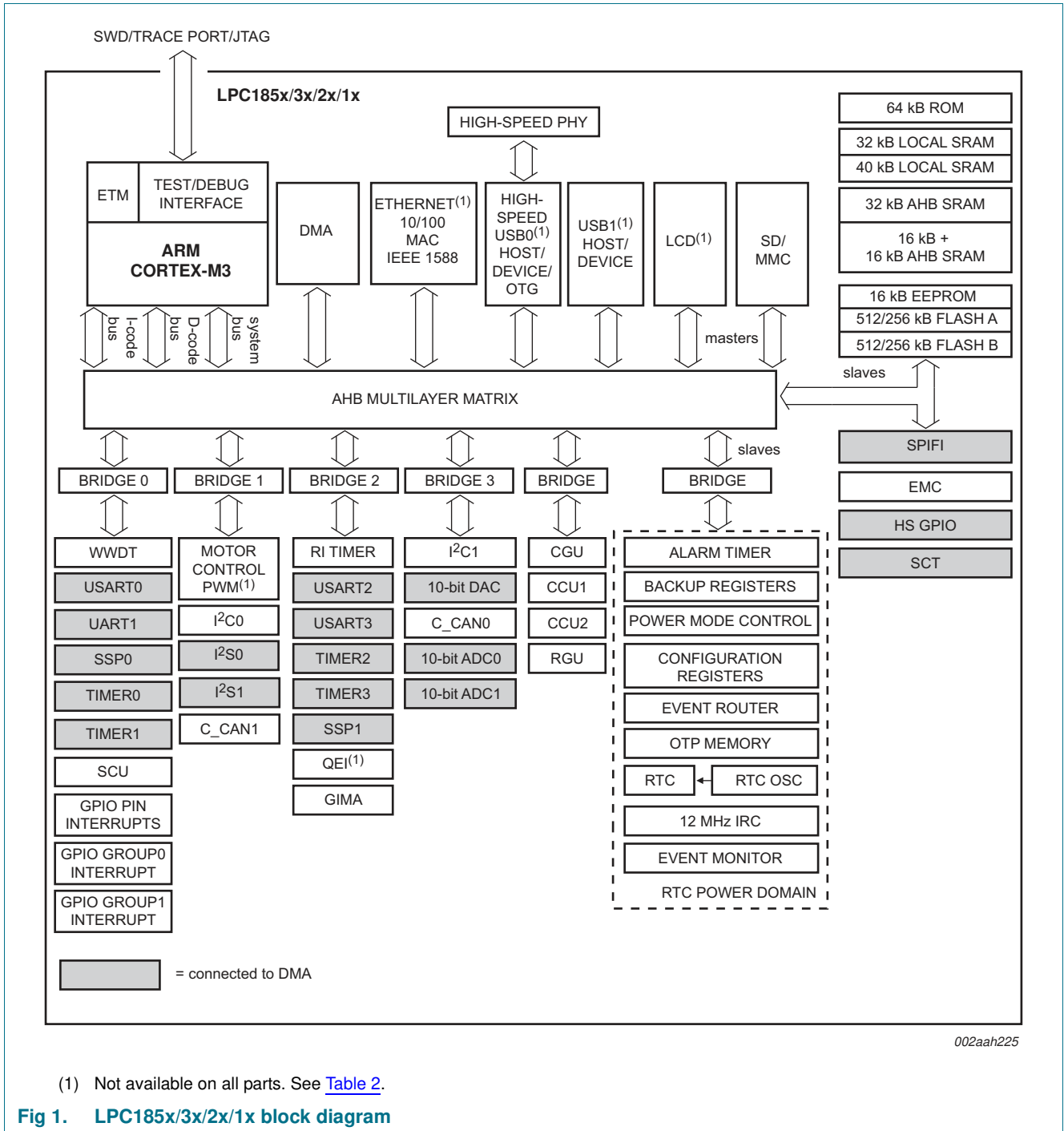
4.1 Ordering options

Table 2. Ordering options

Type number	Flash total	Flash bank A	Flash bank B	Total SRAM	LCD	Ethernet	USB0 (Host, Device, OTG)	USB1 (Host, Device)/ ULPI interface	PWM	QEI	ADC channels	Temperature range ^[1]	GPIO
LPC1857FET256	1 MB	512 kB	512 kB	136 kB	yes	yes	yes	yes/yes	yes	yes	8	F	164
LPC1857JET256	1 MB	512 kB	512 kB	136 kB	yes	yes	yes	yes/yes	yes	yes	8	J	164
LPC1857JBD208	1 MB	512 kB	512 kB	136 kB	yes	yes	yes	yes/yes	yes	yes	8	J	142
LPC1853FET256	512 kB	256 kB	256 kB	136 kB	yes	yes	yes	yes/yes	yes	yes	8	F	164
LPC1853JET256	512 kB	256 kB	256 kB	136 kB	yes	yes	yes	yes/yes	yes	yes	8	J	164
LPC1853JBD208	512 kB	256 kB	256 kB	136 kB	yes	yes	yes	yes/yes	yes	yes	8	J	142
LPC1837FET256	1 MB	512 kB	512 kB	136 kB	no	yes	yes	yes/yes	yes	yes	8	F	164
LPC1837JET256	1 MB	512 kB	512 kB	136 kB	no	yes	yes	yes/yes	yes	yes	8	J	164
LPC1837JBD144	1 MB	512 kB	512 kB	136 kB	no	yes	yes	yes/yes	yes	no	8	J	83
LPC1837JET100	1 MB	512 kB	512 kB	136 kB	no	yes	yes	yes/yes	no	no	4	J	49
LPC1833FET256	512 kB	256 kB	256 kB	136 kB	no	yes	yes	yes/yes	yes	yes	8	F	164
LPC1833JET256	512 kB	256 kB	256 kB	136 kB	no	yes	yes	yes/yes	yes	yes	8	J	164
LPC1833JBD144	512 kB	256 kB	256 kB	136 kB	no	yes	yes	yes/yes	yes	no	8	J	83
LPC1833JET100	512 kB	256 kB	256 kB	136 kB	no	yes	yes	yes/yes	no	no	4	J	49
LPC1827JBD144	1 MB	512 kB	512 kB	136 kB	no	no	yes	no/no	yes	no	8	J	83
LPC1827JET100	1 MB	512 kB	512 kB	136 kB	no	no	yes	no/no	no	no	4	J	49
LPC1825JBD144	768 kB	384 kB	384 kB	136 kB	no	no	yes	no/no	yes	no	8	J	83
LPC1825JET100	768 kB	384 kB	384 kB	136 kB	no	no	yes	no/no	no	no	4	J	49
LPC1823JBD144	512 kB	256 kB	256 kB	104 kB	no	no	yes	no/no	yes	no	8	J	83
LPC1823JET100	512 kB	256 kB	256 kB	104 kB	no	no	yes	no/no	no	no	4	J	49
LPC1822JBD144	512 kB	512 kB	0 kB	104 kB	no	no	yes	no/no	yes	no	8	J	83
LPC1822JET100	512 kB	512 kB	0 kB	104 kB	no	no	yes	no/no	no	no	4	J	49
LPC1817JBD144	1 MB	512 kB	512 kB	136 kB	no	no	no	no/no	yes	no	8	J	83
LPC1817JET100	1 MB	512 kB	512 kB	136 kB	no	no	no	no/no	no	no	4	J	49
LPC1815JBD144	768 kB	384 kB	384 kB	136 kB	no	no	no	no/no	yes	no	8	J	83
LPC1815JET100	768 kB	384 kB	384 kB	136 kB	no	no	no	no/no	no	no	4	J	49
LPC1813JBD144	512 kB	256 kB	256 kB	104 kB	no	no	no	no/no	yes	no	8	J	83
LPC1813JET100	512 kB	256 kB	256 kB	104 kB	no	no	no	no/no	no	no	4	J	49
LPC1812JBD144	512 kB	512 kB	0 kB	104 kB	no	no	no	no/no	yes	no	8	J	83
LPC1812JET100	512 kB	512 kB	0 kB	104 kB	no	no	no	no/no	no	no	4	J	49

[1] J = -40 °C to +105 °C; F = -40 °C to +85 °C.

5. Block diagram

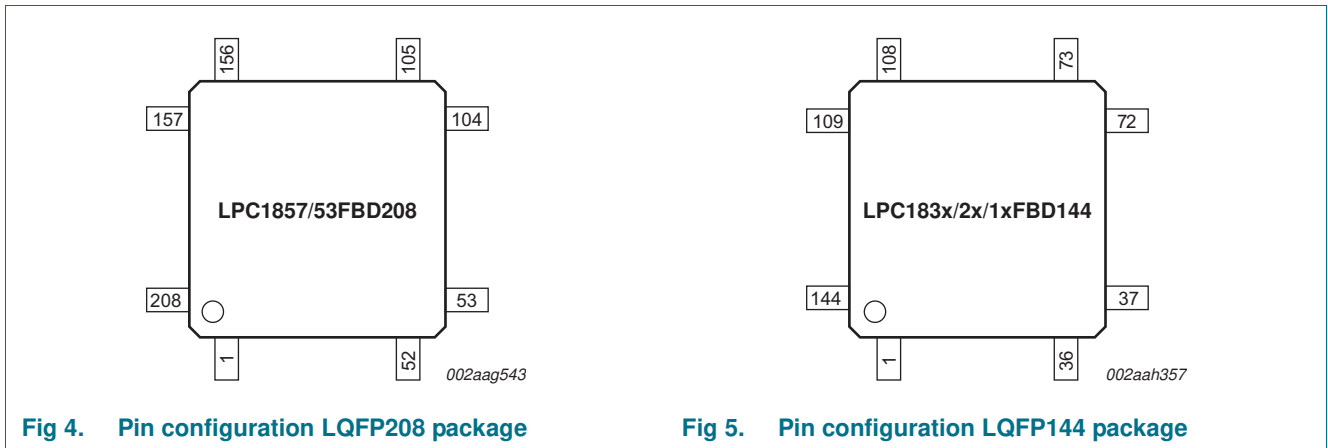
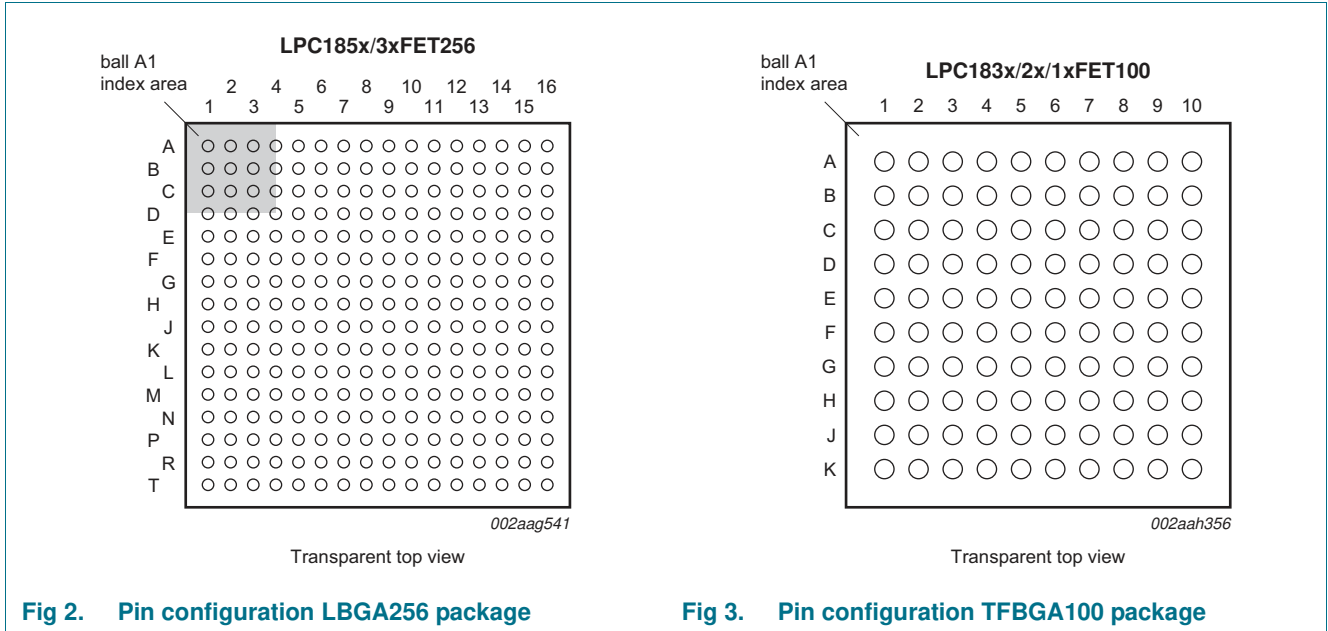


(1) Not available on all parts. See Table 2.

Fig 1. LPC185x/3x/2x/1x block diagram

6. Pinning information

6.1 Pinning



6.2 Pin description

On the LPC185x/3x/2x/1x, digital pins are grouped into 16 ports, named P0 to P9 and PA to PF, with up to 20 pins used per port. Each digital pin can support up to eight different digital functions, including General-Purpose I/O (GPIO), selectable through the SCU registers.

The pin name is not indicative of the GPIO port assigned to it.

Table 3. Pin description

Pin name	LQFP144	LQFP208	Reset state	Type	Description
Multiplexed digital pins					
P0_0	L3	G2	32	47	<p>2 N; PU</p> <p>I/O GPIO0[0] — General purpose digital input/output pin.</p> <p>I/O SSP1_MISO — Master In Slave Out for SSP1.</p> <p>I ENET_RXD1 — Ethernet receive data 1 (RMII/MII interface).</p> <p>- R — Function reserved.</p> <p>- R — Function reserved.</p> <p>- R — Function reserved.</p> <p>I/O I2S0_TX_WS — Transmit Word Select. It is driven by the master and received by the slave. Corresponds to the signal WS in the <i>I²S-bus specification</i>.</p> <p>I/O I2S1_TX_WS — Transmit Word Select. It is driven by the master and received by the slave. Corresponds to the signal WS in the <i>I²S-bus specification</i>.</p>
P0_1	M2	G1	34	50	<p>2 N; PU</p> <p>I/O GPIO0[1] — General purpose digital input/output pin.</p> <p>I/O SSP1_MOSI — Master Out Slave in for SSP1.</p> <p>I ENET_COL — Ethernet Collision detect (MII interface).</p> <p>- R — Function reserved.</p> <p>- R — Function reserved.</p> <p>- R — Function reserved.</p> <p>ENET_TX_EN — Ethernet transmit enable (RMII/MII interface).</p> <p>I/O I2S1_TX_SDA — I²S1 transmit data. It is driven by the transmitter and read by the receiver. Corresponds to the signal SD in the <i>I²S-bus specification</i>.</p>
P1_0	P2	H1	38	54	<p>2 N; PU</p> <p>I/O GPIO0[4] — General purpose digital input/output pin.</p> <p>I CTIN_3 — SCT input 3. Capture input 1 of timer 1.</p> <p>I/O EMC_A5 — External memory address line 5.</p> <p>- R — Function reserved.</p> <p>- R — Function reserved.</p> <p>I/O SSP0_SSEL — Slave Select for SSP0.</p> <p>- R — Function reserved.</p> <p>I/O EMC_D12 — External memory data line 12.</p>

Table 3. Pin description ...continued

Pin name	LPGA256	TFBGA100	LQFP144	LQFP208	Reset state	Type	Description
P1_1	R2	K2	42	58	N; PU	I/O	[2] GPIO0[8] — General purpose digital input/output pin. External boot pin (see Table 5).
							O CTOUT_7 — SCT output 7. Match output 3 of timer 1.
							I/O EMC_A6 — External memory address line 6.
							- R — Function reserved.
							- R — Function reserved.
							I/O SSP0_MISO — Master In Slave Out for SSP0.
							- R — Function reserved.
P1_2	R3	K1	43	60	N; PU	I/O	[2] GPIO0[9] — General purpose digital input/output pin. External boot pin (see Table 5).
							O CTOUT_6 — SCT output 6. Match output 2 of timer 1.
							I/O EMC_A7 — External memory address line 7.
							- R — Function reserved.
							- R — Function reserved.
							I/O SSP0_MOSI — Master Out Slave in for SSP0.
							- R — Function reserved.
P1_3	P5	J1	44	61	N; PU	I/O	[2] GPIO0[10] — General purpose digital input/output pin.
							O CTOUT_8 — SCT output 8. Match output 0 of timer 2.
							- R — Function reserved.
							O EMC_OE — LOW active Output Enable signal.
							O USB0_IND1 — USB0 port indicator LED control output 1.
							I/O SSP1_MISO — Master In Slave Out for SSP1.
							- R — Function reserved.
P1_4	T3	J2	47	64	N; PU	I/O	[2] GPIO0[11] — General purpose digital input/output pin.
							O CTOUT_9 — SCT output 9. Match output 3 of timer 3.
							- R — Function reserved.
							O EMC_BLS0 — LOW active Byte Lane select signal 0.
							O USB0_IND0 — USB0 port indicator LED control output 0.
							I/O SSP1_MOSI — Master Out Slave in for SSP1.
							I/O EMC_D15 — External memory data line 15.
O SD_VOLT1 — SD/MMC bus voltage select output 1.							

Table 3. Pin description ...continued

Pin name	LPGA256	TFBGA100	LQFP144	LQFP208	Reset state	Type	Description
P1_5	R5	J4	48	65	N; PU	I/O	GPIO1[8] — General purpose digital input/output pin.
							O CTOUT_10 — SCT output 10. Match output 3 of timer 3.
							- R — Function reserved.
							O EMC_CS0 — LOW active Chip Select 0 signal.
							I USB0_PWR_FAULT — Port power fault signal indicating overcurrent condition; this signal monitors over-current on the USB bus (external circuitry required to detect over-current condition).
							I/O SSP1_SSEL — Slave Select for SSP1.
P1_6	T4	K4	49	67	N; PU	I/O	GPIO1[9] — General purpose digital input/output pin.
							I CTIN_5 — SCT input 5. Capture input 2 of timer 2.
							- R — Function reserved.
							O EMC_WE — LOW active Write Enable signal.
							- R — Function reserved.
							O EMC_BLS0 — LOW active Byte Lane select signal 0.
P1_7	T5	G4	50	69	N; PU	I/O	GPIO1[0] — General purpose digital input/output pin.
							I U1_DSR — Data Set Ready input for UART1.
							O CTOUT_13 — SCT output 13. Match output 3 of timer 3.
							I/O EMC_D0 — External memory data line 0.
							O USB0_PPWR — VBUS drive signal (towards external charge pump or power management unit); indicates that VBUS must be driven (active HIGH). Add a pull-down resistor to disable the power switch at reset. This signal has opposite polarity compared to the USB_PPWR used on other NXP LPC parts.
							- R — Function reserved.
P1_8	R7	H5	51	71	N; PU	I/O	GPIO1[1] — General purpose digital input/output pin.
							O U1_DTR — Data Terminal Ready output for UART1.
							O CTOUT_12 — SCT output 12. Match output 3 of timer 3.
							I/O EMC_D1 — External memory data line 1.
							- R — Function reserved.
							- R — Function reserved.
O SD_VOLT0 — SD/MMC bus voltage select output 0.							

Table 3. Pin description ...continued

Pin name	LPGA256	TFBGA100	LQFP144	LQFP208		Reset state	Type	Description
P1_9	T7	J5	52	73	[2]	N; PU	I/O	GPIO1[2] — General purpose digital input/output pin.
							O	U1_RTS — Request to Send output for UART1.
							O	CTOUT_11 — SCT output 11. Match output 3 of timer 2.
							I/O	EMC_D2 — External memory data line 2.
							-	R — Function reserved.
P1_10	R8	H6	53	75	[2]	N; PU	I/O	GPIO1[3] — General purpose digital input/output pin.
							I	U1_RI — Ring Indicator input for UART1.
							O	CTOUT_14 — SCT output 14. Match output 2 of timer 3.
							I/O	EMC_D3 — External memory data line 3.
							-	R — Function reserved.
P1_11	T9	J7	55	77	[2]	N; PU	I/O	GPIO1[4] — General purpose digital input/output pin.
							I	U1_CTS — Clear to Send input for UART1.
							O	CTOUT_15 — SCT output 15. Match output 3 of timer 3.
							I/O	EMC_D4 — External memory data line 4.
							-	R — Function reserved.
P1_12	R9	K7	56	78	[2]	N; PU	I/O	GPIO1[5] — General purpose digital input/output pin.
							I	U1_DCD — Data Carrier Detect input for UART1.
							-	R — Function reserved.
							I/O	EMC_D5 — External memory data line 5.
							I	T0_CAP1 — Capture input 1 of timer 0.
-	R — Function reserved.							
-	R — Function reserved.							
I/O	SD_DAT3 — SD/MMC data bus line 3.							

Table 3. Pin description ...continued

Pin name	LPGA256	TFBGA100	LQFP144	LQFP208	Reset state	Type	Description
P1_13	R10	H8	60	83	N; PU	I/O	GPIO1[6] — General purpose digital input/output pin.
							O U1_TXD — Transmitter output for UART1.
							- R — Function reserved.
							I/O EMC_D6 — External memory data line 6.
							I T0_CAP0 — Capture input 0 of timer 0.
							- R — Function reserved.
P1_14	R11	J8	61	85	N; PU	I/O	GPIO1[7] — General purpose digital input/output pin.
							I U1_RXD — Receiver input for UART1.
							- R — Function reserved.
							I/O EMC_D7 — External memory data line 7.
							O T0_MAT2 — Match output 2 of timer 0.
							- R — Function reserved.
P1_15	T12	K8	62	87	N; PU	I/O	GPIO0[2] — General purpose digital input/output pin.
							O U2_TXD — Transmitter output for USART2.
							- R — Function reserved.
							I ENET_RXD0 — Ethernet receive data 0 (RMII/MII interface).
							O T0_MAT1 — Match output 1 of timer 0.
							- R — Function reserved.
P1_16	M7	H9	64	90	N; PU	I/O	GPIO0[3] — General purpose digital input/output pin.
							I U2_RXD — Receiver input for USART2.
							- R — Function reserved.
							I ENET_CRS — Ethernet Carrier Sense (MII interface).
							O T0_MAT0 — Match output 0 of timer 0.
							- R — Function reserved.
P1_16	M7	H9	64	90	N; PU	I/O	EMC_D9 — External memory data line 9.
							I ENET_RX_DV — Ethernet Receive Data Valid (RMII/MII interface).

Table 3. Pin description ...continued

Pin name	LPGA256	TFBGA100	LQFP144	LQFP208	Reset state	Type	Description
P1_17	M8	H10	66	93	N; PU	I/O	GPIO0[12] — General purpose digital input/output pin.
							I/O U2_UCLK — Serial clock input/output for USART2 in synchronous mode.
							- R — Function reserved.
							I/O ENET_MDIO — Ethernet MII data input and output.
							I T0_CAP3 — Capture input 3 of timer 0.
O CAN1_TD — CAN1 transmitter output.							
- R — Function reserved.							
- R — Function reserved.							
P1_18	N12	J10	67	95	N; PU	I/O	GPIO0[13] — General purpose digital input/output pin.
							I/O U2_DIR — RS-485/EIA-485 output enable/direction control for USART2.
							- R — Function reserved.
							O ENET_TXD0 — Ethernet transmit data 0 (RMII/MII interface).
							O T0_MAT3 — Match output 3 of timer 0.
I CAN1_RD — CAN1 receiver input.							
- R — Function reserved.							
I/O EMC_D10 — External memory data line 10.							
P1_19	M11	K9	68	96	N; PU	I	ENET_TX_CLK (ENET_REF_CLK) — Ethernet Transmit Clock (MII interface) or Ethernet Reference Clock (RMII interface).
							I/O SSP1_SCK — Serial clock for SSP1.
							- R — Function reserved.
							- R — Function reserved.
							O CLKOUT — Clock output pin.
							- R — Function reserved.
							O I2S0_RX_MCLK — I ² S receive master clock.
I/O I2S1_TX_SCK — Transmit Clock. It is driven by the master and received by the slave. Corresponds to the signal SCK in the <i>I²S-bus specification</i> .							
P1_20	M10	K10	70	100	N; PU	I/O	GPIO0[15] — General purpose digital input/output pin.
							I/O SSP1_SSEL — Slave Select for SSP1.
							- R — Function reserved.
							O ENET_TXD1 — Ethernet transmit data 1 (RMII/MII interface).
							I T0_CAP2 — Capture input 2 of timer 0.
- R — Function reserved.							
- R — Function reserved.							
I/O EMC_D11 — External memory data line 11.							

Table 3. Pin description ...continued

Pin name	LPGA256	TFBGA100	LQFP144	LQFP208	Reset state	Type	Description
P2_0	T16	G10	75	108	N; PU	-	R — Function reserved.
						O	U0_TXD — Transmitter output for USART0. See Table 4 for ISP mode.
						I/O	EMC_A13 — External memory address line 13.
						O	USB0_PPWR — VBUS drive signal (towards external charge pump or power management unit); indicates that VBUS must be driven (active HIGH). Add a pull-down resistor to disable the power switch at reset. This signal has opposite polarity compared to the USB_PPWR used on other NXP LPC parts.
						I/O	GPIO5[0] — General purpose digital input/output pin.
						-	R — Function reserved.
						I	T3_CAP0 — Capture input 0 of timer 3.
P2_1	N15	G7	81	116	N; PU	-	R — Function reserved.
						I	U0_RXD — Receiver input for USART0. See Table 4 for ISP mode.
						I/O	EMC_A12 — External memory address line 12.
						I	USB0_PWR_FAULT — Port power fault signal indicating overcurrent condition; this signal monitors over-current on the USB bus (external circuitry required to detect over-current condition).
						I/O	GPIO5[1] — General purpose digital input/output pin.
						-	R — Function reserved.
						I	T3_CAP1 — Capture input 1 of timer 3.
P2_2	M15	F5	84	121	N; PU	-	R — Function reserved.
						I/O	U0_UCLK — Serial clock input/output for USART0 in synchronous mode.
						I/O	EMC_A11 — External memory address line 11.
						O	USB0_IND1 — USB0 port indicator LED control output 1.
						I/O	GPIO5[2] — General purpose digital input/output pin.
						I	CTIN_6 — SCT input 6. Capture input 1 of timer 3.
						I	T3_CAP2 — Capture input 2 of timer 3.
O	EMC_CS1 — LOW active Chip Select 1 signal.						

Table 3. Pin description ...continued

Pin name	LBGA256	TFBGA100	LQFP144	LQFP208	Reset state	Type	Description
P2_3	J12	D8	87	127	N; PU	-	R — Function reserved.
						I/O	I2C1_SDA — I ² C1 data input/output (this pin does not use a specialized I ² C pad).
						O	U3_TXD — Transmitter output for USART3. See Table 4 for ISP mode.
						I	CTIN_1 — SCT input 1. Capture input 1 of timer 0. Capture input 1 of timer 2.
						I/O	GPIO5[3] — General purpose digital input/output pin.
						-	R — Function reserved.
						O	T3_MAT0 — Match output 0 of timer 3.
P2_4	K11	D9	88	128	N; PU	-	R — Function reserved.
						I/O	I2C1_SCL — I ² C1 clock input/output (this pin does not use a specialized I ² C pad).
						I	U3_RXD — Receiver input for USART3. See Table 4 for ISP mode.
						I	CTIN_0 — SCT input 0. Capture input 0 of timer 0, 1, 2, 3.
						I/O	GPIO5[4] — General purpose digital input/output pin.
						-	R — Function reserved.
						O	T3_MAT1 — Match output 1 of timer 3.
P2_5	K14	D10	91	131	N; PU	-	R — Function reserved.
						I	CTIN_2 — SCT input 2. Capture input 2 of timer 0.
						I	USB1_VBUS — Monitors the presence of USB1 bus power. Note: This signal must be HIGH for USB reset to occur.
						I	ADCTRIG1 — ADC trigger input 1.
						I/O	GPIO5[5] — General purpose digital input/output pin.
						-	R — Function reserved.
						O	T3_MAT2 — Match output 2 of timer 3.
O	USB0_IND0 — USB0 port indicator LED control output 0.						

Table 3. Pin description ...continued

Pin name	LBGA256	TFBGA100	LQFP144	LQFP208	Reset state [1]	Type	Description
P2_6	K16	G9	95	137	[2] N; PU	-	R — Function reserved.
						I/O	U0_DIR — RS-485/EIA-485 output enable/direction control for USART0.
						I/O	EMC_A10 — External memory address line 10.
						O	USB0_IND0 — USB0 port indicator LED control output 0.
						I/O	GPIO5[6] — General purpose digital input/output pin.
						I	CTIN_7 — SCT input 7.
						I	T3_CAP3 — Capture input 3 of timer 3.
P2_7	H14	C10	96	138	[2] N; PU	O	EMC_BLS1 — LOW active Byte Lane select signal 1.
						I/O	GPIO0[7] — General purpose digital input/output pin. ISP entry pin. If this pin is pulled LOW at reset, the part enters ISP mode or boots from an external source (see Table 4 and Table 5).
						O	CTOUT_1 — SCT output 1. Match output 3 of timer 3.
						I/O	U3_UCLK — Serial clock input/output for USART3 in synchronous mode.
						I/O	EMC_A9 — External memory address line 9.
						-	R — Function reserved.
						-	R — Function reserved.
P2_8	J16	C6	98	140	[2] N; PU	O	T3_MAT3 — Match output 3 of timer 3.
						-	R — Function reserved.
						-	R — Function reserved. External boot pin (see Table 5)
						O	CTOUT_0 — SCT output 0. Match output 0 of timer 0.
						I/O	U3_DIR — RS-485/EIA-485 output enable/direction control for USART3.
						I/O	EMC_A8 — External memory address line 8.
						I/O	GPIO5[7] — General purpose digital input/output pin.
-	R — Function reserved.						
-	R — Function reserved.						
-	R — Function reserved.						
P2_9	H16	B10	102	144	[2] N; PU	I/O	GPIO1[10] — General purpose digital input/output pin. External boot pin (see Table 5).
						O	CTOUT_3 — SCT output 3. Match output 3 of timer 0.
						I/O	U3_BAUD — Baud pin for USART3.
						I/O	EMC_A0 — External memory address line 0.
						-	R — Function reserved.
						-	R — Function reserved.
						-	R — Function reserved.
-	R — Function reserved.						

Table 3. Pin description ...continued

Pin name	LBGA256	TFBGA100	LQFP144	LQFP208	Reset state	Type	Description
P2_10	G16	E8	104	146	N; PU	I/O	GPIO0[14] — General purpose digital input/output pin.
						O	CTOUT_2 — SCT output 2. Match output 2 of timer 0.
						O	U2_TXD — Transmitter output for USART2.
						I/O	EMC_A1 — External memory address line 1.
						-	R — Function reserved.
						-	R — Function reserved.
P2_11	F16	A9	105	148	N; PU	I/O	GPIO1[11] — General purpose digital input/output pin.
						O	CTOUT_5 — SCT output 5. Match output 3 of timer 3.
						I	U2_RXD — Receiver input for USART2.
						I/O	EMC_A2 — External memory address line 2.
						-	R — Function reserved.
						-	R — Function reserved.
P2_12	E15	B9	106	153	N; PU	I/O	GPIO1[12] — General purpose digital input/output pin.
						O	CTOUT_4 — SCT output 4. Match output 3 of timer 3.
						-	R — Function reserved.
						I/O	EMC_A3 — External memory address line 3.
						-	R — Function reserved.
						-	R — Function reserved.
P2_13	C16	A10	108	156	N; PU	I/O	GPIO1[13] — General purpose digital input/output pin.
						I	CTIN_4 — SCT input 4. Capture input 2 of timer 1.
						-	R — Function reserved.
						I/O	EMC_A4 — External memory address line 4.
						-	R — Function reserved.
						-	R — Function reserved.
						I/O	U2_DIR — RS-485/EIA-485 output enable/direction control for USART2.

Table 3. Pin description ...continued

Pin name	LPGA256	TFBGA100	LQFP144	LQFP208	Reset state	Type	Description							
P3_0	F13	A8	112	161	N; PU	I/O	I2S0_RX_SCK — I ² S receive clock. It is driven by the master and received by the slave. Corresponds to the signal SCK in the I ² S-bus specification.							
							O I2S0_RX_MCLK — I ² S receive master clock.							
							I/O I2S0_TX_SCK — Transmit Clock. It is driven by the master and received by the slave. Corresponds to the signal SCK in the I ² S-bus specification.							
							O I2S0_TX_MCLK — I ² S transmit master clock.							
							I/O SSP0_SCK — Serial clock for SSP0.							
							- R — Function reserved.							
P3_1	G11	F7	114	163	N; PU	I/O	I2S0_TX_WS — Transmit Word Select. It is driven by the master and received by the slave. Corresponds to the signal WS in the I ² S-bus specification.							
							I/O I2S0_RX_WS — Receive Word Select. It is driven by the master and received by the slave. Corresponds to the signal WS in the I ² S-bus specification.							
							I CAN0_RD — CAN receiver input.							
							O USB1_IND1 — USB1 Port indicator LED control output 1.							
							I/O GPIO5[8] — General purpose digital input/output pin.							
							- R — Function reserved.							
							O LCD_VD15 — LCD data.							
							- R — Function reserved.							
							P3_2	F11	G6	116	166	OL; PU	I/O	I2S0_TX_SDA — I ² S transmit data. It is driven by the transmitter and read by the receiver. Corresponds to the signal SD in the I ² S-bus specification.
														I/O I2S0_RX_SDA — I ² S Receive data. It is driven by the transmitter and read by the receiver. Corresponds to the signal SD in the I ² S-bus specification.
O CAN0_TD — CAN transmitter output.														
O USB1_IND0 — USB1 Port indicator LED control output 0.														
I/O GPIO5[9] — General purpose digital input/output pin.														
- R — Function reserved.														
O LCD_VD14 — LCD data.														
- R — Function reserved.														

Table 3. Pin description ...continued

Pin name	LPGA256	TFBGA100	LQFP144	LQFP208	Reset state	Type	Description
P3_3	B14	A7	118	169	[4] N; PU	-	R — Function reserved.
						-	R — Function reserved.
						I/O	SSP0_SCK — Serial clock for SSP0.
						O	SPIFI_SCK — Serial clock for SPIFI.
						O	CGU_OUT1 — CGU spare clock output 1.
						-	R — Function reserved.
						O	I2S0_TX_MCLK — I ² S transmit master clock.
P3_4	A15	B8	119	171	[2] N; PU	I/O	GPIO1[14] — General purpose digital input/output pin.
						-	R — Function reserved.
						-	R — Function reserved.
						I/O	SPIFI_SIO3 — I/O lane 3 for SPIFI.
						O	U1_TXD — Transmitter output for UART1.
						I/O	I2S0_TX_WS — Transmit Word Select. It is driven by the master and received by the slave. Corresponds to the signal WS in the I ² S-bus specification.
						I/O	I2S1_RX_SDA — I ² S1 Receive data. It is driven by the transmitter and read by the receiver. Corresponds to the signal SD in the I ² S-bus specification.
P3_5	C12	B7	121	173	[2] N; PU	I/O	GPIO1[15] — General purpose digital input/output pin.
						-	R — Function reserved.
						-	R — Function reserved.
						I/O	SPIFI_SIO2 — I/O lane 2 for SPIFI.
						I	U1_RXD — Receiver input for UART1.
						I/O	I2S0_TX_SDA — I ² S transmit data. It is driven by the transmitter and read by the receiver. Corresponds to the signal SD in the I ² S-bus specification.
						I/O	I2S1_RX_WS — Receive Word Select. It is driven by the master and received by the slave. Corresponds to the signal WS in the I ² S-bus specification.
O	LCD_VD12 — LCD data.						

Table 3. Pin description ...continued

Pin name	LBGA256	TFBGA100	LQFP144	LQFP208	Reset state	Type	Description
P3_6	B13	C7	122	174	N; PU	I/O	GPIO0[6] — General purpose digital input/output pin.
							- R — Function reserved.
							I/O SSP0_SSEL — Slave Select for SSP0.
							I/O SPIFI_MISO — Input 1 in SPIFI quad mode; SPIFI output IO1.
							- R — Function reserved.
							I/O SSP0_MISO — Master In Slave Out for SSP0.
P3_7	C11	D7	123	176	N; PU	I/O	- R — Function reserved.
							- R — Function reserved.
							I/O SSP0_MISO — Master In Slave Out for SSP0.
							I/O SPIFI_MOSI — Input 0 in SPIFI quad mode; SPIFI output IO0.
							I/O GPIO5[10] — General purpose digital input/output pin.
							I/O SSP0_MOSI — Master Out Slave in for SSP0.
P3_8	C10	E7	124	179	N; PU	I/O	- R — Function reserved.
							- R — Function reserved.
							I/O SSP0_MOSI — Master Out Slave in for SSP0.
							I/O SPIFI_CS — SPIFI serial flash chip select.
							I/O GPIO5[11] — General purpose digital input/output pin.
							I/O SSP0_SSEL — Slave Select for SSP0.
P4_0	D5	-	1	1	N; PU	I/O	GPIO2[0] — General purpose digital input/output pin.
							O MCOA0 — Motor control PWM channel 0, output A.
							I NMI — External interrupt input to NMI.
							- R — Function reserved.
							- R — Function reserved.
							O LCD_VD13 — LCD data.
I/O	U3_UCLK — Serial clock input/output for USART3 in synchronous mode.						
	- R — Function reserved.						

Table 3. Pin description ...continued

Pin name	LPGA256	TFBGA100	LQFP144	LQFP208	Reset state	Type	Description
P4_1	A1	-	3	3	[5] N; PU	I/O	GPIO2[1] — General purpose digital input/output pin.
							O CTOUT_1 — SCT output 1. Match output 3 of timer 3.
							O LCD_VD0 — LCD data.
							- R — Function reserved.
							- R — Function reserved.
							O LCD_VD19 — LCD data.
							O U3_TXD — Transmitter output for USART3.
							I ENET_COL — Ethernet Collision detect (MII interface).
							AI ADC0_1 — ADC0 and ADC1, input channel 1. Configure the pin as GPIO input and use the ADC function select register in the SCU to select the ADC.
							P4_2
O CTOUT_0 — SCT output 0. Match output 0 of timer 0.							
O LCD_VD3 — LCD data.							
- R — Function reserved.							
- R — Function reserved.							
O LCD_VD12 — LCD data.							
I U3_RXD — Receiver input for USART3.							
P4_3	C2	-	7	10	[5] N; PU	I/O	GPIO2[3] — General purpose digital input/output pin.
							O CTOUT_3 — SCT output 3. Match output 3 of timer 0.
							O LCD_VD2 — LCD data.
							- R — Function reserved.
							- R — Function reserved.
							O LCD_VD21 — LCD data.
							I/O U3_BAUD — Baud pin for USART3.
							- R — Function reserved.
							AI ADC0_0 — ADC0 and ADC1, input channel 0. Configure the pin as GPIO input and use the ADC function select register in the SCU to select the ADC.

Table 3. Pin description ...continued

Pin name	LPGA256	TFBGA100	LQFP144	LQFP208	Reset state	Type	Description
P4_4	B1	-	9	14	[5] N; PU	I/O	GPIO2[4] — General purpose digital input/output pin.
							O CTOUT_2 — SCT output 2. Match output 2 of timer 0.
							O LCD_VD1 — LCD data.
							- R — Function reserved.
							- R — Function reserved.
							O LCD_VD20 — LCD data.
							I/O U3_DIR — RS-485/EIA-485 output enable/direction control for USART3.
							- R — Function reserved.
P4_5	D2	-	10	15	[2] N; PU	I/O	GPIO2[5] — General purpose digital input/output pin.
							O CTOUT_5 — SCT output 5. Match output 3 of timer 3.
							O LCD_FP — Frame pulse (STN). Vertical synchronization pulse (TFT).
							- R — Function reserved.
							- R — Function reserved.
							- R — Function reserved.
							- R — Function reserved.
							- R — Function reserved.
P4_6	C1	-	11	17	[2] N; PU	I/O	GPIO2[6] — General purpose digital input/output pin.
							O CTOUT_4 — SCT output 4. Match output 3 of timer 3.
							O LCD_ENAB/LCDM — STN AC bias drive or TFT data enable input.
							- R — Function reserved.
							- R — Function reserved.
							- R — Function reserved.
							- R — Function reserved.
							- R — Function reserved.

Table 3. Pin description ...continued

Pin name	LPGA256	TFBGA100	LQFP144	LQFP208	Reset state	Type	Description
P4_7	H4	-	14	21	[2] O; PU	O	LCD_DCLK — LCD panel clock.
						I	GP_CLKIN — General-purpose clock input to the CGU.
						-	R — Function reserved.
						-	R — Function reserved.
						-	R — Function reserved.
P4_8	E2	-	15	23	[2] N; PU	I/O	I2S1_TX_SCK — Transmit Clock. It is driven by the master and received by the slave. Corresponds to the signal SCK in the I ² S-bus specification.
						I/O	I2S0_TX_SCK — Transmit Clock. It is driven by the master and received by the slave. Corresponds to the signal SCK in the I ² S-bus specification.
						-	R — Function reserved.
						I	CTIN_5 — SCT input 5. Capture input 2 of timer 2.
						O	LCD_VD9 — LCD data.
P4_9	L2	-	33	48	[2] N; PU	-	R — Function reserved.
						O	LCD_VD22 — LCD data.
						I/O	GPIO5[12] — General purpose digital input/output pin.
						O	CAN1_TD — CAN1 transmitter output.
						-	R — Function reserved.
P4_10	M3	-	35	51	[2] N; PU	I/O	GPIO5[13] — General purpose digital input/output pin.
						O	LCD_VD15 — LCD data.
						I	CAN1_RD — CAN1 receiver input.
						-	R — Function reserved.
						-	R — Function reserved.
P4_10	M3	-	35	51	[2] N; PU	-	R — Function reserved.
						I	CTIN_2 — SCT input 2. Capture input 2 of timer 0.
						O	LCD_VD10 — LCD data.
						-	R — Function reserved.
						I/O	GPIO5[14] — General purpose digital input/output pin.
-	R — Function reserved.						
-	R — Function reserved.						

Table 3. Pin description ...continued

Pin name	LPGA256	TFBGA100	LQFP144	LQFP208	Reset state	Type	Description
P5_0	N3	-	37	53	[2] N; PU	I/O	GPIO2[9] — General purpose digital input/output pin.
						O	MCOB2 — Motor control PWM channel 2, output B.
						I/O	EMC_D12 — External memory data line 12.
						-	R — Function reserved.
						I	U1_DSR — Data Set Ready input for UART1.
						I	T1_CAP0 — Capture input 0 of timer 1.
						-	R — Function reserved.
P5_1	P3	-	39	55	[2] N; PU	I/O	GPIO2[10] — General purpose digital input/output pin.
						I	MCI2 — Motor control PWM channel 2, input.
						I/O	EMC_D13 — External memory data line 13.
						-	R — Function reserved.
						O	U1_DTR — Data Terminal Ready output for UART1. Can also be configured to be an RS-485/EIA-485 output enable signal for UART1.
						I	T1_CAP1 — Capture input 1 of timer 1.
						-	R — Function reserved.
P5_2	R4	-	46	63	[2] N; PU	I/O	GPIO2[11] — General purpose digital input/output pin.
						I	MCI1 — Motor control PWM channel 1, input.
						I/O	EMC_D14 — External memory data line 14.
						-	R — Function reserved.
						O	U1_RTS — Request to Send output for UART1. Can also be configured to be an RS-485/EIA-485 output enable signal for UART1.
						I	T1_CAP2 — Capture input 2 of timer 1.
						-	R — Function reserved.
P5_3	T8	-	54	76	[2] N; PU	I/O	GPIO2[12] — General purpose digital input/output pin.
						I	MCI0 — Motor control PWM channel 0, input.
						I/O	EMC_D15 — External memory data line 15.
						-	R — Function reserved.
						I	U1_RI — Ring Indicator input for UART1.
						I	T1_CAP3 — Capture input 3 of timer 1.
						-	R — Function reserved.

Table 3. Pin description ...continued

Pin name	LPGA256	TFBGA100	LQFP144	LQFP208	Reset state	Type	Description
P5_4	P9	-	57	80	[2] N; PU	I/O O I/O - I O - -	<p>GPIO2[13] — General purpose digital input/output pin.</p> <p>MCOB0 — Motor control PWM channel 0, output B.</p> <p>EMC_D8 — External memory data line 8.</p> <p>R — Function reserved.</p> <p>U1_CTS — Clear to Send input for UART1.</p> <p>T1_MAT0 — Match output 0 of timer 1.</p> <p>R — Function reserved.</p> <p>R — Function reserved.</p>
P5_5	P10	-	58	81	[2] N; PU	I/O O I/O - I O - -	<p>GPIO2[14] — General purpose digital input/output pin.</p> <p>MCOA1 — Motor control PWM channel 1, output A.</p> <p>EMC_D9 — External memory data line 9.</p> <p>R — Function reserved.</p> <p>U1_DCD — Data Carrier Detect input for UART1.</p> <p>T1_MAT1 — Match output 1 of timer 1.</p> <p>R — Function reserved.</p> <p>R — Function reserved.</p>
P5_6	T13	-	63	89	[2] N; PU	I/O O I/O - O O - -	<p>GPIO2[15] — General purpose digital input/output pin.</p> <p>MCOB1 — Motor control PWM channel 1, output B.</p> <p>EMC_D10 — External memory data line 10.</p> <p>R — Function reserved.</p> <p>U1_TXD — Transmitter output for UART1.</p> <p>T1_MAT2 — Match output 2 of timer 1.</p> <p>R — Function reserved.</p> <p>R — Function reserved.</p>
P5_7	R12	-	65	91	[2] N; PU	I/O O I/O - I O - -	<p>GPIO2[7] — General purpose digital input/output pin.</p> <p>MCOA2 — Motor control PWM channel 2, output A.</p> <p>EMC_D11 — External memory data line 11.</p> <p>R — Function reserved.</p> <p>U1_RXD — Receiver input for UART1.</p> <p>T1_MAT3 — Match output 3 of timer 1.</p> <p>R — Function reserved.</p> <p>R — Function reserved.</p>

Table 3. Pin description ...continued

Pin name	LBGA256	TFBGA100	LQFP144	LQFP208	Reset state	Type	Description
P6_0	M12	H7	73	105	N; PU	-	R — Function reserved.
						O	I2S0_RX_MCLK — I2S receive master clock.
						-	R — Function reserved.
						-	R — Function reserved.
						I/O	I2S0_RX_SCK — Receive Clock. It is driven by the master and received by the slave. Corresponds to the signal SCK in the I2S-bus specification.
						-	R — Function reserved.
						-	R — Function reserved.
P6_1	R15	G5	74	107	N; PU	I/O	GPIO3[0] — General purpose digital input/output pin.
						O	EMC_DYCS1 — SDRAM chip select 1.
						I/O	U0_UCLK — Serial clock input/output for USART0 in synchronous mode.
						I/O	I2S0_RX_WS — Receive Word Select. It is driven by the master and received by the slave. Corresponds to the signal WS in the I2S-bus specification.
						-	R — Function reserved.
						I	T2_CAP0 — Capture input 2 of timer 2.
						-	R — Function reserved.
P6_2	L13	J9	78	111	N; PU	I/O	GPIO3[1] — General purpose digital input/output pin.
						O	EMC_CKEOUT1 — SDRAM clock enable 1.
						I/O	U0_DIR — RS-485/EIA-485 output enable/direction control for USART0.
						I/O	I2S0_RX_SDA — I2S Receive data. It is driven by the transmitter and read by the receiver. Corresponds to the signal SD in the I2S-bus specification.
						-	R — Function reserved.
						I	T2_CAP1 — Capture input 1 of timer 2.
						-	R — Function reserved.

Table 3. Pin description ...continued

Pin name	LPGA256	TFBGA100	LQFP144	LQFP208		Reset state	Type	Description
P6_3	P15	-	79	113	[2]	N; PU	I/O	GPIO3[2] — General purpose digital input/output pin.
							O	USB0_PPWR — VBUS drive signal (towards external charge pump or power management unit); indicates that VBUS must be driven (active HIGH). Add a pull-down resistor to disable the power switch at reset. This signal has opposite polarity compared to the USB_PPWR used on other NXP LPC parts.
							-	R — Function reserved.
							O	EMC_CS1 — LOW active Chip Select 1 signal.
							-	R — Function reserved.
P6_4	R16	F6	80	114	[2]	N; PU	I/O	GPIO3[3] — General purpose digital input/output pin.
							I	CTIN_6 — SCT input 6. Capture input 1 of timer 3.
							O	U0_TXD — Transmitter output for USART0.
							O	EMC_CAS — LOW active SDRAM Column Address Strobe.
							-	R — Function reserved.
P6_5	P16	F9	82	117	[2]	N; PU	I/O	GPIO3[4] — General purpose digital input/output pin.
							O	CTOUT_6 — SCT output 6. Match output 2 of timer 1.
							I	U0_RXD — Receiver input for USART0.
							O	EMC_RAS — LOW active SDRAM Row Address Strobe.
							-	R — Function reserved.
P6_6	L14	-	83	119	[2]	N; PU	I/O	GPIO0[5] — General purpose digital input/output pin.
							O	EMC_BLS1 — LOW active Byte Lane select signal 1.
							-	R — Function reserved.
							I	USB0_PWR_FAULT — Port power fault signal indicating overcurrent condition; this signal monitors over-current on the USB bus (external circuitry required to detect over-current condition).
							-	R — Function reserved.
P6_6	L14	-	83	119	[2]	N; PU	I	T2_CAP3 — Capture input 3 of timer 2.
							-	R — Function reserved.
							-	R — Function reserved.
							-	R — Function reserved.
							-	R — Function reserved.

Table 3. Pin description ...continued

Pin name	LPGA256	TFBGA100	LQFP144	LQFP208		Reset state	Type	Description
P6_7	J13	-	85	123	[2]	N; PU	-	R — Function reserved.
							I/O	EMC_A15 — External memory address line 15.
							-	R — Function reserved.
							O	USB0_IND1 — USB0 port indicator LED control output 1.
							I/O	GPIO5[15] — General purpose digital input/output pin.
							O	T2_MAT0 — Match output 0 of timer 2.
							-	R — Function reserved.
P6_8	H13	-	86	125	[2]	N; PU	-	R — Function reserved.
							I/O	EMC_A14 — External memory address line 14.
							-	R — Function reserved.
							O	USB0_IND0 — USB0 port indicator LED control output 0.
							I/O	GPIO5[16] — General purpose digital input/output pin.
							O	T2_MAT1 — Match output 1 of timer 2.
							-	R — Function reserved.
P6_9	J15	F8	97	139	[2]	N; PU	I/O	GPIO3[5] — General purpose digital input/output pin.
							-	R — Function reserved.
							-	R — Function reserved.
							O	EMC_DYCS0 — SDRAM chip select 0.
							-	R — Function reserved.
							O	T2_MAT2 — Match output 2 of timer 2.
							-	R — Function reserved.
P6_10	H15	-	100	142	[2]	N; PU	I/O	GPIO3[6] — General purpose digital input/output pin.
							O	MCABORT — Motor control PWM, LOW-active fast abort.
							-	R — Function reserved.
							O	EMC_DQMOUT1 — Data mask 1 used with SDRAM and static devices.
							-	R — Function reserved.
							-	R — Function reserved.
							-	R — Function reserved.

Table 3. Pin description ...continued

Pin name	LPGA256	TFBGA100	LQFP144	LQFP208		Reset state	Type	Description
P6_11	H12	C9	101	143	[2]	N; PU	I/O	<p>GPIO3[7] — General purpose digital input/output pin.</p> <ul style="list-style-type: none"> - R — Function reserved. - R — Function reserved. <p>EMC_CKEOUT0 — SDRAM clock enable 0.</p> <ul style="list-style-type: none"> - R — Function reserved. <p>T2_MAT3 — Match output 3 of timer 2.</p> <ul style="list-style-type: none"> - R — Function reserved. - R — Function reserved.
P6_12	G15	-	103	145	[2]	N; PU	I/O	<p>GPIO2[8] — General purpose digital input/output pin.</p> <p>CTOUT_7 — SCT output 7. Match output 3 of timer 1.</p> <ul style="list-style-type: none"> - R — Function reserved. <p>EMC_DQMOUT0 — Data mask 0 used with SDRAM and static devices.</p> <ul style="list-style-type: none"> - R — Function reserved. - R — Function reserved. - R — Function reserved. - R — Function reserved.
P7_0	B16	-	110	158	[2]	N; PU	I/O	<p>GPIO3[8] — General purpose digital input/output pin.</p> <p>CTOUT_14 — SCT output 14. Match output 2 of timer 3.</p> <ul style="list-style-type: none"> - R — Function reserved. <p>LCD_LE — Line end signal.</p> <ul style="list-style-type: none"> - R — Function reserved. - R — Function reserved. - R — Function reserved. - R — Function reserved.
P7_1	C14	-	113	162	[2]	N; PU	I/O	<p>GPIO3[9] — General purpose digital input/output pin.</p> <p>CTOUT_15 — SCT output 15. Match output 3 of timer 3.</p> <p>I2S0_TX_WS — Transmit Word Select. It is driven by the master and received by the slave. Corresponds to the signal WS in the <i>I²S-bus specification</i>.</p> <p>LCD_VD19 — LCD data.</p> <p>LCD_VD7 — LCD data.</p> <ul style="list-style-type: none"> - R — Function reserved. <p>U2_TXD — Transmitter output for USART2.</p> <ul style="list-style-type: none"> - R — Function reserved.

Table 3. Pin description ...continued

Pin name	LPGA256	TFBGA100	LQFP144	LQFP208	Reset state	Type	Description
P7_2	A16	-	115	165	N; PU	I/O	GPIO3[10] — General purpose digital input/output pin.
							I CTIN_4 — SCT input 4. Capture input 2 of timer 1.
							I/O I2S0_TX_SDA — I ² S transmit data. It is driven by the transmitter and read by the receiver. Corresponds to the signal SD in the <i>I²S-bus specification</i> .
							O LCD_VD18 — LCD data.
							O LCD_VD6 — LCD data.
							- R — Function reserved.
							I U2_RXD — Receiver input for USART2.
							- R — Function reserved.
P7_3	C13	-	117	167	N; PU	I/O	GPIO3[11] — General purpose digital input/output pin.
							I CTIN_3 — SCT input 3. Capture input 1 of timer 1.
							- R — Function reserved.
							O LCD_VD17 — LCD data.
							O LCD_VD5 — LCD data.
							- R — Function reserved.
							- R — Function reserved.
							- R — Function reserved.
P7_4	C8	-	132	189	N; PU	I/O	GPIO3[12] — General purpose digital input/output pin.
							O CTOUT_13 — SCT output 13. Match output 3 of timer 3.
							- R — Function reserved.
							O LCD_VD16 — LCD data.
							O LCD_VD4 — LCD data.
							O TRACEDATA[0] — Trace data, bit 0.
							- R — Function reserved.
							- R — Function reserved.
							AI ADC0_4 — ADC0 and ADC1, input channel 4. Configure the pin as GPIO input and use the ADC function select register in the SCU to select the ADC.

Table 3. Pin description ...continued

Pin name	LPGA256	TFBGA100	LQFP144	LQFP208	Reset state	Type	Description
P7_5	A7	-	133	191	[5] N; PU	I/O	GPIO3[13] — General purpose digital input/output pin.
							O CTOUT_12 — SCT output 12. Match output 3 of timer 3.
							- R — Function reserved.
							O LCD_VD8 — LCD data.
							O LCD_VD23 — LCD data.
							O TRACEDATA[1] — Trace data, bit 1.
							- R — Function reserved.
							- R — Function reserved.
							AI ADC0_3 — ADC0 and ADC1, input channel 3. Configure the pin as GPIO input and use the ADC function select register in the SCU to select the ADC.
							P7_6
O CTOUT_11 — SCT output 1. Match output 3 of timer 2.							
- R — Function reserved.							
O LCD_LP — Line synchronization pulse (STN). Horizontal synchronization pulse (TFT).							
- R — Function reserved.							
O TRACEDATA[2] — Trace data, bit 2.							
- R — Function reserved.							
- R — Function reserved.							
P7_7	B6	-	140	201	[5] N; PU	I/O	GPIO3[15] — General purpose digital input/output pin.
							O CTOUT_8 — SCT output 8. Match output 0 of timer 2.
							- R — Function reserved.
							O LCD_PWR — LCD panel power enable.
							- R — Function reserved.
							O TRACEDATA[3] — Trace data, bit 3.
							O ENET_MDC — Ethernet MIIM clock.
							- R — Function reserved.
							AI ADC1_6 — ADC1 and ADC0, input channel 6. Configure the pin as GPIO input and use the ADC function select register in the SCU to select the ADC.

Table 3. Pin description ...continued

Pin name	LPGA256	TFBGA100	LQFP144	LQFP208	Reset state	Type	Description
P8_0	E5	-	-	2	[3] N; PU	I/O	GPIO4[0] — General purpose digital input/output pin.
							I USB0_PWR_FAULT — Port power fault signal indicating overcurrent condition; this signal monitors over-current on the USB bus (external circuitry required to detect over-current condition).
							- R — Function reserved.
							I MCI2 — Motor control PWM channel 2, input.
							- R — Function reserved.
							- R — Function reserved.
P8_1	H5	-	-	34	[3] N; PU	I/O	GPIO4[1] — General purpose digital input/output pin.
							O USB0_IND1 — USB0 port indicator LED control output 1.
							- R — Function reserved.
							I MCI1 — Motor control PWM channel 1, input.
							- R — Function reserved.
							- R — Function reserved.
P8_2	K4	-	-	36	[3] N; PU	I/O	GPIO4[2] — General purpose digital input/output pin.
							O USB0_IND0 — USB0 port indicator LED control output 0.
							- R — Function reserved.
							I MCI0 — Motor control PWM channel 0, input.
							- R — Function reserved.
							- R — Function reserved.
P8_3	J3	-	-	37	[2] N; PU	I/O	GPIO4[3] — General purpose digital input/output pin.
							I/O USB1_ULPI_D2 — ULPI link bidirectional data line 2.
							- R — Function reserved.
							O LCD_VD12 — LCD data.
							O LCD_VD19 — LCD data.
							- R — Function reserved.
- R — Function reserved.							
							O T0_MAT3 — Match output 3 of timer 0.

Table 3. Pin description ...continued

Pin name	LPGA256	TFBGA100	LQFP144	LQFP208	Reset state	Type	Description
P8_4	J2	-	-	39	N; PU	I/O	2 GPIO4[4] — General purpose digital input/output pin.
							I/O USB1_ULPI_D1 — ULPI link bidirectional data line 1.
							- R — Function reserved.
							O LCD_VD7 — LCD data.
							O LCD_VD16 — LCD data.
							- R — Function reserved.
							- R — Function reserved.
P8_5	J1	-	-	40	N; PU	I/O	2 GPIO4[5] — General purpose digital input/output pin.
							I/O USB1_ULPI_D0 — ULPI link bidirectional data line 0.
							- R — Function reserved.
							O LCD_VD6 — LCD data.
							O LCD_VD8 — LCD data.
							- R — Function reserved.
							- R — Function reserved.
P8_6	K3	-	-	43	N; PU	I/O	2 GPIO4[6] — General purpose digital input/output pin.
							I USB1_ULPI_NXT — ULPI link NXT signal. Data flow control signal from the PHY.
							- R — Function reserved.
							O LCD_VD5 — LCD data.
							O LCD_LP — Line synchronization pulse (STN). Horizontal synchronization pulse (TFT).
							- R — Function reserved.
							- R — Function reserved.
P8_7	K1	-	-	45	N; PU	I/O	2 GPIO4[7] — General purpose digital input/output pin.
							O USB1_ULPI_STP — ULPI link STP signal. Asserted to end or interrupt transfers to the PHY.
							- R — Function reserved.
							O LCD_VD4 — LCD data.
							O LCD_PWR — LCD panel power enable.
							- R — Function reserved.
							- R — Function reserved.
I T0_CAP3 — Capture input 3 of timer 0.							

Table 3. Pin description ...continued

Pin name	LPGA256	TFBGA100	LQFP144	LQFP208	Reset state	Type	Description
P8_8	L1	-	-	49	N; PU	-	R — Function reserved.
						I	USB1_ULPI_CLK — ULPI link CLK signal. 60 MHz clock generated by the PHY.
						-	R — Function reserved.
						-	R — Function reserved.
						-	R — Function reserved.
						O	CGU_OUT0 — CGU spare clock output 0.
						O	I2S1_TX_MCLK — I2S1 transmit master clock.
P9_0	T1	-	-	59	N; PU	I/O	GPIO4[12] — General purpose digital input/output pin.
						O	MCABORT — Motor control PWM, LOW-active fast abort.
						-	R — Function reserved.
						-	R — Function reserved.
						-	R — Function reserved.
						I	ENET_CRS — Ethernet Carrier Sense (MII interface).
						I/O	SSP0_SSEL — Slave Select for SSP0.
P9_1	N6	-	-	66	N; PU	I/O	GPIO4[13] — General purpose digital input/output pin.
						O	MCOA2 — Motor control PWM channel 2, output A.
						-	R — Function reserved.
						-	R — Function reserved.
						I/O	I2S0_TX_WS — Transmit Word Select. It is driven by the master and received by the slave. Corresponds to the signal WS in the I2S-bus specification.
						I	ENET_RX_ER — Ethernet receive error (MII interface).
						I/O	SSP0_MISO — Master In Slave Out for SSP0.
P9_2	N8	-	-	70	N; PU	I/O	GPIO4[14] — General purpose digital input/output pin.
						O	MCOB2 — Motor control PWM channel 2, output B.
						-	R — Function reserved.
						-	R — Function reserved.
						I/O	I2S0_TX_SDA — I2S transmit data. It is driven by the transmitter and read by the receiver. Corresponds to the signal SD in the I2S-bus specification.
						I	ENET_RXD3 — Ethernet receive data 3 (MII interface).
						I/O	SSP0_MOSI — Master Out Slave in for SSP0.

Table 3. Pin description ...continued

Pin name	LBGA256	TFBGA100	LQFP144	LQFP208	Reset state	Type	Description
P9_3	M6	-	-	79	N; PU	I/O	GPIO4[15] — General purpose digital input/output pin.
						O	MCOA0 — Motor control PWM channel 0, output A.
						O	USB1_IND1 — USB1 Port indicator LED control output 1.
						-	R — Function reserved.
						-	R — Function reserved.
						I	ENET_RXD2 — Ethernet receive data 2 (MII interface).
						O	U3_TXD — Transmitter output for USART3.
P9_4	N10	-	-	92	N; PU	-	R — Function reserved.
						O	MCOB0 — Motor control PWM channel 0, output B.
						O	USB1_IND0 — USB1 Port indicator LED control output 0.
						-	R — Function reserved.
						I/O	GPIO5[17] — General purpose digital input/output pin.
						O	ENET_TXD2 — Ethernet transmit data 2 (MII interface).
						-	R — Function reserved.
P9_5	M9	-	69	98	N; PU	I	U3_RXD — Receiver input for USART3.
						-	R — Function reserved.
						O	MCOA1 — Motor control PWM channel 1, output A.
						O	USB1_PPWR — VBUS drive signal (towards external charge pump or power management unit); indicates that VBUS must be driven (active HIGH). Add a pull-down resistor to disable the power switch at reset. This signal has opposite polarity compared to the USB_PPWR used on other NXP LPC parts.
						-	R — Function reserved.
						I/O	GPIO5[18] — General purpose digital input/output pin.
						O	ENET_TXD3 — Ethernet transmit data 3 (MII interface).
P9_6	L11	-	72	103	N; PU	-	R — Function reserved.
						O	U0_TXD — Transmitter output for USART0.
						I/O	GPIO4[11] — General purpose digital input/output pin.
						O	MCOB1 — Motor control PWM channel 1, output B.
						I	USB1_PWR_FAULT — USB1 Port power fault signal indicating over-current condition; this signal monitors over-current on the USB1 bus (external circuitry required to detect over-current condition).
						-	R — Function reserved.
						-	R — Function reserved.
I	ENET_COL — Ethernet Collision detect (MII interface).						
-	R — Function reserved.						
I	U0_RXD — Receiver input for USART0.						

Table 3. Pin description ...continued

Pin name	LBGA256	TFBGA100	LQFP144	LQFP208	Reset state	Type	Description
PA_0	L12	-	-	126	N; PU		- R — Function reserved.
							- R — Function reserved.
							- R — Function reserved.
							- R — Function reserved.
							- R — Function reserved.
							O I2S1_RX_MCLK — I2S1 receive master clock.
							O CGU_OUT1 — CGU spare clock output 1.
PA_1	J14	-	-	134	N; PU		I/O GPIO4[8] — General purpose digital input/output pin.
							I QEI_IDX — Quadrature Encoder Interface INDEX input.
							- R — Function reserved.
							O U2_TXD — Transmitter output for USART2.
							- R — Function reserved.
							- R — Function reserved.
							- R — Function reserved.
PA_2	K15	-	-	136	N; PU		I/O GPIO4[9] — General purpose digital input/output pin.
							I QEI_PHB — Quadrature Encoder Interface PHB input.
							- R — Function reserved.
							I U2_RXD — Receiver input for USART2.
							- R — Function reserved.
							- R — Function reserved.
							- R — Function reserved.
PA_3	H11	-	-	147	N; PU		I/O GPIO4[10] — General purpose digital input/output pin.
							I QEI_PHA — Quadrature Encoder Interface PHA input.
							- R — Function reserved.
							- R — Function reserved.
							- R — Function reserved.
							- R — Function reserved.
							- R — Function reserved.

Table 3. Pin description ...continued

Pin name	LPGA256	TFBGA100	LQFP144	LQFP208	Reset state	Type	Description
PA_4	G13	-	-	151	N; PU	-	R — Function reserved.
						O	CTOUT_9 — SCT output 9. Match output 3 of timer 3.
						-	R — Function reserved.
						I/O	EMC_A23 — External memory address line 23.
						I/O	GPIO5[19] — General purpose digital input/output pin.
						-	R — Function reserved.
						-	R — Function reserved.
PB_0	B15	-	-	164	N; PU	-	R — Function reserved.
						O	CTOUT_10 — SCT output 10. Match output 3 of timer 3.
						O	LCD_VD23 — LCD data.
						-	R — Function reserved.
						I/O	GPIO5[20] — General purpose digital input/output pin.
						-	R — Function reserved.
						-	R — Function reserved.
PB_1	A14	-	-	175	N; PU	-	R — Function reserved.
						I	USB1_ULPI_DIR — ULPI link DIR signal. Controls the ULP data line direction.
						O	LCD_VD22 — LCD data.
						-	R — Function reserved.
						I/O	GPIO5[21] — General purpose digital input/output pin.
						O	CTOUT_6 — SCT output 6. Match output 2 of timer 1.
						-	R — Function reserved.
PB_2	B12	-	-	177	N; PU	-	R — Function reserved.
						I/O	USB1_ULPI_D7 — ULPI link bidirectional data line 7.
						O	LCD_VD21 — LCD data.
						-	R — Function reserved.
						I/O	GPIO5[22] — General purpose digital input/output pin.
						O	CTOUT_7 — SCT output 7. Match output 3 of timer 1.
						-	R — Function reserved.
-	R — Function reserved.						

Table 3. Pin description ...continued

Pin name	LBGA256	TFBGA100	LQFP144	LQFP208	Reset state [1]	Description	
						Type	
PB_3	A13	-	-	178	N; PU	-	R — Function reserved.
						I/O	USB1_ULPI_D6 — ULPI link bidirectional data line 6.
						O	LCD_VD20 — LCD data.
						-	R — Function reserved.
						I/O	GPIO5[23] — General purpose digital input/output pin.
						O	CTOUT_8 — SCT output 8. Match output 0 of timer 2.
						-	R — Function reserved.
PB_4	B11	-	-	180	N; PU	-	R — Function reserved.
						I/O	USB1_ULPI_D5 — ULPI link bidirectional data line 5.
						O	LCD_VD15 — LCD data.
						-	R — Function reserved.
						I/O	GPIO5[24] — General purpose digital input/output pin.
						I	CTIN_5 — SCT input 5. Capture input 2 of timer 2.
						-	R — Function reserved.
PB_5	A12	-	-	181	N; PU	-	R — Function reserved.
						I/O	USB1_ULPI_D4 — ULPI link bidirectional data line 4.
						O	LCD_VD14 — LCD data.
						-	R — Function reserved.
						I/O	GPIO5[25] — General purpose digital input/output pin.
						I	CTIN_7 — SCT input 7.
						O	LCD_PWR — LCD panel power enable.
PB_6	A6	-	-	-	N; PU	-	R — Function reserved.
						I/O	USB1_ULPI_D3 — ULPI link bidirectional data line 3.
						O	LCD_VD13 — LCD data.
						-	R — Function reserved.
						I/O	GPIO5[26] — General purpose digital input/output pin.
						I	CTIN_6 — SCT input 6. Capture input 1 of timer 3.
						O	LCD_VD19 — LCD data.
-	R — Function reserved.						
						AI	ADC0_6 and ADC1 — ADC0, input channel 6. Configure the pin as GPIO input and use the ADC function select register in the SCU to select the ADC.

Table 3. Pin description ...continued

Pin name	LPGA256	TFBGA100	LQFP144	LQFP208	Reset state	Type	Description
PC_0	D4	-	-	7	[5] N; PU	-	R — Function reserved.
						I	USB1_ULPI_CLK — ULPI link CLK signal. 60 MHz clock generated by the PHY.
						-	R — Function reserved.
						I/O	ENET_RX_CLK — Ethernet Receive Clock (MII interface).
						O	LCD_DCLK — LCD panel clock.
						-	R — Function reserved.
						-	R — Function reserved.
PC_1	E4	-	-	9	[2] N; PU	I/O	USB1_ULPI_D7 — ULPI link bidirectional data line 7.
						-	R — Function reserved.
						I	U1_RI — Ring Indicator input for UART1.
						O	ENET_MDC — Ethernet MIIM clock.
						I/O	GPIO6[0] — General purpose digital input/output pin.
						-	R — Function reserved.
						I	T3_CAP0 — Capture input 0 of timer 3.
PC_2	F6	-	-	13	[2] N; PU	I/O	USB1_ULPI_D6 — ULPI link bidirectional data line 6.
						-	R — Function reserved.
						I	U1_CTS — Clear to Send input for UART1.
						O	ENET_TXD2 — Ethernet transmit data 2 (MII interface).
						I/O	GPIO6[1] — General purpose digital input/output pin.
						-	R — Function reserved.
						-	R — Function reserved.
O	SD_RST — SD/MMC reset signal for MMC4.4 card.						

Table 3. Pin description ...continued

Pin name	LPGA256	TFBGA100	LQFP144	LQFP208	Reset state	Type	Description
PC_3	F5	-	-	11	[5] N; PU	I/O	USB1_ULPI_D5 — ULPI link bidirectional data line 5.
						-	R — Function reserved.
						O	U1_RTS — Request to Send output for UART1. Can also be configured to be an RS-485/EIA-485 output enable signal for UART1.
						O	ENET_TXD3 — Ethernet transmit data 3 (MII interface).
						I/O	GPIO6[2] — General purpose digital input/output pin.
						-	R — Function reserved.
						-	R — Function reserved.
PC_4	F4	-	-	16	[2] N; PU	O	SD_VOLT1 — SD/MMC bus voltage select output 1.
						AI	ADC1_0 — ADC1 and ADC0, input channel 0. Configure the pin as GPIO input and use the ADC function select register in the SCU to select the ADC.
						-	R — Function reserved.
						I/O	USB1_ULPI_D4 — ULPI link bidirectional data line 4.
						-	R — Function reserved.
							ENET_TX_EN — Ethernet transmit enable (RMII/MII interface).
						I/O	GPIO6[3] — General purpose digital input/output pin.
-	R — Function reserved.						
PC_5	G4	-	-	20	[2] N; PU	I	T3_CAP1 — Capture input 1 of timer 3.
						I/O	SD_DAT0 — SD/MMC data bus line 0.
						-	R — Function reserved.
						I/O	USB1_ULPI_D3 — ULPI link bidirectional data line 3.
						-	R — Function reserved.
						O	ENET_TX_ER — Ethernet Transmit Error (MII interface).
						I/O	GPIO6[4] — General purpose digital input/output pin.
-	R — Function reserved.						
PC_6	H6	-	-	22	[2] N; PU	I	T3_CAP2 — Capture input 2 of timer 3.
						I/O	SD_DAT1 — SD/MMC data bus line 1.
						-	R — Function reserved.
						I/O	USB1_ULPI_D2 — ULPI link bidirectional data line 2.
						-	R — Function reserved.
						I	ENET_RXD2 — Ethernet receive data 2 (MII interface).
						I/O	GPIO6[5] — General purpose digital input/output pin.
-	R — Function reserved.						
PC_6	H6	-	-	22	[2] N; PU	I	T3_CAP3 — Capture input 3 of timer 3.
						I/O	SD_DAT2 — SD/MMC data bus line 2.

Table 3. Pin description ...continued

Pin name	LPGA256	TFBGA100	LQFP144	LQFP208	Reset state	Type	Description
PC_7	G5	-	-	-	N; PU	-	R — Function reserved.
						I/O	USB1_ULPI_D1 — ULPI link bidirectional data line 1.
						-	R — Function reserved.
						I	ENET_RXD3 — Ethernet receive data 3 (MII interface).
						I/O	GPIO6[6] — General purpose digital input/output pin.
						-	R — Function reserved.
						O	T3_MAT0 — Match output 0 of timer 3.
PC_8	N4	-	-	-	N; PU	-	R — Function reserved.
						I/O	USB1_ULPI_D0 — ULPI link bidirectional data line 0.
						-	R — Function reserved.
						I	ENET_RX_DV — Ethernet Receive Data Valid (RMII/MII interface).
						I/O	GPIO6[7] — General purpose digital input/output pin.
						-	R — Function reserved.
						O	T3_MAT1 — Match output 1 of timer 3.
PC_9	K2	-	-	-	N; PU	-	R — Function reserved.
						I	USB1_ULPI_NXT — ULPI link NXT signal. Data flow control signal from the PHY.
						-	R — Function reserved.
						I	ENET_RX_ER — Ethernet receive error (MII interface).
						I/O	GPIO6[8] — General purpose digital input/output pin.
						-	R — Function reserved.
						O	T3_MAT2 — Match output 2 of timer 3.
PC_10	M5	-	-	-	N; PU	O	SD_POW — SD/MMC power monitor output.
						-	R — Function reserved.
						O	USB1_ULPI_STP — ULPI link STP signal. Asserted to end or interrupt transfers to the PHY.
						I	U1_DSR — Data Set Ready input for UART1.
						-	R — Function reserved.
						I/O	GPIO6[9] — General purpose digital input/output pin.
						-	R — Function reserved.
O	T3_MAT3 — Match output 3 of timer 3.						
	I/O	SD_CMD — SD/MMC command signal.					

Table 3. Pin description ...continued

Pin name	LPGA256	TFBGA100	LQFP144	LQFP208	Reset state	Type	Description
PC_11	L5	-	-	-	N; PU	-	R — Function reserved.
						I	USB1_ULPI_DIR — ULPI link DIR signal. Controls the ULP data line direction.
						I	U1_DCD — Data Carrier Detect input for UART1.
						-	R — Function reserved.
						I/O	GPIO6[10] — General purpose digital input/output pin.
						-	R — Function reserved.
						-	R — Function reserved.
PC_12	L6	-	-	-	N; PU	-	R — Function reserved.
						-	R — Function reserved.
						O	U1_DTR — Data Terminal Ready output for UART1. Can also be configured to be an RS-485/EIA-485 output enable signal for UART1.
						-	R — Function reserved.
						I/O	GPIO6[11] — General purpose digital input/output pin.
						-	R — Function reserved.
						I/O	I2S0_TX_SDA — I ² S transmit data. It is driven by the transmitter and read by the receiver. Corresponds to the signal SD in the I ² S-bus specification.
PC_13	M1	-	-	-	N; PU	-	R — Function reserved.
						-	R — Function reserved.
						O	U1_TXD — Transmitter output for UART1.
						-	R — Function reserved.
						I/O	GPIO6[12] — General purpose digital input/output pin.
						-	R — Function reserved.
						I/O	I2S0_TX_WS — Transmit Word Select. It is driven by the master and received by the slave. Corresponds to the signal WS in the I ² S-bus specification.
PC_14	N1	-	-	-	N; PU	-	R — Function reserved.
						-	R — Function reserved.
						I	U1_RXD — Receiver input for UART1.
						-	R — Function reserved.
						I/O	GPIO6[13] — General purpose digital input/output pin.
						-	R — Function reserved.
						O	ENET_TX_ER — Ethernet Transmit Error (MII interface).
I/O	SD_DAT7 — SD/MMC data bus line 7.						

Table 3. Pin description ...continued

Pin name	LPGA256	TFBGA100	LQFP144	LQFP208	Reset state	Type	Description
PD_0	N2	-	-	-	N; PU	-	R — Function reserved.
						O	CTOUT_15 — SCT output 15. Match output 3 of timer 3.
						O	EMC_DQMOUT2 — Data mask 2 used with SDRAM and static devices.
						-	R — Function reserved.
						I/O	GPIO6[14] — General purpose digital input/output pin.
						-	R — Function reserved.
PD_1	P1	-	-	-	N; PU	-	R — Function reserved.
						-	R — Function reserved.
						O	EMC_CKEOUT2 — SDRAM clock enable 2.
						-	R — Function reserved.
						I/O	GPIO6[15] — General purpose digital input/output pin.
						O	SD_POW — SD/MMC power monitor output.
PD_2	R1	-	-	-	N; PU	-	R — Function reserved.
						O	CTOUT_7 — SCT output 7. Match output 3 of timer 1.
						I/O	EMC_D16 — External memory data line 16.
						-	R — Function reserved.
						I/O	GPIO6[16] — General purpose digital input/output pin.
						-	R — Function reserved.
PD_3	P4	-	-	-	N; PU	-	R — Function reserved.
						O	CTOUT_6 — SCT output 7. Match output 2 of timer 1.
						I/O	EMC_D17 — External memory data line 17.
						-	R — Function reserved.
						I/O	GPIO6[17] — General purpose digital input/output pin.
						-	R — Function reserved.

Table 3. Pin description ...continued

Pin name	LPGA256	TFBGA100	LQFP144	LQFP208	Reset state	Type	Description
PD_4	T2	-	-	-	N; PU	-	R — Function reserved.
						O	CTOUT_8 — SCT output 8. Match output 0 of timer 2.
						I/O	EMC_D18 — External memory data line 18.
						-	R — Function reserved.
						I/O	GPIO6[18] — General purpose digital input/output pin.
						-	R — Function reserved.
						-	R — Function reserved.
PD_5	P6	-	-	-	N; PU	-	R — Function reserved.
						O	CTOUT_9 — SCT output 9. Match output 3 of timer 3.
						I/O	EMC_D19 — External memory data line 19.
						-	R — Function reserved.
						I/O	GPIO6[19] — General purpose digital input/output pin.
						-	R — Function reserved.
						-	R — Function reserved.
PD_6	R6	-	-	68	N; PU	-	R — Function reserved.
						O	CTOUT_10 — SCT output 10. Match output 3 of timer 3.
						I/O	EMC_D20 — External memory data line 20.
						-	R — Function reserved.
						I/O	GPIO6[20] — General purpose digital input/output pin.
						-	R — Function reserved.
						-	R — Function reserved.
PD_7	T6	-	-	72	N; PU	-	R — Function reserved.
						I	CTIN_5 — SCT input 5. Capture input 2 of timer 2.
						I/O	EMC_D21 — External memory data line 21.
						-	R — Function reserved.
						I/O	GPIO6[21] — General purpose digital input/output pin.
						-	R — Function reserved.
						-	R — Function reserved.

Table 3. Pin description ...continued

Pin name	LPGA256	TFBGA100	LQFP144	LQFP208	Reset state	Type	Description
PD_8	P8	-	-	74	N; PU	-	R — Function reserved.
						I	CTIN_6 — SCT input 6. Capture input 1 of timer 3.
						I/O	EMC_D22 — External memory data line 22.
						-	R — Function reserved.
						I/O	GPIO6[22] — General purpose digital input/output pin.
						-	R — Function reserved.
						-	R — Function reserved.
PD_9	T11	-	-	84	N; PU	-	R — Function reserved.
						O	CTOUT_13 — SCT output 13. Match output 3 of timer 3.
						I/O	EMC_D23 — External memory data line 23.
						-	R — Function reserved.
						I/O	GPIO6[23] — General purpose digital input/output pin.
						-	R — Function reserved.
						-	R — Function reserved.
PD_10	P11	-	-	86	N; PU	-	R — Function reserved.
						I	CTIN_1 — SCT input 1. Capture input 1 of timer 0. Capture input 1 of timer 2.
						O	EMC_BLS3 — LOW active Byte Lane select signal 3.
						-	R — Function reserved.
						I/O	GPIO6[24] — General purpose digital input/output pin.
						-	R — Function reserved.
						-	R — Function reserved.
PD_11	N9	-	-	88	N; PU	-	R — Function reserved.
						-	R — Function reserved.
						O	EMC_CS3 — LOW active Chip Select 3 signal.
						-	R — Function reserved.
						I/O	GPIO6[25] — General purpose digital input/output pin.
						I/O	USB1_ULPI_D0 — ULPI link bidirectional data line 0.
						O	CTOUT_14 — SCT output 14. Match output 2 of timer 3.
-	R — Function reserved.						

Table 3. Pin description ...continued

Pin name	LPGA256	TFBGA100	LQFP144	LQFP208	Reset state	Type	Description
PD_12	N11	-	-	94	N; PU	-	R — Function reserved.
						-	R — Function reserved.
						O	EMC_CS2 — LOW active Chip Select 2 signal.
						-	R — Function reserved.
						I/O	GPIO6[26] — General purpose digital input/output pin.
						-	R — Function reserved.
						O	CTOUT_10 — SCT output 10. Match output 3 of timer 3.
PD_13	T14	-	-	97	N; PU	-	R — Function reserved.
						I	CTIN_0 — SCT input 0. Capture input 0 of timer 0, 1, 2, 3.
						O	EMC_BLS2 — LOW active Byte Lane select signal 2.
						-	R — Function reserved.
						I/O	GPIO6[27] — General purpose digital input/output pin.
						-	R — Function reserved.
						O	CTOUT_13 — SCT output 13. Match output 3 of timer 3.
PD_14	R13	-	-	99	N; PU	-	R — Function reserved.
						-	R — Function reserved.
						O	EMC_DYCS2 — SDRAM chip select 2.
						-	R — Function reserved.
						I/O	GPIO6[28] — General purpose digital input/output pin.
						-	R — Function reserved.
						O	CTOUT_11 — SCT output 11. Match output 3 of timer 2.
PD_15	T15	-	-	101	N; PU	-	R — Function reserved.
						-	R — Function reserved.
						I/O	EMC_A17 — External memory address line 17.
						-	R — Function reserved.
						I/O	GPIO6[29] — General purpose digital input/output pin.
						I	SD_WP — SD/MMC card write protect input.
						O	CTOUT_8 — SCT output 8. Match output 0 of timer 2.
-	R — Function reserved.						

Table 3. Pin description ...continued

Pin name	LPGA256	TFBGA100	LQFP144	LQFP208	Reset state	Type	Description
PD_16	R14	-	-	104	N; PU	-	R — Function reserved.
						-	R — Function reserved.
						I/O	EMC_A16 — External memory address line 16.
						-	R — Function reserved.
						I/O	GPIO6[30] — General purpose digital input/output pin.
						O	SD_VOLT2 — SD/MMC bus voltage select output 2.
						O	CTOUT_12 — SCT output 12. Match output 3 of timer 3.
PE_0	P14	-	-	106	N; PU	-	R — Function reserved.
						-	R — Function reserved.
						-	R — Function reserved.
						I/O	EMC_A18 — External memory address line 18.
						I/O	GPIO7[0] — General purpose digital input/output pin.
						O	CAN1_TD — CAN1 transmitter output.
						-	R — Function reserved.
PE_1	N14	-	-	112	N; PU	-	R — Function reserved.
						-	R — Function reserved.
						-	R — Function reserved.
						I/O	EMC_A19 — External memory address line 19.
						I/O	GPIO7[1] — General purpose digital input/output pin.
						I	CAN1_RD — CAN1 receiver input.
						-	R — Function reserved.
PE_2	M14	-	-	115	N; PU	I	ADCTRIG0 — ADC trigger input 0.
						I	CAN0_RD — CAN receiver input.
						-	R — Function reserved.
						I/O	EMC_A20 — External memory address line 20.
						I/O	GPIO7[2] — General purpose digital input/output pin.
						-	R — Function reserved.
						-	R — Function reserved.
-	R — Function reserved.						

Table 3. Pin description ...continued

Pin name	LPGA256	TFBGA100	LQFP144	LQFP208	Reset state	Type	Description
PE_3	K12	-	-	118	N; PU	-	R — Function reserved.
						O	CAN0_TD — CAN transmitter output.
						I	ADCTRIG1 — ADC trigger input 1.
						I/O	EMC_A21 — External memory address line 21.
						I/O	GPIO7[3] — General purpose digital input/output pin.
						-	R — Function reserved.
						-	R — Function reserved.
PE_4	K13	-	-	120	N; PU	-	R — Function reserved.
						I	NMI — External interrupt input to NMI.
						-	R — Function reserved.
						I/O	EMC_A22 — External memory address line 22.
						I/O	GPIO7[4] — General purpose digital input/output pin.
						-	R — Function reserved.
						-	R — Function reserved.
PE_5	N16	-	-	122	N; PU	-	R — Function reserved.
						O	CTOUT_3 — SCT output 3. Match output 3 of timer 0.
						O	U1_RTS — Request to Send output for UART1. Can also be configured to be an RS-485/EIA-485 output enable signal for UART1.
						I/O	EMC_D24 — External memory data line 24.
						I/O	GPIO7[5] — General purpose digital input/output pin.
						-	R — Function reserved.
						-	R — Function reserved.
PE_6	M16	-	-	124	N; PU	-	R — Function reserved.
						O	CTOUT_2 — SCT output 2. Match output 2 of timer 0.
						I	U1_RI — Ring Indicator input for UART1.
						I/O	EMC_D25 — External memory data line 25.
						I/O	GPIO7[6] — General purpose digital input/output pin.
						-	R — Function reserved.
						-	R — Function reserved.
-	R — Function reserved.						

Table 3. Pin description ...continued

Pin name	LBGA256	TFBGA100	LQFP144	LQFP208	Reset state	Type	Description
PE_7	F15	-	-	149	N; PU	-	R — Function reserved.
						O	CTOUT_5 — SCT output 5. Match output 3 of timer 3.
						I	U1_CTS — Clear to Send input for UART1.
						I/O	EMC_D26 — External memory data line 26.
						I/O	GPIO7[7] — General purpose digital input/output pin.
						-	R — Function reserved.
						-	R — Function reserved.
PE_8	F14	-	-	150	N; PU	-	R — Function reserved.
						O	CTOUT_4 — SCT output 4. Match output 3 of timer 3.
						I	U1_DSR — Data Set Ready input for UART1.
						I/O	EMC_D27 — External memory data line 27.
						I/O	GPIO7[8] — General purpose digital input/output pin.
						-	R — Function reserved.
						-	R — Function reserved.
PE_9	E16	-	-	152	N; PU	-	R — Function reserved.
						I	CTIN_4 — SCT input 4. Capture input 2 of timer 1.
						I	U1_DCD — Data Carrier Detect input for UART1.
						I/O	EMC_D28 — External memory data line 28.
						I/O	GPIO7[9] — General purpose digital input/output pin.
						-	R — Function reserved.
						-	R — Function reserved.
PE_10	E14	-	-	154	N; PU	-	R — Function reserved.
						I	CTIN_3 — SCT input 3. Capture input 1 of timer 1.
						O	U1_DTR — Data Terminal Ready output for UART1. Can also be configured to be an RS-485/EIA-485 output enable signal for UART1.
						I/O	EMC_D29 — External memory data line 29.
						I/O	GPIO7[10] — General purpose digital input/output pin.
						-	R — Function reserved.
						-	R — Function reserved.
-	R — Function reserved.						

Table 3. Pin description ...continued

Pin name	LPGA256	TFBGA100	LQFP144	LQFP208	Reset state	Type	Description
PE_11	D16	-	-	-	N; PU	-	R — Function reserved.
						O	CTOUT_12 — SCT output 12. Match output 3 of timer 3.
						O	U1_TXD — Transmitter output for UART1.
						I/O	EMC_D30 — External memory data line 30.
						I/O	GPIO7[11] — General purpose digital input/output pin.
						-	R — Function reserved.
PE_12	D15	-	-	-	N; PU	-	R — Function reserved.
						O	CTOUT_11 — SCT output 11. Match output 3 of timer 2.
						I	U1_RXD — Receiver input for UART1.
						I/O	EMC_D31 — External memory data line 31.
						I/O	GPIO7[12] — General purpose digital input/output pin.
						-	R — Function reserved.
PE_13	G14	-	-	-	N; PU	-	R — Function reserved.
						O	CTOUT_14 — SCT output 14. Match output 2 of timer 3.
						I/O	I2C1_SDA — I ² C1 data input/output (this pin does not use a specialized I ² C pad).
						O	EMC_DQMOUT3 — Data mask 3 used with SDRAM and static devices.
						I/O	GPIO7[13] — General purpose digital input/output pin.
						-	R — Function reserved.
PE_14	C15	-	-	-	N; PU	-	R — Function reserved.
						-	R — Function reserved.
						-	R — Function reserved.
						O	EMC_DYCS3 — SDRAM chip select 3.
						I/O	GPIO7[14] — General purpose digital input/output pin.
						-	R — Function reserved.
-	R — Function reserved.						
-	R — Function reserved.						

Table 3. Pin description ...continued

Pin name	LPGA256	TFBGA100	LQFP144	LQFP208	Reset state	Type	Description
PE_15	E13	-	-	-	N; PU	-	R — Function reserved.
						O	CTOUT_0 — SCT output 0. Match output 0 of timer 0.
						I/O	I2C1_SCL — I ² C1 clock input/output (this pin does not use a specialized I ² C pad).
						O	EMC_CKEOUT3 — SDRAM clock enable 3.
						I/O	GPIO7[15] — General purpose digital input/output pin.
						-	R — Function reserved.
PF_0	D12	-	-	159	OL; PU	I/O	SSP0_SCK — Serial clock for SSP0.
						I	GP_CLKIN — General-purpose clock input to the CGU.
						-	R — Function reserved.
						-	R — Function reserved.
						-	R — Function reserved.
						-	R — Function reserved.
PF_1	E11	-	-	-	N; PU	-	R — Function reserved.
						-	R — Function reserved.
						I/O	SSP0_SSEL — Slave Select for SSP0.
						-	R — Function reserved.
						I/O	GPIO7[16] — General purpose digital input/output pin.
						-	R — Function reserved.
PF_2	D11	-	-	168	N; PU	-	R — Function reserved.
						O	U3_TXD — Transmitter output for USART3.
						I/O	SSP0_MISO — Master In Slave Out for SSP0.
						-	R — Function reserved.
						I/O	GPIO7[17] — General purpose digital input/output pin.
						-	R — Function reserved.

Table 3. Pin description ...continued

Pin name	LPGA256	TFBGA100	LQFP144	LQFP208	Reset state	Type	Description
PF_3	E10	-	-	170	N; PU	-	R — Function reserved.
						I	U3_RXD — Receiver input for USART3.
						I/O	SSP0_MOSI — Master Out Slave in for SSP0.
						-	R — Function reserved.
						I/O	GPIO7[18] — General purpose digital input/output pin.
						-	R — Function reserved.
						-	R — Function reserved.
PF_4	D10	H4	120	172	OL; PU	I/O	SSP1_SCK — Serial clock for SSP1.
						I	GP_CLKIN — General-purpose clock input to the CGU.
						O	TRACECLK — Trace clock.
						-	R — Function reserved.
						-	R — Function reserved.
						-	R — Function reserved.
						O	I2S0_TX_MCLK — I ² S transmit master clock.
PF_5	E9	-	-	190	N; PU	-	R — Function reserved.
						I/O	U3_UCLK — Serial clock input/output for USART3 in synchronous mode.
						I/O	SSP1_SSEL — Slave Select for SSP1.
						O	TRACEDATA[0] — Trace data, bit 0.
						I/O	GPIO7[19] — General purpose digital input/output pin.
						-	R — Function reserved.
						-	R — Function reserved.
AI	ADC1_4 — ADC1 and ADC0, input channel 4. Configure the pin as GPIO input and use the ADC function select register in the SCU to select the ADC.						

Table 3. Pin description ...continued

Pin name	LPGA256	TFBGA100	LQFP144	LQFP208	Reset state	Type	Description
PF_6	E7	-	-	192	[5] N; PU	-	R — Function reserved.
						I/O	U3_DIR — RS-485/EIA-485 output enable/direction control for USART3.
						I/O	SSP1_MISO — Master In Slave Out for SSP1.
						O	TRACEDATA[1] — Trace data, bit 1.
						I/O	GPIO7[20] — General purpose digital input/output pin.
						-	R — Function reserved.
						-	R — Function reserved.
						I/O	I2S1_TX_SDA — I2S1 transmit data. It is driven by the transmitter and read by the receiver. Corresponds to the signal SD in the I2S-bus specification.
PF_7	B7	-	-	193	[5] N; PU	-	R — Function reserved.
						I/O	U3_BAUD — Baud pin USART3.
						I/O	SSP1_MOSI — Master Out Slave in for SSP1.
						O	TRACEDATA[2] — Trace data, bit 2.
						I/O	GPIO7[21] — General purpose digital input/output pin.
						-	R — Function reserved.
						-	R — Function reserved.
						I/O	I2S1_TX_WS — Transmit Word Select. It is driven by the master and received by the slave. Corresponds to the signal WS in the I2S-bus specification.
PF_8	E6	-	-	-	[5] N; PU	-	R — Function reserved.
						I/O	U0_UCLK — Serial clock input/output for USART0 in synchronous mode.
						I	CTIN_2 — SCT input 2. Capture input 2 of timer 0.
						O	TRACEDATA[3] — Trace data, bit 3.
						I/O	GPIO7[22] — General purpose digital input/output pin.
						-	R — Function reserved.
						-	R — Function reserved.
						-	R — Function reserved.
AI	ADC0_2 — ADC0 and ADC1, input channel 2. Configure the pin as GPIO input and use the ADC function select register in the SCU to select the ADC.						

Table 3. Pin description ...continued

Pin name	LPGA256	TFBGA100	LQFP144	LQFP208	Reset state	Type	Description
PF_9	D6	-	-	203	[5] N; PU	-	R — Function reserved.
						I/O	U0_DIR — RS-485/EIA-485 output enable/direction control for USART0.
						O	CTOUT_1 — SCT output 1. Match output 3 of timer 3.
						-	R — Function reserved.
						I/O	GPIO7[23] — General purpose digital input/output pin.
						-	R — Function reserved.
						-	R — Function reserved.
PF_10	A3	-	-	205	[5] N; PU	-	R — Function reserved.
						O	U0_TXD — Transmitter output for USART0.
						-	R — Function reserved.
						-	R — Function reserved.
						I/O	GPIO7[24] — General purpose digital input/output pin.
						-	R — Function reserved.
						I	SD_WP — SD/MMC card write protect input.
PF_11	A2	-	-	207	[5] N; PU	-	R — Function reserved.
						I	U0_RXD — Receiver input for USART0.
						-	R — Function reserved.
						-	R — Function reserved.
						I/O	GPIO7[25] — General purpose digital input/output pin.
						-	R — Function reserved.
						O	SD_VOLT2 — SD/MMC bus voltage select output 2.
PF_11	A2	-	-	207	[5] N; PU	-	R — Function reserved.
						I/O	GPIO7[25] — General purpose digital input/output pin.
PF_11	A2	-	-	207	[5] N; PU	O	SD_VOLT2 — SD/MMC bus voltage select output 2.
						-	R — Function reserved.
PF_11	A2	-	-	207	[5] N; PU	AI	ADC1_5 — ADC1 and ADC0, input channel 5. Configure the pin as GPIO input and use the ADC function select register in the SCU to select the ADC.
						-	R — Function reserved.

Clock pins

Table 3. Pin description ...continued

Pin name	LPGA256	TFBGA100	LQFP144	LQFP208	Reset state	Type	Description
CLK0	N5	K3	45	62	[4] O; PU	O	<p>EMC_CLK0 — SDRAM clock 0.</p> <p>CLKOUT — Clock output pin.</p> <p>- R — Function reserved.</p> <p>- R — Function reserved.</p> <p>I/O SD_CLK — SD/MMC card clock.</p> <p>O EMC_CLK01 — SDRAM clock 0 and clock 1 combined.</p> <p>I/O SSP1_SCK — Serial clock for SSP1.</p> <p>I ENET_TX_CLK (ENET_REF_CLK) — Ethernet Transmit Clock (MII interface) or Ethernet Reference Clock (RMII interface).</p>
CLK1	T10	-	-	-	[4] O; PU	O	<p>EMC_CLK1 — SDRAM clock 1.</p> <p>CLKOUT — Clock output pin.</p> <p>- R — Function reserved.</p> <p>- R — Function reserved.</p> <p>- R — Function reserved.</p> <p>O CGU_OUT0 — CGU spare clock output 0.</p> <p>- R — Function reserved.</p> <p>O I2S1_TX_MCLK — I²S1 transmit master clock.</p>
CLK2	D14	K6	99	141	[4] O; PU	O	<p>EMC_CLK3 — SDRAM clock 3.</p> <p>CLKOUT — Clock output pin.</p> <p>- R — Function reserved.</p> <p>- R — Function reserved.</p> <p>I/O SD_CLK — SD/MMC card clock.</p> <p>O EMC_CLK23 — SDRAM clock 2 and clock 3 combined.</p> <p>O I2S0_TX_MCLK — I²S transmit master clock.</p> <p>I/O I2S1_RX_SCK — Receive Clock. It is driven by the master and received by the slave. Corresponds to the signal SCK in the I²S-bus specification.</p>
CLK3	P12	-	-	-	[4] O; PU	O	<p>EMC_CLK2 — SDRAM clock 2.</p> <p>CLKOUT — Clock output pin.</p> <p>- R — Function reserved.</p> <p>- R — Function reserved.</p> <p>- R — Function reserved.</p> <p>O CGU_OUT1 — CGU spare clock output 1.</p> <p>- R — Function reserved.</p> <p>I/O I2S1_RX_SCK — Receive Clock. It is driven by the master and received by the slave. Corresponds to the signal SCK in the I²S-bus specification.</p>

Table 3. Pin description ...continued

Pin name	LPGA256	TFBGA100	LQFP144	LQFP208	Reset state [1]	Type	Description
Debug pins							
DBGEN	L4	A6	28	41	[2]	I	JTAG interface control signal. Also used for boundary scan.
TCK/SWDCLK	J5	H2	27	38	[2]	I; F	Test Clock for JTAG interface (default) or Serial Wire (SW) clock.
$\overline{\text{TRST}}$	M4	B4	29	42	[2]	I; PU	Test Reset for JTAG interface.
TMS/SWDIO	K6	C4	30	44	[2]	I; PU	Test Mode Select for JTAG interface (default) or SW debug data input/output.
TDO/SWO	K5	H3	31	46	[2]	O	Test Data Out for JTAG interface (default) or SW trace output.
TDI	J4	G3	26	35	[2]	I; PU	Test Data In for JTAG interface.
USB0 pins							
USB0_DP	F2	E1	18	26	[6]	-	I/O USB0 bidirectional D+ line. Do not add an external series resistor.
USB0_DM	G2	E2	20	28	[6]	-	I/O USB0 bidirectional D- line. Do not add an external series resistor.
USB0_VBUS	F1	E3	21	29	[6] [7]	-	VBUS pin (power on USB cable). This pin includes an internal pull-down resistor of 70 k Ω (typical) \pm 30 k Ω .
USB0_ID	H2	F1	22	30	[8]	-	I Indicates to the transceiver whether connected as an A-device (USB0_ID LOW) or B-device (USB0_ID HIGH). For use with OTG, this pin has an internal pull-up resistor.
USB0_RREF	H1	F3	24	32	[8]	-	12.0 k Ω (accuracy 1 %) on-board resistor to ground for current reference.
USB1 pins							
USB1_DP	F12	E9	89	129	[9]	-	I/O USB1 bidirectional D+ line. Add an external series resistor of 33 Ω +/- 2 %.
USB1_DM	G12	E10	90	130	[9]	-	I/O USB1 bidirectional D- line. Add an external series resistor of 33 Ω +/- 2 %.
I²C-bus pins							
I2C0_SCL	L15	D6	92	132	[10]	I; F	I/O I ² C clock input/output. Open-drain output (for I ² C-bus compliance).
I2C0_SDA	L16	E6	93	133	[10]	I; F	I/O I ² C data input/output. Open-drain output (for I ² C-bus compliance).
Reset and wake-up pins							
$\overline{\text{RESET}}$	D9	B6	128	185	[11]	I; IA	I External reset input: A LOW on this pin resets the device, causing I/O ports and peripherals to take on their default states, and processor execution to begin at address 0.
WAKEUP0	A9	A4	130	187	[11]	I; IA	I External wake-up input; can raise an interrupt and can cause wake-up from any of the low-power modes. A pulse with a duration of at least 45 ns wakes up the part. Input 0 of the event monitor.
WAKEUP1	A10	-	-	-	[11]	I; IA	I External wake-up input; can raise an interrupt and can cause wake-up from any of the low-power modes. A pulse with a duration of at least 45 ns wakes up the part. Input 1 of the event monitor.

Table 3. Pin description ...continued

Pin name	LPGA256	TFBGA100	LQFP144	LQFP208	Reset state	Reset state	Type	Description
WAKEUP2	C9	-	-	-	[11]	I; IA	I	External wake-up input; can raise an interrupt and can cause wake-up from any of the low-power modes. A pulse with a duration of at least 45 ns wakes up the part. Input 2 of the event monitor.
WAKEUP3	D8	-	-	-	[11]	I; IA	I	External wake-up input; can raise an interrupt and can cause wake-up from any of the low-power modes. A pulse with a duration of at least 45 ns wakes up the part.
ADC pins								
ADC0_0/ ADC1_0/DAC	E3	A2	6	8	[8]	AI; IA	I	ADC input channel 0. Shared between 10-bit ADC0/1 and DAC.
ADC0_1/ ADC1_1	C3	A1	2	4	[8]	AI; IA	I	ADC input channel 1. Shared between 10-bit ADC0/1.
ADC0_2/ ADC1_2	A4	B3	143	206	[8]	AI; IA	I	ADC input channel 2. Shared between 10-bit ADC0/1.
ADC0_3/ ADC1_3	B5	A3	139	200	[8]	AI; IA	I	ADC input channel 3. Shared between 10-bit ADC0/1.
ADC0_4/ ADC1_4	C6	-	138	199	[8]	AI; IA	I	ADC input channel 4. Shared between 10-bit ADC0/1.
ADC0_5/ ADC1_5	B3	-	144	208	[8]	AI; IA	I	ADC input channel 5. Shared between 10-bit ADC0/1.
ADC0_6/ ADC1_6	A5	-	142	204	[8]	AI; IA	I	ADC input channel 6. Shared between 10-bit ADC0/1.
ADC0_7/ ADC1_7	C5	-	136	197	[8]	AI; IA	I	ADC input channel 7. Shared between 10-bit ADC0/1.
RTC pins								
RTC_ALARM	A11	C3	129	186	[11]	-	O	RTC controlled output.
RTCX1	A8	A5	125	182	[8]	-	I	Input to the RTC 32 kHz ultra-low power oscillator circuit.
RTCX2	B8	B5	126	183	[8]	-	O	Output from the RTC 32 kHz ultra-low power oscillator circuit.
SAMPLE	B9	-	-	-	[11]	O	O	Event monitor sample output.
Crystal oscillator pins								
XTAL1	D1	B1	12	18	[8]	-	I	Input to the oscillator circuit and internal clock generator circuits.
XTAL2	E1	C1	13	19	[8]	-	O	Output from the oscillator amplifier.
Power and ground pins								
USB0_VDDA 3V3_DRIVER	F3	D1	16	24	-	-	-	Separate analog 3.3 V power supply for driver.
USB0_VDDA3V3	G3	D2	17	25	-	-	-	USB 3.3 V separate power supply voltage.
USB0_VSSA _TERM	H3	D3	19	27	-	-	-	Dedicated analog ground for clean reference for termination resistors.
USB0_VSSA _REF	G1	F2	23	31	-	-	-	Dedicated clean analog ground for generation of reference currents and voltages.
VDDA	B4	B2	137	198	-	-	-	Analog power supply and ADC reference voltage.

Table 3. Pin description ...continued

Pin name					Reset state [1]	Type	Description
	LPGA256	TFBGA100	LQFP144	LQFP208			
VBAT	B10	C5	127	184	-	-	RTC power supply: 3.3 V on this pin supplies power to the RTC.
VDDREG	F10, F9, L8, L7	E4, E5, F4	94, 131, 59, 25	135, 188, 195, 82, 33	-	-	Main regulator power supply.
VPP	E8	-	-	-	[12]	-	OTP programming voltage.
VDDIO	D7, E12, F7, F8, G10, H10, J6, J7, K7, L9, L10, N7, N13	F10, K5	5, 36, 41, 71, 77, 107, 111, 141	6, 52, 57, 102, 110, 155, 160, 202	[12]	-	I/O power supply.
VSS	G9, H7, J10, J11, K8	C8, D4, D5, G8, J3, J6	-	-	[13]	-	Ground.
VSSIO	C4, D13, G6, G7, G8, H8, H9, J8, J9, K9, K10, M13, P7, P13	-	4, 40, 76, 109	5, 56, 109, 157	[13]	-	Ground.
VSSA	B2	C2	135	196	-	-	Analog ground.

[1] N = neutral, input buffer disabled; no extra VDDIO current consumption if the input is driven midway between supplies; set the EZI bit in the SFS register to enable the input buffer; I = input, OL = output driving LOW; OH = output driving HIGH; AI/O = analog input/output; IA = inactive; PU = pull-up enabled (weak pull-up resistor pulls up pin to VDDIO; F = floating. Reset state reflects the pin state at reset without boot code operation.

[2] 5 V tolerant pad with 15 ns glitch filter (5 V tolerant if VDDIO present; if VDDIO not present, do not exceed 3.6 V); provides digital I/O functions with TTL levels and hysteresis; normal drive strength.

- [3] 5 V tolerant pad with 15 ns glitch filter (5 V tolerant if VDDIO present; if VDDIO not present, do not exceed 3.6 V) providing digital I/O functions with TTL levels, and hysteresis; high drive strength.
- [4] 5 V tolerant pad with 15 ns glitch filter (5 V tolerant if VDDIO present; if VDDIO not present, do not exceed 3.6 V) providing high-speed digital I/O functions with TTL levels and hysteresis.
- [5] 5 V tolerant pad providing digital I/O functions (with TTL levels and hysteresis) and analog input or output (5 V tolerant if VDDIO present; if VDDIO not present, do not exceed 3.6 V). When configured as an ADC input or DAC output, the pin is not 5 V tolerant. For analog functionality, disable the digital section of the pad by setting the pin to an input function and by disabling the pull-up resistor through the corresponding SFSP register.
- [6] 5 V tolerant transparent analog pad.
- [7] For maximum load $C_L = 6.5 \mu\text{F}$ and maximum resistance $R_{pd} = 80 \text{ k}\Omega$, the VBUS signal takes about 2 s to fall from $\text{VBUS} = 5 \text{ V}$ to $\text{VBUS} = 0.2 \text{ V}$ when it is no longer driven.
- [8] Transparent analog pad. Not 5 V tolerant.
- [9] Pad provides USB functions; It is designed in accordance with the USB specification, revision 2.0 (Full-speed and Low-speed mode only).
- [10] Open-drain 5 V tolerant digital I/O pad, compatible with I²C-bus Fast Mode Plus specification. This pad requires an external pull-up to provide output functionality. When power is switched off, this pin connected to the I²C-bus is floating and does not disturb the I²C lines.
- [11] 5 V tolerant pad with 20 ns glitch filter; provides digital I/O functions with open-drain output with weak pull-up resistor and hysteresis.
- [12] On the LQFP208 package, VPP is internally connected to VDDIO.
- [13] On the LQFP208 package, VSSIO and VSS are connected to a common ground plane.

7. Functional description

7.1 Architectural overview

The ARM Cortex-M3 includes three AHB-Lite buses: the system bus, the I-code bus, and the D-code bus. The I-code and D-code core buses allow for concurrent code and data accesses from different slave ports.

The LPC185x/3x/2x/1x use a multi-layer AHB matrix to connect the ARM Cortex-M3 buses and other bus masters to peripherals. Flexible connections allow different bus masters to access peripherals that are on different slave ports of the matrix simultaneously.

7.2 ARM Cortex-M3 processor

The ARM Cortex-M3 is a general purpose, 32-bit microprocessor, which offers high performance and low-power consumption. The ARM Cortex-M3 offers many new features, including a Thumb-2 instruction set, low interrupt latency, hardware multiply and divide, interruptable/continuable multiple load and store instructions, automatic state save and restore for interrupts, tightly integrated interrupt controller with wake-up interrupt controller, and multiple core buses capable of simultaneous accesses.

Pipeline techniques are employed so that all parts of the processing and memory systems can operate continuously. Typically, while one instruction is being executed, its successor is being decoded, and a third instruction is being fetched from memory.

The ARM Cortex-M3 processor is described in detail in the Cortex-M3 Technical Reference Manual.

7.3 System Tick timer (SysTick)

The ARM Cortex-M3 includes a system tick timer (SYSTICK) that is intended to generate a dedicated SYSTICK exception at a 10 ms interval.

7.4 AHB multilayer matrix

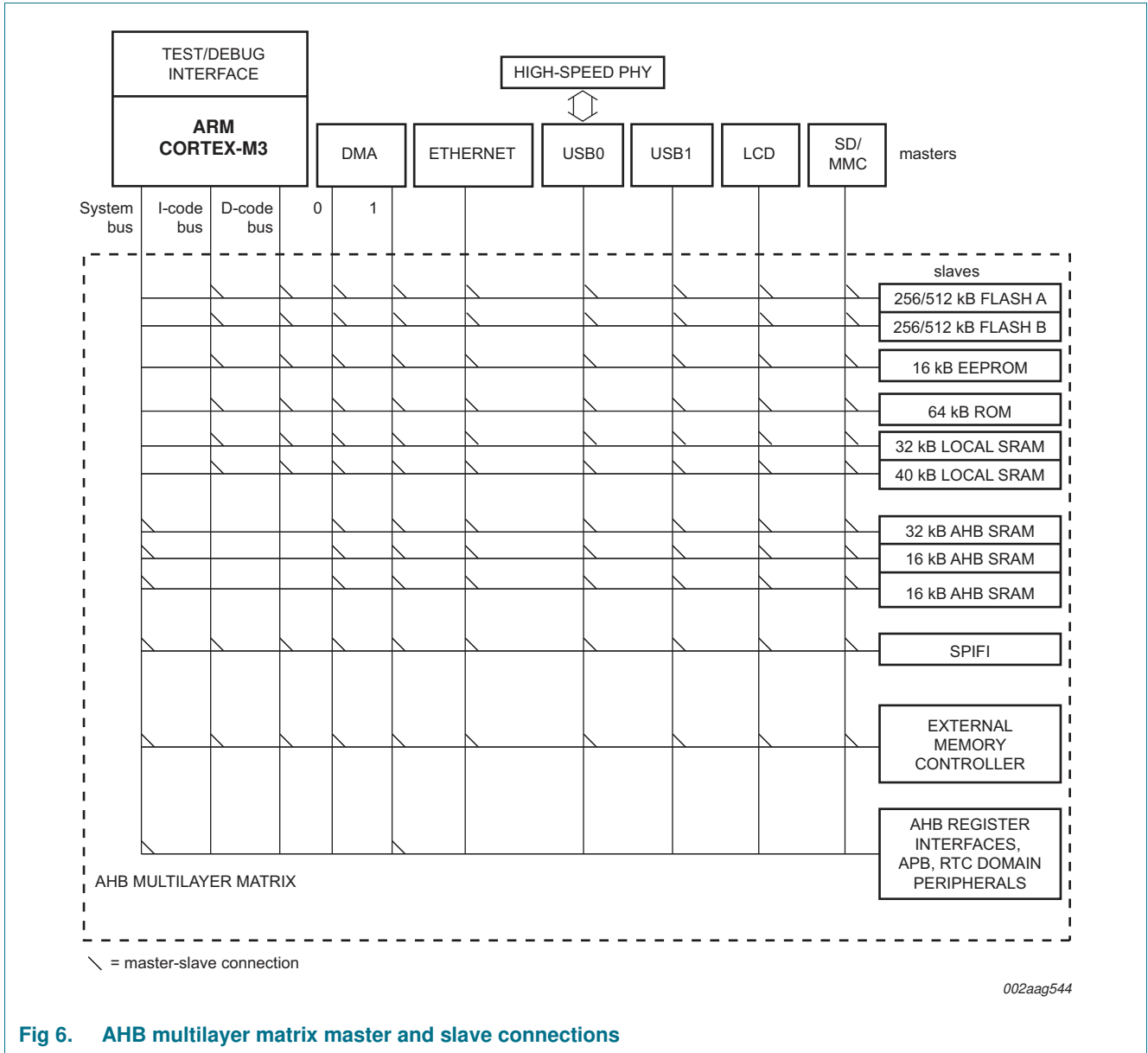


Fig 6. AHB multilayer matrix master and slave connections

7.5 Nested Vectored Interrupt Controller (NVIC)

The NVIC is part of the Cortex-M3. The tight coupling to the CPU allows for low interrupt latency and efficient processing of late arriving interrupts.

7.5.1 Features

- Controls system exceptions and peripheral interrupts.
- On the LPC185x/3x/2x/1x, the NVIC supports 53 vectored interrupts.
- Eight programmable interrupt priority levels, with hardware priority level masking.
- Relocatable vector table.

- Non-Maskable Interrupt (NMI).
- Software interrupt generation.

7.5.2 Interrupt sources

Each peripheral device has one interrupt line connected to the NVIC but can have several interrupt flags. Individual interrupt flags can also represent more than one interrupt source.

7.6 Event router

The event router combines various internal signals, interrupts, and the external interrupt pins (WAKEUP[3:0]) to create an interrupt in the NVIC, if enabled. In addition, the event router creates a wake-up signal to the ARM core and the CCU for waking up from Sleep, Deep-sleep, Power-down, and Deep power-down modes. Individual events can be configured as edge or level sensitive and can be enabled or disabled in the event router. The event router can be battery powered.

The following events if enabled in the event router can create a wake-up signal from sleep, deep-sleep, power-down, and deep power-down modes and/or create an interrupt:

- External pins WAKEUP0/1/2/3 and $\overline{\text{RESET}}$
- Alarm timer, RTC (32 kHz oscillator running)

The following events if enabled in the event router can create a wake-up signal from sleep mode only and/or create an interrupt:

- WWDT, BOD interrupts
- C_CAN0/1 and QEI interrupts
- Ethernet, USB0, USB1 signals
- Selected outputs of combined timers (SCT and timer0/1/3)

Remark: Any interrupt can wake up the ARM Cortex-M3 from sleep mode if enabled in the NVIC.

7.7 Global Input Multiplexer Array (GIMA)

The GIMA routes signals to event-driven peripheral targets like the SCT, timers, event router, or the ADCs.

7.7.1 Features

- Single selection of a source.
- Signal inversion.
- Can capture a pulse if the input event source is faster than the target clock.
- Synchronization of input event and target clock.
- Single-cycle pulse generation for target.

7.8 On-chip static RAM

The LPC185x/3x/2x/1x support up to 136 kB SRAM with separate bus master access for higher throughput and individual power control for low-power operation.

7.9 On-chip flash memory

The LPC185x/3x/2x/1x contain up to 1 MB of dual-bank flash program memory. With dual-bank flash memory, the user code can write or erase one flash bank while reading the other flash bank without interruption. A two-port flash accelerator maximizes the flash performance.

In-System Programming (ISP) and In-Application Programming (IAP) routines for programming the flash memory are provided in the Boot ROM.

7.10 EEPROM

The LPC185x/3x/2x/1x contain up to 16 kB of on-chip byte-erasable and byte-programmable EEPROM memory.

The EEPROM memory is divided into 128 pages. The user can access pages 1 through 127. Page 128 is protected.

7.11 Boot ROM

The internal ROM memory is used to store the boot code of the LPC185x/3x/2x/1x. After a reset, the ARM processor will start its code execution from this memory.

The boot ROM memory includes the following features:

- The ROM memory size is 64 kB.
- Supports booting from external static memory such as NOR flash, SPI flash, quad SPI flash, USB0, and USB1.
- Includes API for OTP programming.
- Includes a flexible USB device stack that supports Human Interface Device (HID), Mass Storage Class (MSC), and Device Firmware Upgrade (DFU) drivers.

The default boot source is the flash memory. Several other boot modes are available if P2_7 is LOW on reset depending on the values of the OTP bits BOOT_SRC. If the OTP memory is not programmed or the BOOT_SRC bits are all zero, the states of the boot pins P2_9, P2_8, P1_2, and P1_1 determine the boot mode.

Table 4. Boot mode when OTP BOOT_SRC bits are programmed

Boot mode	BOOT_SRC bit 3	BOOT_SRC bit 2	BOOT_SRC bit 1	BOOT_SRC bit 0	Description
Pin state	0	0	0	0	The reset state of P1_1, P1_2, P2_8, and P2_9 pins determines the boot source. See Table 5 .
USART0	0	0	0	1	Enter ISP mode using USART0 functions on pins P2_0 and P2_1.
SPIFI	0	0	1	0	Boot from Quad SPI flash connected to the SPIFI interface using pins P3_3 to P3_8.
EMC 8-bit	0	0	1	1	Boot from external static memory (such as NOR flash) using CS0 and an 8-bit data bus.
EMC 16-bit	0	1	0	0	Boot from external static memory (such as NOR flash) using CS0 and a 16-bit data bus.
EMC 32-bit	0	1	0	1	Boot from external static memory (such as NOR flash) using CS0 and a 32-bit data bus.

Table 4. Boot mode when OTP BOOT_SRC bits are programmed

Boot mode	BOOT_SRC bit 3	BOOT_SRC bit 2	BOOT_SRC bit 1	BOOT_SRC bit 0	Description
USB0	0	1	1	0	Boot from USB0.
USB1	0	1	1	1	Boot from USB1.
SPI (SSP)	1	0	0	0	Boot from SPI flash connected to the SSP0 interface on P3_3 (function SSP0_SCK), P3_6 (function SSP0_SSEL), P3_7 (function SSP0_MISO), and P3_8 (function SSP0_MOSI) [1] .
USART3	1	0	0	1	Enter ISP mode using USART3 functions on pins P2_3 and P2_4.

[1] The boot loader programs the appropriate pin function at reset to boot using either SSP0 or SPIFI.

Remark: Pin functions for SPIFI and SSP0 boot are different.

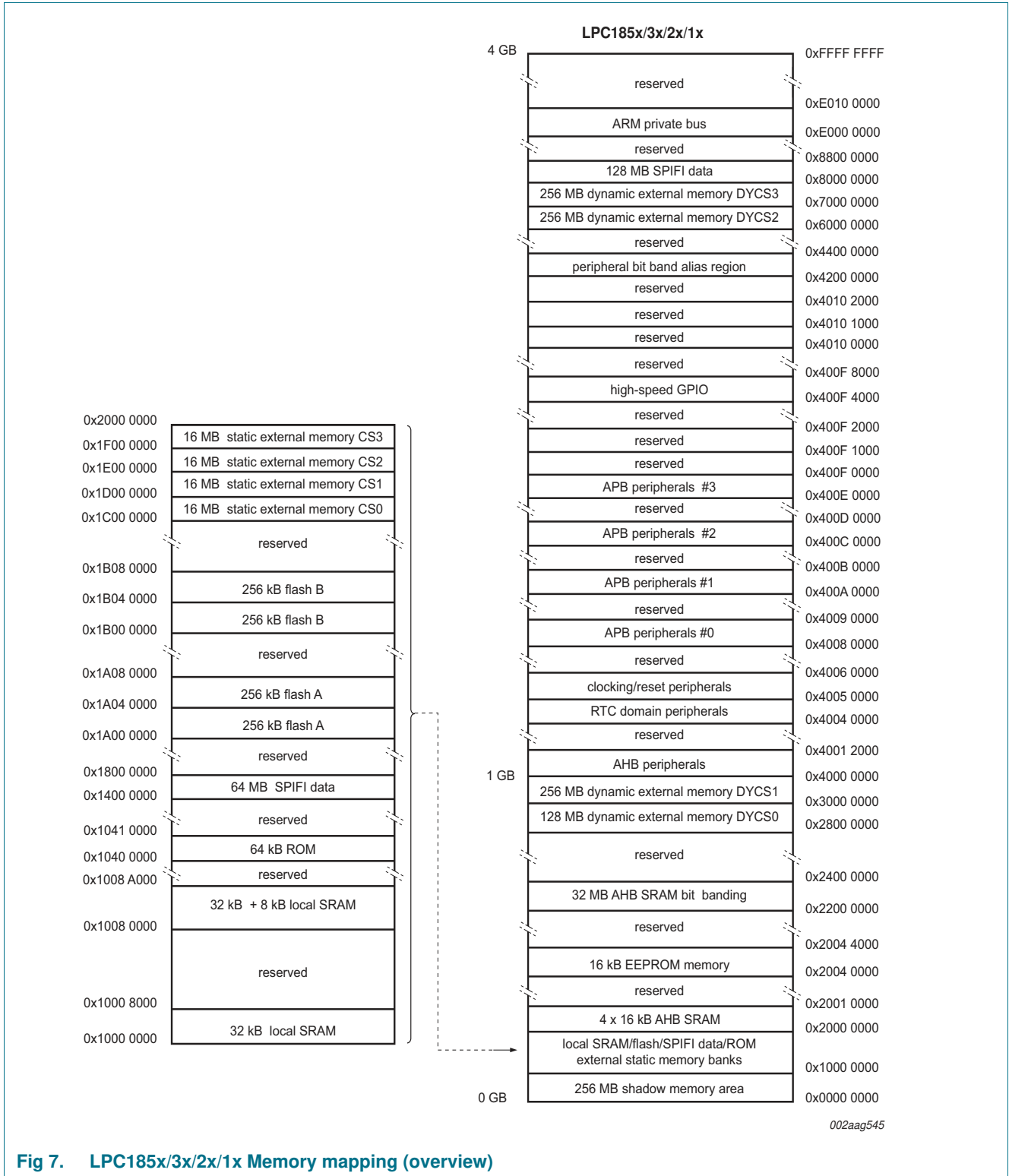
Table 5. Boot mode when OPT BOOT_SRC bits are zero

Boot mode	Pins				Description
	P2_9	P2_8	P1_2	P1_1	
USART0	LOW	LOW	LOW	LOW	Enter ISP mode using USART0 pins P2_0 and P2_1.
SPIFI	LOW	LOW	LOW	HIGH	Boot from Quad SPI flash connected to the SPIFI interface on P3_3 to P3_8 [1] .
EMC 8-bit	LOW	LOW	HIGH	LOW	Boot from external static memory (such as NOR flash) using CS0 and an 8-bit data bus.
EMC 16-bit	LOW	LOW	HIGH	HIGH	Boot from external static memory (such as NOR flash) using CS0 and a 16-bit data bus.
EMC 32-bit	LOW	HIGH	LOW	LOW	Boot from external static memory (such as NOR flash) using CS0 and a 32-bit data bus.
USB0	LOW	HIGH	LOW	HIGH	Boot from USB0
USB1	LOW	HIGH	HIGH	LOW	Boot from USB1.
SPI (SSP)	LOW	HIGH	HIGH	HIGH	Boot from SPI flash connected to the SSP0 interface on P3_3 (function SSP0_SCK), P3_6 (function SSP0_SSEL), P3_7 (function SSP0_MISO), and P3_8 (function SSP0_MOSI) [1] .
USART3	HIGH	LOW	LOW	LOW	Enter ISP mode using USART3 pins P2_3 and P2_4.

[1] The boot loader programs the appropriate pin function at reset to boot using either SSP0 or SPIFI.

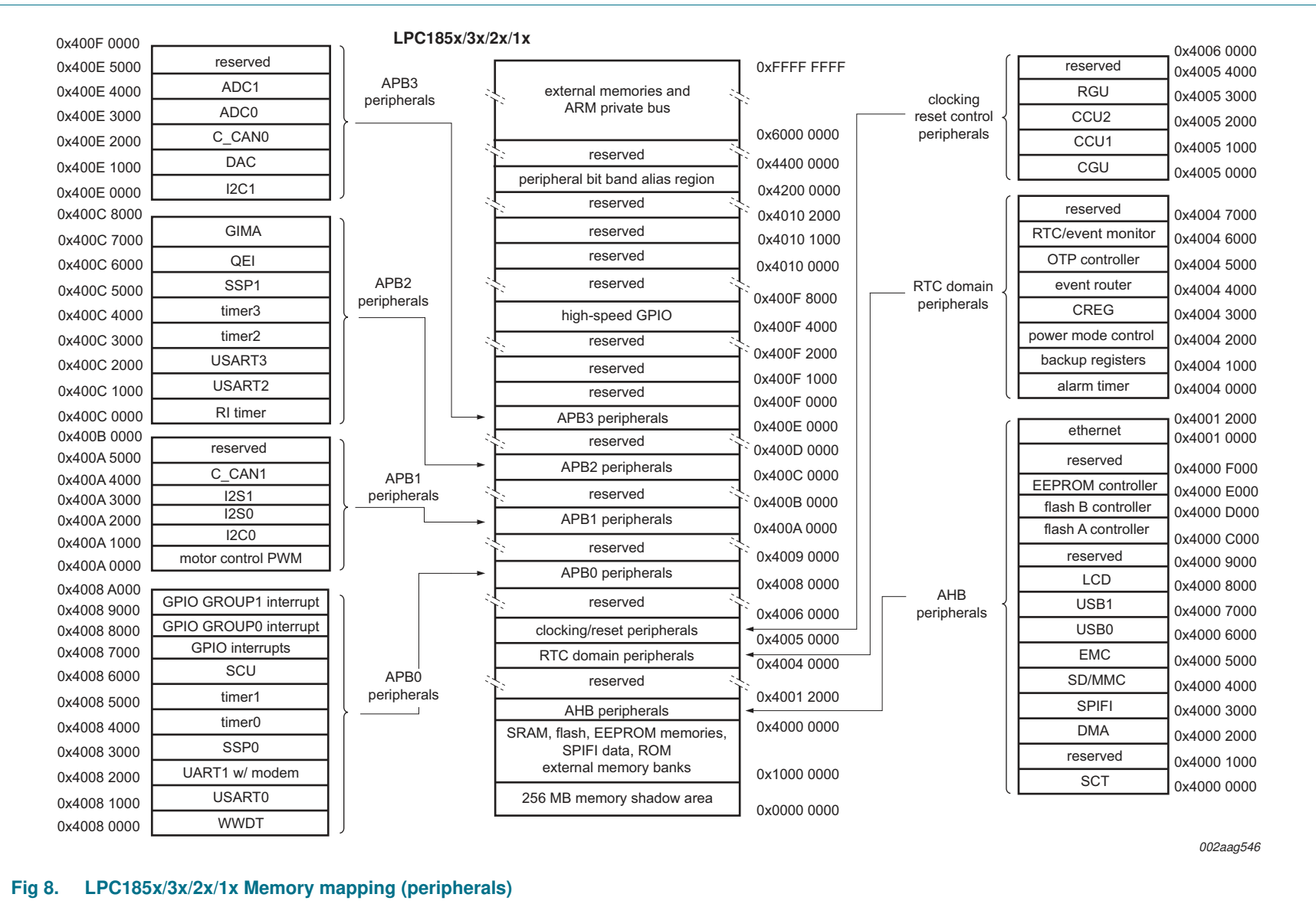
Remark: Pin functions for SPIFI and SSP0 boot are different.

7.12 Memory mapping



002aag545

Fig 7. LPC185x/3x/2x/1x Memory mapping (overview)



002aag546

Fig 8. LPC185x/3x/2x/1x Memory mapping (peripherals)

7.13 One-Time Programmable (OTP) memory

The OTP provides 64 bit of memory for general-purpose use.

7.14 General-Purpose I/O (GPIO)

The LPC185x/3x/2x/1x provides 8 GPIO ports with up to 31 GPIO pins each.

Device pins that are not connected to a specific peripheral function are controlled by the GPIO registers. Pins may be dynamically configured as inputs or outputs. Separate registers allow setting or clearing any number of outputs simultaneously. The value of the output register may be read back as well as the current state of the port pins.

All GPIO pins default to inputs with pull-up resistors enabled and input buffer disabled on reset. The input buffer must be turned on in the system control block SFS register before the GPIO input can be read.

7.14.1 Features

- Accelerated GPIO functions:
 - GPIO registers are located on the AHB so that the fastest possible I/O timing can be achieved.
 - Mask registers allow treating sets of port bits as a group, leaving other bits unchanged.
 - All GPIO registers are byte and half-word addressable.
 - Entire port value can be written in one instruction.
- Bit-level set and clear registers allow a single instruction set or clear of any number of bits in one port.
- Direction control of individual bits.
- Up to eight GPIO pins can be selected from all GPIO pins to create an edge- or level-sensitive GPIO interrupt request.
- Two GPIO group interrupts can be triggered by any pin or pins in each port.

7.15 AHB peripherals

7.15.1 State Configurable Timer (SCT) subsystem

The SCT allows a wide variety of timing, counting, output modulation, and input capture operations. The inputs and outputs of the SCT are shared with the capture and match inputs/outputs of the 32-bit general-purpose counter/timers.

The SCT can be configured as two 16-bit counters or a unified 32-bit counter. In the two-counter case, in addition to the counter value the following operational elements are independent for each half:

- State variable
- Limit, halt, stop, and start conditions
- Values of Match/Capture registers, plus reload or capture control values

In the two-counter case, the following operational elements are global to the SCT, but the last three can use match conditions from either counter:

- Clock selection
- Inputs
- Events
- Outputs
- Interrupts

7.15.1.1 Features

- Two 16-bit counters or one 32-bit counter.
- Counters clocked by bus clock or selected input.
- Up counters or up-down counters.
- State variable allows sequencing across multiple counter cycles.
- The following conditions define an event: a counter match condition, an input (or output) condition, a combination of a match and/or and input/output condition in a specified state.
- Events control outputs, interrupts, and DMA requests.
 - Match register 0 can be used as an automatic limit.
 - In bi-directional mode, events can be enabled based on the count direction.
 - Match events can be held until another qualifying event occurs.
- Selected events can limit, halt, start, or stop a counter.
- Supports:
 - 8 inputs
 - 16 outputs
 - 16 match/capture registers
 - 16 events
 - 32 states
 - Match register 0 to 5 support a fractional component for the dither engine

7.15.2 General-Purpose DMA

The DMA controller allows peripheral-to memory, memory-to-peripheral, peripheral-to-peripheral, and memory-to-memory transactions. Each DMA stream provides unidirectional serial DMA transfers for a single source and destination. For example, a bidirectional port requires one stream for transmit and one for receives. The source and destination areas can each be either a memory region or a peripheral for master 1, but only memory for master 0.

7.15.2.1 Features

- Eight DMA channels. Each channel can support a unidirectional transfer.
- 16 DMA request lines.
- Single DMA and burst DMA request signals. Each peripheral connected to the DMA Controller can assert either a burst DMA request or a single DMA request. The DMA burst size is set by programming the DMA Controller.
- Memory-to-memory, memory-to-peripheral, peripheral-to-memory, and peripheral-to-peripheral transfers are supported.

- Scatter or gather DMA is supported through the use of linked lists. This means that the source and destination areas do not have to occupy contiguous areas of memory.
- Hardware DMA channel priority.
- AHB slave DMA programming interface. The DMA Controller is programmed by writing to the DMA control registers over the AHB slave interface.
- Two AHB bus masters for transferring data. These interfaces transfer data when a DMA request goes active. Master 1 can access memories and peripherals, master 0 can access memories only.
- 32-bit AHB master bus width.
- Incrementing or non-incrementing addressing for source and destination.
- Programmable DMA burst size. The DMA burst size can be programmed to more efficiently transfer data.
- Internal four-word FIFO per channel.
- Supports 8, 16, and 32-bit wide transactions.
- Big-endian and little-endian support. The DMA Controller defaults to little-endian mode on reset.
- An interrupt to the processor can be generated on a DMA completion or when a DMA error has occurred.
- Raw interrupt status. The DMA error and DMA count raw interrupt status can be read prior to masking.

7.15.3 SPI Flash Interface (SPIFI)

The SPI Flash Interface allows low-cost serial flash memories to be connected to the ARM Cortex-M3 processor with little performance penalty compared to parallel flash devices with higher pin count.

After a few commands configure the interface at startup, the entire flash content is accessible as normal memory using byte, halfword, and word accesses by the processor and/or DMA channels. Simple sequences of commands handle erasure and programming.

Many serial flash devices use a half-duplex command-driven SPI protocol for device setup and initialization and then move to a half-duplex, command-driven 4-bit protocol for normal operation. Different serial flash vendors and devices accept or require different commands and command formats. SPIFI provides sufficient flexibility to be compatible with common flash devices and includes extensions to help insure compatibility with future devices.

7.15.3.1 Features

- Interfaces to serial flash memory in the main memory map.
- Supports classic and 4-bit bidirectional serial protocols.
- Half-duplex protocol compatible with various vendors and devices.
- Quad SPI Flash Interface (SPIFI) with 1-, 2-, or 4-bit data at rates of up to 52 MB per second.
- Supports DMA access.

7.15.4 SD/MMC card interface

The SD/MMC card interface supports the following modes:

- Secure Digital memory (SD version 3.0)
- Secure Digital I/O (SDIO version 2.0)
- Consumer Electronics Advanced Transport Architecture (CE-ATA version 1.1)
- Multimedia Cards (MMC version 4.4)

7.15.5 External Memory Controller (EMC)

Remark: The EMC is available on all LPC185x/3x/2x/1x parts. The following memory bus widths are supported:

- LPGA256 packages: 32 bit
- TFBGA100 packages: 8 bit
- LQFP208 packages: 16 bit
- LQFP144 packages: 16 bit

The LPC185x/3x/2x/1x EMC is a Memory Controller peripheral offering support for asynchronous static memory devices such as RAM, ROM, and NOR flash. In addition, it can be used as an interface with off-chip memory-mapped devices and peripherals.

Table 6. EMC pinout for different packages

Function	LPGA256	TFBGA100	LQFP208	LQFP144
A	EMC_A[23:0]	EMC_A[13:0]	EMC_A[23:0]	EMC_A[15:0]
D	EMC_D[31:0]	EMC_D[7:0]	EMC_D[15:0]	EMC_D[15:0]
$\overline{\text{BLS}}$	$\overline{\text{EMC_BLS}}[3:0]$	$\overline{\text{EMC_BLS0}}$	$\overline{\text{EMC_BLS}}[1:0]$	$\overline{\text{EMC_BLS}}[1:0]$
$\overline{\text{CS}}$	$\overline{\text{EMC_CS}}[3:0]$	$\overline{\text{EMC_CS0}}$	$\overline{\text{EMC_CS}}[1:0]$	$\overline{\text{EMC_CS}}[1:0]$
$\overline{\text{OE}}$	$\overline{\text{EMC_OE}}$	$\overline{\text{EMC_OE}}$	$\overline{\text{EMC_OE}}$	$\overline{\text{EMC_OE}}$
$\overline{\text{WE}}$	$\overline{\text{EMC_WE}}$	$\overline{\text{EMC_WE}}$	$\overline{\text{EMC_WE}}$	$\overline{\text{EMC_WE}}$
$\overline{\text{CKEOUT}}$	$\overline{\text{EMC_CKEOUT}}[3:0]$	$\overline{\text{EMC_CKEOUT}}[1:0]$	$\overline{\text{EMC_CKEOUT}}[1:0]$	$\overline{\text{EMC_CKEOUT}}[1:0]$
CLK	EMC_CLK[3:0]; EMC_CLK01, EMC_CLK23	EMC_CLK0, EMC_CLK3; EMC_CLK01, EMC_CLK23	EMC_CLK0, EMC_CLK3; EMC_CLK01, EMC_CLK23	EMC_CLK0, EMC_CLK3; EMC_CLK01, EMC_CLK23
$\overline{\text{DQMOUT}}$	$\overline{\text{EMC_DQMOUT}}[3:0]$	-	$\overline{\text{EMC_DQMOUT}}[1:0]$	$\overline{\text{EMC_DQMOUT}}[1:0]$
DYCS	$\overline{\text{EMC_DYCS}}[3:0]$	$\overline{\text{EMC_DYCS}}[1:0]$	$\overline{\text{EMC_DYCS}}[1:0]$	$\overline{\text{EMC_DYCS}}[1:0]$
$\overline{\text{CAS}}$	$\overline{\text{EMC_CAS}}$	$\overline{\text{EMC_CAS}}$	$\overline{\text{EMC_CAS}}$	$\overline{\text{EMC_CAS}}$
$\overline{\text{RAS}}$	$\overline{\text{EMC_RAS}}$	$\overline{\text{EMC_RAS}}$	$\overline{\text{EMC_RAS}}$	$\overline{\text{EMC_RAS}}$

7.15.5.1 Features

- Dynamic memory interface support including single data rate SDRAM.
- Asynchronous static memory device support including RAM, ROM, and NOR flash, with or without asynchronous page mode.
- Low transaction latency.

- Read and write buffers to reduce latency and to improve performance.
- 8/16/32 data and 24 address lines-wide static memory support.
- 16-bit and 32-bit wide chip select SDRAM memory support.
- Static memory features include:
 - Asynchronous page mode read
 - Programmable Wait States
 - Bus turnaround delay
 - Output enable and write enable delays
 - Extended wait
- Four chip selects for synchronous memory and four chip selects for static memory devices.
- Power-saving modes dynamically control CKE and CLKOUT to SDRAMs.
- Software-controlled dynamic memory self-refresh mode.
- Controller supports 2048 (A0 to A10), 4096 (A0 to A11), and 8192 (A0 to A12) row address synchronous memory parts. Those are typically 512 MB, 256 MB, and 128 MB parts.
- Separate reset domains allow auto-refresh through a chip reset if desired.

Note: Synchronous static memory devices (synchronous burst mode) are not supported.

7.15.6 High-speed USB Host/Device/OTG interface (USB0)

Remark: USB0 is available on the following parts: LPC185x, LPC183x, LPC182x. USB0 is not available on the LPC181x parts.

The USB OTG module allows the part to connect directly to a USB host such as a PC (in device mode) or to a USB device in host mode.

7.15.6.1 Features

- On-chip UTMI+ compliant high-speed transceiver (PHY).
- Complies with *Universal Serial Bus specification 2.0*.
- Complies with *USB On-The-Go supplement*.
- Complies with *Enhanced Host Controller Interface Specification*.
- Supports auto USB 2.0 mode discovery.
- Supports all high-speed USB-compliant peripherals.
- Supports all full-speed USB-compliant peripherals.
- Supports software Host Negotiation Protocol (HNP) and Session Request Protocol (SRP) for OTG peripherals.
- Supports interrupts.
- Supports Start Of Frame (SOF) frame length adjust.
- This module has its own, integrated DMA engine.
- USB interface electrical test software included in ROM USB stack.

7.15.7 High-speed USB Host/Device interface with ULPI (USB1)

Remark: USB1 is available on the following parts: LPC185x and LPC183x. USB1 is not available on the LPC182x and LPC181x parts.

The USB1 interface can operate as a full-speed USB host/device interface or can connect to an external ULPI PHY for High-speed operation.

7.15.7.1 Features

- Complies with *Universal Serial Bus specification 2.0*.
- Complies with *Enhanced Host Controller Interface Specification*.
- Supports auto USB 2.0 mode discovery.
- Supports all high-speed USB-compliant peripherals if connected to external ULPI PHY.
- Supports all full-speed USB-compliant peripherals.
- Supports interrupts.
- Supports Start Of Frame (SOF) frame length adjust.
- This module has its own, integrated DMA engine.
- USB interface electrical test software included in ROM USB stack.

7.15.8 LCD controller

Remark: The LCD controller is only available on parts LPC185x. LCD is not available on parts LPC183x, LPC182x, and LPC181x.

The LCD controller provides all of the necessary control signals to interface directly to various color and monochrome LCD panels. Both STN (single and dual panel) and TFT panels can be operated. The display resolution is selectable and can be up to 1024 × 768 pixels. Several color modes are provided, up to a 24-bit true-color non-palettized mode. An on-chip 512 byte color palette allows reducing bus utilization (that is, memory size of the displayed data) while still supporting many colors.

The LCD interface includes its own DMA controller to allow it to operate independently of the CPU and other system functions. A built-in FIFO acts as a buffer for display data, providing flexibility for system timing. Hardware cursor support can further reduce the amount of CPU time required to operate the display.

7.15.8.1 Features

- AHB master interface to access frame buffer.
- Setup and control via a separate AHB slave interface.
- Dual 16-deep programmable 64-bit wide FIFOs for buffering incoming display data.
- Supports single and dual-panel monochrome Super Twisted Nematic (STN) displays with 4-bit or 8-bit interfaces.
- Supports single and dual-panel color STN displays.
- Supports Thin Film Transistor (TFT) color displays.
- Programmable display resolution including, but not limited to: 320 × 200, 320 × 240, 640 × 200, 640 × 240, 640 × 480, 800 × 600, and 1024 × 768.
- Hardware cursor support for single-panel displays.

- 15 gray-level monochrome, 3375 color STN, and 32 K color palettized TFT support.
- 1, 2, or 4 bits-per-pixel (bpp) palettized displays for monochrome STN.
- 1, 2, 4, or 8 bpp palettized color displays for color STN and TFT.
- 16 bpp true-color non-palettized for color STN and TFT.
- 24 bpp true-color non-palettized for color TFT.
- Programmable timing for different display panels.
- 256 entry, 16-bit palette RAM, arranged as a 128 × 32-bit RAM.
- Frame, line, and pixel clock signals.
- AC bias signal for STN, data enable signal for TFT panels.
- Supports little and big-endian, and Windows CE data formats.
- LCD panel clock can be generated from the peripheral clock, or from a clock input pin.

7.15.9 Ethernet

Remark: The ethernet controller is available on parts LPC185x and LPC183x. Ethernet is not available on parts LPC182x and LPC181x.

7.15.9.1 Features

- 10/100 Mbit/s
- DMA support
- Power management remote wake-up frame and magic packet detection
- Supports both full-duplex and half-duplex operation
 - Supports CSMA/CD Protocol for half-duplex operation.
 - Supports IEEE 802.3x flow control for full-duplex operation.
 - Optional forwarding of received pause control frames to the user application in full-duplex operation.
 - Back-pressure support for half-duplex operation.
 - Automatic transmission of zero-quanta pause frame on deassertion of flow control input in full-duplex operation.
- Support for IEEE 1588 time stamping and IEEE 1588 advanced time stamping (IEEE 1588-2008 v2).

7.16 Digital serial peripherals

7.16.1 UART

Remark: The LPC185x/3x/2x/1x contain one UART with standard transmit and receive data lines.

UART1 also provides a full modem control handshake interface and support for RS-485/9-bit mode allowing both software address detection and automatic address detection using 9-bit mode.

UART1 includes a fractional baud rate generator. Standard baud rates such as 115200 Bd can be achieved with any crystal frequency above 2 MHz.

7.16.1.1 Features

- Maximum UART data bit rate of 8 MBit/s.
- 16 B Receive and Transmit FIFOs.
- Register locations conform to 16C550 industry standard.
- Receiver FIFO trigger points at 1 B, 4 B, 8 B, and 14 B.
- Built-in fractional baud rate generator covering wide range of baud rates without a need for external crystals of particular values.
- Auto baud capabilities and FIFO control mechanism that enables software flow control implementation.
- Equipped with standard modem interface signals. This module also provides full support for hardware flow control (auto-CTS/RTS).
- Support for RS-485/9-bit/EIA-485 mode (UART1).
- DMA support.

7.16.2 USART

Remark: The LPC185x/3x/2x/1x contain three USARTs. In addition to standard transmit and receive data lines, the USARTs support a synchronous mode and a smart card mode.

The USARTs include a fractional baud rate generator. Standard baud rates such as 115200 Bd can be achieved with any crystal frequency above 2 MHz.

7.16.2.1 Features

- Maximum UART data bit rate of 8 MBit/s.
- 16 B Receive and Transmit FIFOs.
- Register locations conform to 16C550 industry standard.
- Receiver FIFO trigger points at 1 B, 4 B, 8 B, and 14 B.
- Built-in fractional baud rate generator covering wide range of baud rates without a need for external crystals of particular values.
- Auto baud capabilities and FIFO control mechanism that enables software flow control implementation.
- Support for RS-485/9-bit/EIA-485 mode.
- USART3 includes an IrDA mode to support infrared communication.
- All USARTs have DMA support.
- Support for synchronous mode at a data bit rate of up to 8 Mbit/s.
- Smart card mode conforming to ISO7816 specification

7.16.3 SSP serial I/O controller

Remark: The LPC185x/3x/2x/1x contain two SSP controllers.

The SSP controller can operate on a SPI, 4-wire SSI, or Microwire bus. It can interact with multiple masters and slaves on the bus. Only a single master and a single slave can communicate on the bus during a given data transfer. The SSP supports full-duplex

transfers, with frames of 4 bit to 16 bit of data flowing from the master to the slave and from the slave to the master. In practice, often only one of these data flows carries meaningful data.

7.16.3.1 Features

- Maximum SSP speed in full-duplex mode of 25 Mbit/s; for transmit only 50 Mbit/s (master) and 15 Mbit/s (slave)
- Compatible with Motorola SPI, 4-wire Texas Instruments SSI, and National Semiconductor Microwire buses
- Synchronous serial communication
- Master or slave operation
- Eight-frame FIFOs for both transmit and receive
- 4-bit to 16-bit frame
- Connected to the GPDMA

7.16.4 I²C-bus interface

Remark: The LPC185x/3x/2x/1x contain two I²C-bus interfaces.

The I²C-bus is bidirectional for inter-IC control using only two wires: a Serial Clock line (SCL) and a Serial Data line (SDA). Each device is recognized by a unique address and can operate as either a receiver-only device (for example, an LCD driver) or a transmitter with the capability to both receive and send information (such as memory). Transmitters and/or receivers can operate in either master or slave mode, depending on whether the chip has to initiate a data transfer or is only addressed. The I²C-bus interface is a multi-master bus and can be controlled by more than one bus master connected to it.

7.16.4.1 Features

- I²C0 is a standard I²C-bus compliant bus interface with open-drain pins. I²C0 also supports Fast mode plus with bit rates up to 1 Mbit/s.
- I²C1 uses standard I/O pins with bit rates of up to 400 kbit/s (Fast I²C-bus).
- Easy to configure as master, slave, or master/slave.
- Programmable clocks allow versatile rate control.
- Bidirectional data transfer between masters and slaves.
- Multi-master bus (no central master).
- Arbitration between simultaneously transmitting masters without corruption of serial data on the bus.
- Serial clock synchronization allows devices with different bit rates to communicate via one serial bus.
- Serial clock synchronization can be used as a handshake mechanism to suspend and resume serial transfer.
- The I²C-bus can be used for test and diagnostic purposes.
- All I²C-bus controllers support multiple address recognition and a bus monitor mode.

7.16.5 I²S interface

Remark: The LPC185x/3x/2x/1x contain two I²S interfaces.

The I²S-bus provides a standard communication interface for digital audio applications.

The *I²S-bus specification* defines a 3-wire serial bus using one data line, one clock line, and one word select signal. The basic I²S-bus connection has one master, which is always the master, and one slave. The I²S-bus interface provides a separate transmit and receive channel, each of which can operate as either a master or a slave.

7.16.5.1 Features

- The interface has separate input/output channels each of which can operate in master or slave mode.
- Capable of handling 8-bit, 16-bit, and 32-bit word sizes.
- Mono and stereo audio data supported.
- The sampling frequency can range from 16 kHz to 192 kHz (16, 22.05, 32, 44.1, 48, 96, 192) kHz.
- Support for an audio master clock.
- Configurable word select period in master mode (separately for I²S-bus input and output).
- Two 8-word FIFO data buffers are provided, one for transmit and one for receive.
- Generates interrupt requests when buffer levels cross a programmable boundary.
- Two DMA requests, controlled by programmable buffer levels. The DMA requests are connected to the GPDMA block.
- Controls include reset, stop and mute options separately for I²S-bus input and I²S-bus output.

7.16.6 C_CAN

Remark: The LPC185x/3x/2x/1x contain two C_CAN controllers.

Controller Area Network (CAN) is the definition of a high performance communication protocol for serial data communication. The C_CAN controller is designed to provide a full implementation of the CAN protocol according to the CAN Specification Version 2.0B. The C_CAN controller can build powerful local networks with low-cost multiplex wiring by supporting distributed real-time control with a high level of reliability.

7.16.6.1 Features

- Conforms to protocol version 2.0 parts A and B.
- Supports bit rate of up to 1 Mbit/s.
- Supports 32 Message Objects.
- Each Message Object has its own identifier mask.
- Provides programmable FIFO mode (concatenation of Message Objects).
- Provides maskable interrupts.
- Supports Disabled Automatic Retransmission (DAR) mode for time-triggered CAN applications.
- Provides programmable loop-back mode for self-test operation.

7.17 Counter/timers and motor control

7.17.1 General purpose 32-bit timers/external event counter

Remark: The LPC185x/3x/2x/1x include four 32-bit timer/counters.

The timer/counter is designed to count cycles of the system derived clock or an externally supplied clock. It can optionally generate interrupts, generate timed DMA requests, or perform other actions at specified timer values, based on four match registers. Each timer/counter also includes two capture inputs to trap the timer value when an input signal transitions, optionally generating an interrupt.

7.17.1.1 Features

- A 32-bit timer/counter with a programmable 32-bit prescaler.
- Counter or timer operation.
- Two 32-bit capture channels per timer, that can take a snapshot of the timer value when an input signal transitions. A capture event can also generate an interrupt.
- Four 32-bit match registers that allow:
 - Continuous operation with optional interrupt generation on match.
 - Stop timer on match with optional interrupt generation.
 - Reset timer on match with optional interrupt generation.
- Up to four external outputs corresponding to match registers, with the following capabilities:
 - Set LOW on match.
 - Set HIGH on match.
 - Toggle on match.
 - Do nothing on match.
- Up to two match registers can be used to generate timed DMA requests.

7.17.2 Motor control PWM

The motor control PWM is a specialized PWM supporting 3-phase motors and other combinations. Feedback inputs are provided to automatically sense rotor position and use that information to ramp speed up or down. An abort input causes the PWM to release all motor drive outputs immediately. At the same time, the motor control PWM is highly configurable for other generalized timing, counting, capture, and compare applications.

7.17.3 Quadrature Encoder Interface (QEI)

A quadrature encoder, also known as a 2-channel incremental encoder, converts angular displacement into two pulse signals. By monitoring both the number of pulses and the relative phase of the two signals, the user code can track the position, direction of rotation, and velocity. In addition, a third channel, or index signal, can be used to reset the position counter. The quadrature encoder interface decodes the digital pulses from a quadrature encoder wheel to integrate position over time and determine direction of rotation. In addition, the QEI can capture the velocity of the encoder wheel.

7.17.3.1 Features

- Tracks encoder position.

- Increments/decrements depending on direction.
- Programmable for 2× or 4× position counting.
- Velocity capture using built-in timer.
- Velocity compare function with “less than” interrupt.
- Uses 32-bit registers for position and velocity.
- Three position-compare registers with interrupts.
- Index counter for revolution counting.
- Index compare register with interrupts.
- Can combine index and position interrupts to produce an interrupt for whole and partial revolution displacement.
- Digital filter with programmable delays for encoder input signals.
- Can accept decoded signal inputs (clk and direction).

7.17.4 Repetitive Interrupt (RI) timer

The repetitive interrupt timer provides a free-running 32-bit counter which is compared to a selectable value, generating an interrupt when a match occurs. Any bits of the timer compare function can be masked such that they do not contribute to the match detection. The repetitive interrupt timer can be used to create an interrupt that repeats at predetermined intervals.

7.17.4.1 Features

- 32-bit counter. Counter can be free-running or be reset by a generated interrupt.
- 32-bit compare value.
- 32-bit compare mask. An interrupt is generated when the counter value equals the compare value, after masking. This mechanism allows for combinations not possible with a simple compare.

7.17.5 Windowed WatchDog Timer (WWDG)

The purpose of the watchdog is to reset the controller if software fails to periodically service it within a programmable time window.

7.17.5.1 Features

- Internally resets chip if not periodically reloaded during the programmable time-out period.
- Optional windowed operation requires reload to occur between a minimum and maximum time period, both programmable.
- Optional warning interrupt can be generated at a programmable time prior to watchdog time-out.
- Enabled by software but requires a hardware reset or a watchdog reset/interrupt to be disabled.
- Incorrect feed sequence causes reset or interrupt if enabled.
- Flag to indicate watchdog reset.
- Programmable 24-bit timer with internal prescaler.

- Selectable time period from $(T_{cy(WDCLK)} \times 256 \times 4)$ to $(T_{cy(WDCLK)} \times 2^{24} \times 4)$ in multiples of $T_{cy(WDCLK)} \times 4$.
- The Watchdog Clock (WDCLK) uses the IRC as the clock source.

7.18 Analog peripherals

7.18.1 Analog-to-Digital Converter

Remark: The LPC185x/3x/2x/1x contain two 10-bit ADCs. All input channels are shared between ADC0 and ADC1.

7.18.1.1 Features

- 10-bit successive approximation analog to digital converter.
- Input multiplexing among 8 pins.
- Power-down mode.
- Measurement range 0 to VDDA.
- Sampling frequency up to 400 kSamples/s.
- Burst conversion mode for single or multiple inputs.
- Optional conversion on transition on ADCTRIG0 or ADCTRIG1 pins, combined timer outputs 8 or 15, or the PWM output MCOA2.
- Individual result registers for each A/D channel to reduce interrupt overhead.
- DMA support.

7.18.2 Digital-to-Analog Converter (DAC)

7.18.2.1 Features

- 10-bit resolution
- Monotonic by design (resistor string architecture)
- Controllable conversion speed
- Low power consumption

7.19 Peripherals in the RTC power domain

7.19.1 RTC

The Real-Time Clock (RTC) is a set of counters for measuring time when system power is on, and optionally when it is off. It uses little power when the CPU does not access its registers, especially in the reduced power modes. A separate 32 kHz oscillator clocks the RTC. The oscillator produces a 1 Hz internal time reference and is powered by its own power supply pin, VBAT.

7.19.1.1 Features

- Measures the passage of time to maintain a calendar and clock. Provides seconds, minutes, hours, day of month, month, year, day of week, and day of year.
- Ultra-low power design to support battery powered systems. Uses power from the CPU power supply when it is present.

- Dedicated battery power supply pin.
- RTC power supply is isolated from the rest of the chip.
- Calibration counter allows adjustment to better than ± 1 sec/day with 1 sec resolution.
- Periodic interrupts can be generated from increments of any field of the time registers.
- Alarm interrupt can be generated for a specific date/time.

7.19.2 Event monitor/recorder

The event monitor/recorder allows recording and creating a time stamp of events related to the WAKEUP pins. Sensors report changes to the state of the WAKEUP pins, and the event monitor/recorder stores records of such events. The event recorder can be powered by the backup battery.

The event monitor/recorder can monitor the integrity of the device and record any tampering events.

7.19.2.1 Features

- Supports three digital event inputs in the VBAT power domain.
- An event is defined as a level change at the digital event inputs.
- For each event channel, two timestamps mark the first and the last occurrence of an event. Each channel also has a dedicated counter tracking the total number of events. Timestamp values are taken from the RTC.
- Runs in VBAT power domain, independent of system power supply. The event/recorder/monitor can therefore operate in Deep power-down mode.
- Low power consumption.
- Interrupt available if system is running.
- A qualified event can be used as a wake-up trigger.
- State of event interrupts accessible by software through GPIO.

7.19.3 Alarm timer

The alarm timer is a 16-bit timer and counts down at 1 kHz from a preset value generating alarms in intervals of up to 1 min. The counter triggers a status bit when it reaches 0x00 and asserts an interrupt, if enabled.

The alarm timer is part of the RTC power domain and can be battery powered.

7.20 System control

7.20.1 Configuration registers (CREG)

The following settings are controlled in the configuration register block:

- BOD trip settings
- Oscillator output
- DMA-to-peripheral muxing
- Ethernet mode
- Memory mapping

- Timer/USART inputs
- Enabling the USB controllers

In addition, the CREG block contains the part identification and part configuration information.

7.20.2 System Control Unit (SCU)

The system control unit determines the function and electrical mode of the digital pins. By default function 0 is selected for all pins with pull-up enabled. For pins that support a digital and analog function, the ADC function select registers in the SCU enable the analog function.

A separate set of analog I/Os for the ADCs and the DAC as well as most USB pins are located on separate pads and are not controlled through the SCU.

In addition, the clock delay register for the SDRAM EMC_CLK pins and the registers that select the pin interrupts are located in the SCU.

7.20.3 Clock Generation Unit (CGU)

The Clock Generator Unit (CGU) generates several base clocks. The base clocks can be unrelated in frequency and phase and can have different clock sources within the CGU. One CGU base clock is routed to the CLKOUT pins. The base clock that generates the CPU clock is referred to as CCLK.

Multiple branch clocks are derived from each base clock. The branch clocks offer flexible control for power-management purposes. All branch clocks are outputs of one of two Clock Control Units (CCUs) and can be controlled independently. Branch clocks derived from the same base clock are synchronous in frequency and phase.

7.20.4 Internal RC oscillator (IRC)

The IRC is used as the clock source for the WWDT and/or as the clock that drives the PLLs and the CPU. The nominal IRC frequency is 12 MHz. The IRC is trimmed to 1 % accuracy for $T_{amb} = 0\text{ }^{\circ}\text{C}$ to $85\text{ }^{\circ}\text{C}$ and 2 % accuracy for $T_{amb} = -40\text{ }^{\circ}\text{C}$ to $0\text{ }^{\circ}\text{C}$ and $T_{amb} = 85\text{ }^{\circ}\text{C}$ to $105\text{ }^{\circ}\text{C}$.

Upon power-up or any chip reset, the LPC185x/3x/2x/1x use the IRC as the clock source. The boot loader then configures the PLL1 to provide a 96 MHz clock for the core and the PLL0USB or PLL0AUDIO as needed if an external boot source is selected.

7.20.5 PLL0USB (for USB0)

PLL0 is a dedicated PLL for the USB0 High-speed controller.

PLL0 accepts an input clock frequency from an external oscillator in the range of 14 kHz to 25 MHz. The input frequency is multiplied up to a high frequency with a Current Controlled Oscillator (CCO). The CCO operates in the range of 4.3 MHz to 550 MHz.

7.20.6 PLL0AUDIO (for audio)

The audio PLL PLL0AUDIO is a general-purpose PLL with a small step size. This PLL accepts an input clock frequency derived from an external oscillator or internal IRC. The input frequency is multiplied up to a high frequency with a Current Controlled Oscillator (CCO). A sigma-delta converter modulates the PLL divider ratios to obtain the desired

output frequency. The output frequency can be set as a multiple of the sampling frequency f_s to $32 \times f_s$, $64 \times f_s$, $128 \times f_s$, $256 \times f_s$, $384 \times f_s$, $512 \times f_s$ and the sampling frequency f_s can range from 16 kHz to 192 kHz (16, 22.05, 32, 44.1, 48, 96, 192) kHz. Many other frequencies are possible as well using the integrated fractional divider.

7.20.7 System PLL1

The PLL1 accepts an input clock frequency from an external oscillator in the range of 10 MHz to 25 MHz. The input frequency is multiplied up to a high frequency with a Current Controlled Oscillator (CCO). The multiplier can be an integer value from 1 to 32. The CCO operates in the range of 156 MHz to 320 MHz. This range is possible through an additional divider in the loop to keep the CCO within its frequency range while the PLL is providing the desired output frequency. The output divider can be set to divide by 2, 4, 8, or 16 to produce the output clock. Since the minimum output divider value is 2, it is insured that the PLL output has a 50 % duty cycle. The PLL is turned off and bypassed following a chip reset. After reset, software can enable the PLL. The program must configure and activate the PLL, wait for the PLL to lock, and then connect to the PLL as a clock source. The PLL settling time is 100 μ s.

7.20.8 Reset Generation Unit (RGU)

The RGU allows generation of independent reset signals for individual blocks and peripherals.

7.20.9 Power control

The LPC185x/3x/2x/1x feature several independent power domains to control power to the core and the peripherals (see [Figure 9](#)). The RTC and its associated peripherals (the alarm timer, the CREG block, the OTP controller, the back-up registers, and the event router) are located in the RTC power-domain. The main regulator or a battery supply can power the RTC. A power selector switch ensures that the RTC block is always powered on.

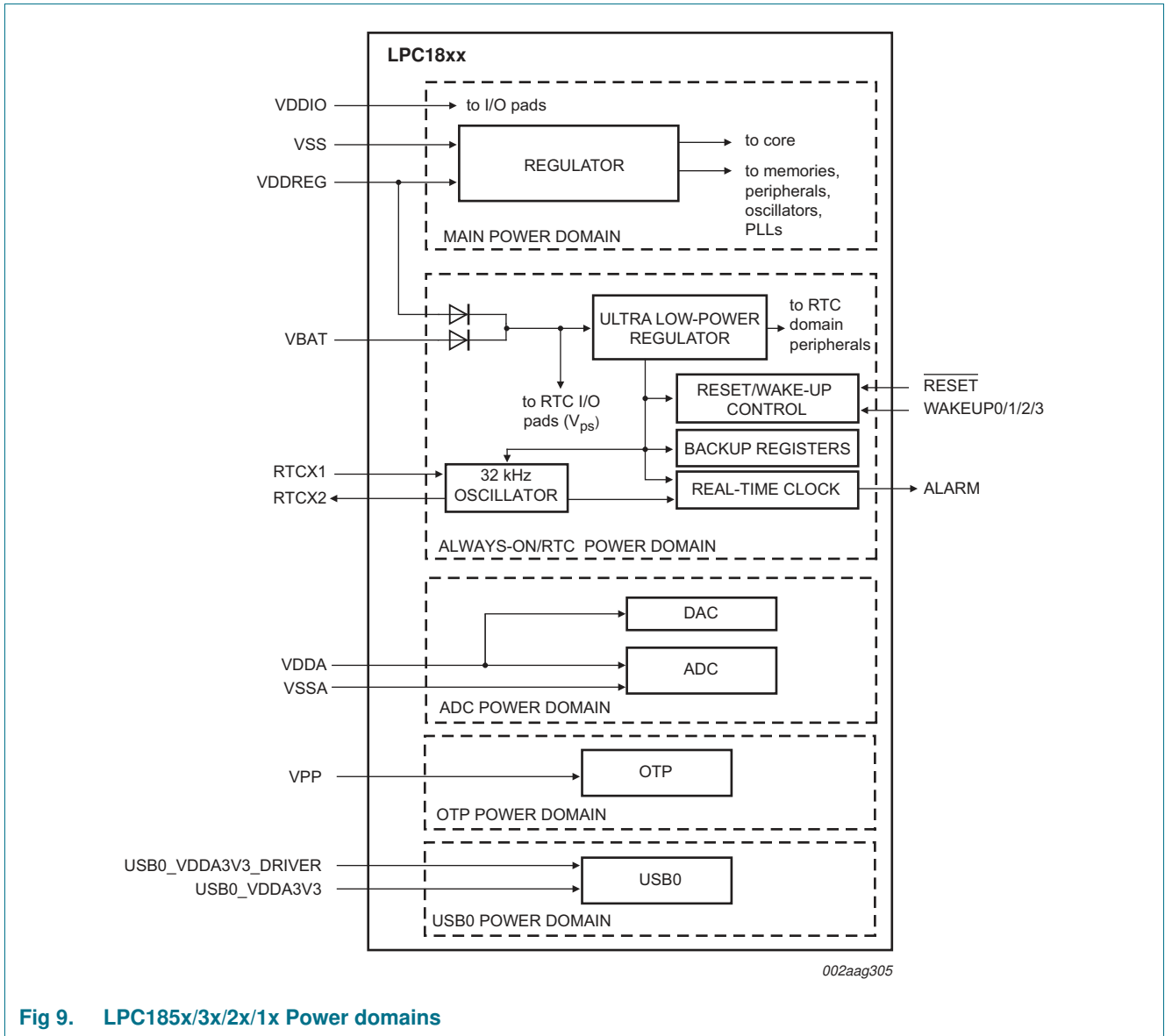


Fig 9. LPC185x/3x/2x/1x Power domains

The LPC185x/3x/2x/1x support four reduced power modes: Sleep, Deep-sleep, Power-down, and Deep power-down.

The LPC185x/3x/2x/1x can wake up from Deep-sleep, Power-down, and Deep power-down modes via the WAKEUP[3:0] pins and interrupts generated by battery powered blocks in the RTC power domain.

7.20.10 Code security (Code Read Protection - CRP)

CRP enables different levels of security so that access to the on-chip flash and use of the JTAG and ISP can be restricted. CRP is invoked by programming a specific pattern into a dedicated flash location. IAP commands are not affected by CRP.

There are three levels of the Code Read Protection:

- In level CRP1, access to the chip via the JTAG is disabled. Partial flash updates are allowed (excluding flash sector 0) using a limited set of the ISP commands. This level is useful when CRP is required and flash field updates are needed. CRP1 does prevent the user code from erasing all sectors.
- In level CRP2, access to the chip via the JTAG is disabled. Only a full flash erase and update using a reduced set of the ISP commands is allowed.
- In level CRP3, any access to the chip via the JTAG pins or the ISP is disabled. This mode also disables the ISP override using P2_7 pin. If necessary, the application code must provide a flash update mechanism using the IAP calls or using the reinvoke ISP command to enable flash update via USART0. See [Table 5](#).

CAUTION

If level three Code Read Protection (CRP3) is selected, no future factory testing can be performed on the device.

7.21 Emulation and debugging

Debug and trace functions are integrated into the ARM Cortex-M3. Serial wire debug and trace functions are supported in addition to a standard JTAG debug and parallel trace functions. The ARM Cortex-M3 is configured to support up to eight breakpoints and four watch points.

8. Limiting values

Table 7. Limiting values

In accordance with the Absolute Maximum Rating System (IEC 60134).^[1]

Symbol	Parameter	Conditions	Min	Max	Unit
V _{DD(REG)(3V3)}	regulator supply voltage (3.3 V)	on pin VDDREG	-0.5	3.6	V
V _{DD(IO)}	input/output supply voltage	on pin VDDIO	-0.5	3.6	V
V _{DDA(3V3)}	analog supply voltage (3.3 V)	on pin VDDA	-0.5	3.6	V
V _{BAT}	battery supply voltage	on pin VBAT	-0.5	3.6	V
V _{prog(pf)}	polyfuse programming voltage	on pin VPP	-0.5	3.6	V
V _I	input voltage	when V _{DD(IO)} ≥ 2.2 V	^[2] -0.5	5.5	V
		5 V tolerant digital I/O pins			
		ADC/DAC pins and digital I/O pins configured for an analog function	-0.5	V _{DDA(3V3)}	V
		USB0 pins USB0_DP; USB0_DM; USB0_VBUS	-0.3	5.2	V
		USB0 pins USB0_ID; USB0_RREF	-0.3	3.6	V
		USB1 pins USB1_DP and USB1_DM	-0.3	5.2	V
I _{DD}	supply current	per supply pin	^[3] -	100	mA
I _{SS}	ground current	per ground pin	^[3] -	100	mA
I _{latch}	I/O latch-up current	-(0.5V _{DD(IO)}) < V _I < (1.5V _{DD(IO)}); T _j < 125 °C	-	100	mA
T _{stg}	storage temperature		^[4] -65	+150	°C
P _{tot(pack)}	total power dissipation (per package)	based on package heat transfer, not device power consumption	-	1.5	W
V _{ESD}	electrostatic discharge voltage	human body model; all pins	^[5] -	2000	V

[1] The following applies to the limiting values:

- a) This product includes circuitry designed for the protection of its internal devices from the damaging effects of excessive static charge. Nonetheless, it is suggested that conventional precautions be taken to avoid applying greater than the rated maximum.
- b) Parameters are valid over operating temperature range unless otherwise specified. All voltages are with respect to V_{SS} unless otherwise noted.

[2] Including voltage on outputs in 3-state mode.

[3] The peak current is limited to 25 times the corresponding maximum current.

[4] Dependent on package type.

[5] Human body model: equivalent to discharging a 100 pF capacitor through a 1.5 kΩ series resistor.

9. Thermal characteristics

The average chip junction temperature, T_j (°C), can be calculated using the following equation:

$$T_j = T_{amb} + (P_D \times R_{th(j-a)}) \tag{1}$$

- T_{amb} = ambient temperature (°C),
- $R_{th(j-a)}$ = the package junction-to-ambient thermal resistance (°C/W)
- P_D = sum of internal and I/O power dissipation

The internal power dissipation is the product of $I_{DD(REG)(3V3)}$ and $V_{DD(REG)(3V3)}$. The I/O power dissipation of the I/O pins is often small and many times can be negligible. However it can be significant in some applications.

Table 8. Thermal characteristics

Symbol	Parameter	Min	Typ	Max	Unit
$T_{j(max)}$	maximum junction temperature	-	-	125	°C

Table 9. Thermal resistance (LQFP packages)

Symbol	Parameter	Conditions	Thermal resistance in °C/W ±15 %	
			LQFP144	LQFP208
$R_{th(j-a)}$	thermal resistance from junction to ambient	JEDEC (4.5 in × 4 in); still air	38	31
		Single-layer (4.5 in × 3 in); still air	50	39
$R_{th(j-c)}$	thermal resistance from junction to case		11	10

Table 10. Thermal resistance value (BGA packages)

Symbol	Parameter	Conditions	Thermal resistance in °C/W ±15 %	
			LBGA256	TFBGA100
$R_{th(j-a)}$	thermal resistance from junction to ambient	JEDEC (4.5 in × 4 in); still air	29	46
		8-layer (4.5 in × 3 in); still air	24	37
$R_{th(j-c)}$	thermal resistance from junction to case		14	11

10. Static characteristics

Table 11. Static characteristics

$T_{amb} = -40\text{ }^{\circ}\text{C}$ to $+85\text{ }^{\circ}\text{C}$, unless otherwise specified.

Symbol	Parameter	Conditions	Min	Typ ^[1]	Max	Unit
Supply pins						
$V_{DD(IO)}$	input/output supply voltage		2.2	-	3.6	V
$V_{DD(REG)(3V3)}$	regulator supply voltage (3.3 V)		[2] 2.2	-	3.6	V
$V_{DDA(3V3)}$	analog supply voltage (3.3 V)	on pin VDDA	2.2	-	3.6	V
V_{BAT}	battery supply voltage		[2] 2.2	-	3.6	V
$V_{prog(pf)}$	polyfuse programming voltage	on pin VPP (for OTP)	[3] 2.7	-	3.6	V
$I_{prog(pf)}$	polyfuse programming current	on pin VPP; OTP programming time \leq 1.6 ms	-	-	30	mA
$I_{DD(REG)(3V3)}$	regulator supply current (3.3 V)	Active mode; code <code>while(1){}</code> executed from RAM; all peripherals disabled; PLL1 enabled				
		CCLK = 12 MHz	[4] -	9.3	-	mA
		CCLK = 60 MHz	[4] -	26	-	mA
		CCLK = 120 MHz	[4] -	46	-	mA
		CCLK = 180 MHz	[4] -	66	-	mA
$I_{DD(REG)(3V3)}$	regulator supply current (3.3 V)	after WFE/WFI instruction executed from RAM; all peripherals disabled				
		sleep mode	[4][5] -	6.2	-	mA
		deep-sleep mode	[4] -	145	-	μ A
		power-down mode	[4] -	23	-	μ A
		deep power-down mode	[4][6] -	0.05	-	μ A
		deep power-down mode; VBAT floating	[4] -	3.0	-	μ A
I_{BAT}	battery supply current	$V_{BAT} = 3.0\text{ V}$; $V_{DD(REG)(3V3)} = 3.3\text{ V}$	[7] -	-	0.1	μ A
I_{BAT}	battery supply current	Deep power-down mode; RTC running; $V_{DD(REG)(3V3)}$ floating; $V_{BAT} = 3.3\text{ V}$	-	3.0	-	μ A
		$V_{DD(REG)(3V3)} = V_{BAT} = 3.3\text{ V}$	-	1.5	-	μ A
$I_{DD(IO)}$	I/O supply current	deep sleep mode	-	<tbd>	-	μ A
		power-down mode	-	<tbd>	-	μ A
		deep power-down mode	-	<tbd>	-	μ A

Table 11. Static characteristics ...continued
T_{amb} = -40 °C to +85 °C, unless otherwise specified.

Symbol	Parameter	Conditions	Min	Typ ^[1]	Max	Unit
I _{DD(ADC)}	ADC supply current	deep sleep mode	[9] -	0.4	-	μA
		power-down mode	[9] -	0.4	-	μA
		deep power-down mode	[9] -	0.007	-	μA
RESET pin						
V _{IH}	HIGH-level input voltage		[8] $0.8 \times (V_{ps} - 0.35)$	-	5.5	V
V _{IL}	LOW-level input voltage		[8] 0	-	$0.3 \times (V_{ps} - 0.1)$	V
V _{hys}	hysteresis voltage		[8] $0.05 \times (V_{ps} - 0.35)$	-	-	V
Standard I/O pins - normal drive strength						
C _I	input capacitance		-	-	2	pF
I _{LL}	LOW-level leakage current	V _I = 0 V; on-chip pull-up resistor disabled	-	3	-	nA
I _{LH}	HIGH-level leakage current	V _I = V _{DD(IO)} ; on-chip pull-down resistor disabled	-	3	-	nA
		V _I = 5 V; T _{amb} = 25 °C	-	0.5	-	nA
		V _I = 5 V; T _{amb} = 105 °C	-	40	-	nA
I _{OZ}	OFF-state output current	V _O = 0 V to V _{DD(IO)} ; on-chip pull-up/down resistors disabled; absolute value	-	3	-	nA
V _I	input voltage	pin configured to provide a digital function; V _{DD(IO)} ≥ 2.2 V	0	-	5.5	V
		V _{DD(IO)} = 0 V	0	-	3.6	V
V _O	output voltage	output active	0	-	V _{DD(IO)}	V
V _{IH}	HIGH-level input voltage		$0.7 \times V_{DD(IO)}$	-	5.5	V
V _{IL}	LOW-level input voltage		0	-	$0.3 \times V_{DD(IO)}$	V
V _{hys}	hysteresis voltage		$0.1 \times V_{DD(IO)}$	-	-	V
V _{OH}	HIGH-level output voltage	I _{OH} = -6 mA	$V_{DD(IO)} - 0.4$	-	-	V
V _{OL}	LOW-level output voltage	I _{OL} = 6 mA	-	-	0.4	V
I _{OH}	HIGH-level output current	V _{OH} = V _{DD(IO)} - 0.4 V	-6	-	-	mA
I _{OL}	LOW-level output current	V _{OL} = 0.4 V	6	-	-	mA
I _{OHS}	HIGH-level short-circuit output current	drive HIGH; connected to ground	[10] -	-	87	mA

Table 11. Static characteristics ...continued
T_{amb} = -40 °C to +85 °C, unless otherwise specified.

Symbol	Parameter	Conditions	Min	Typ ^[1]	Max	Unit
I _{OLS}	LOW-level short-circuit output current	drive LOW; connected to V _{DD(IO)}	[10] -	-	77	mA
I _{pd}	pull-down current	V _I = 5 V	[12] - [13] [14]	93	-	μA
I _{pu}	pull-up current	V _I = 0 V	[12] - [13] [14]	-62	-	μA
		V _{DD(IO)} < V _I ≤ 5 V	-	10	-	μA
R _s	series resistance	on I/O pins with analog function; analog function enabled		200		Ω
I/O pins - high drive strength						
C _I	input capacitance		-	-	2	pF
I _{LL}	LOW-level leakage current	V _I = 0 V; on-chip pull-up resistor disabled	-	3	-	nA
I _{oZ}	OFF-state output current	V _O = 0 V to V _{DD(IO)} ; on-chip pull-up/down resistors disabled; absolute value	-	3	-	nA
V _I	input voltage	pin configured to provide a digital function;				
		V _{DD(IO)} ≥ 2.2 V	0	-	5.5	V
		V _{DD(IO)} = 0 V	0	-	3.6	V
V _O	output voltage	output active	0	-	V _{DD(IO)}	V
V _{IH}	HIGH-level input voltage		0.7 × V _{DD(IO)}	-	5.5	V
V _{IL}	LOW-level input voltage		0	-	0.3 × V _{DD(IO)}	V
V _{hys}	hysteresis voltage		0.1 × V _{DD(IO)}	-	-	V
I _{pd}	pull-down current	V _I = V _{DD(IO)}	[12] - [13] [14]	62	-	μA
I _{pu}	pull-up current	V _I = 0 V	[12] - [13] [14]	-62	-	μA
		V _{DD(IO)} < V _I ≤ 5 V	-	10	-	μA

Table 11. Static characteristics ...continued
T_{amb} = -40 °C to +85 °C, unless otherwise specified.

Symbol	Parameter	Conditions	Min	Typ ^[1]	Max	Unit
I/O pins - high drive strength: standard drive mode						
I _{LH}	HIGH-level leakage current	V _I = V _{DD(I/O)} ; on-chip pull-down resistor disabled	-	3	-	nA
		V _I = 5 V; T _{amb} = 25 °C	-	0.6	-	nA
		V _I = 5 V; T _{amb} = 105 °C	-	65	-	nA
I _{OH}	HIGH-level output current	V _{OH} = V _{DD(I/O)} - 0.4 V	-4	-	-	mA
I _{OL}	LOW-level output current	V _{OL} = 0.4 V	4	-	-	mA
I _{OHS}	HIGH-level short-circuit output current	drive HIGH; connected to ground	[10] -	-	32	mA
I _{OLS}	LOW-level short-circuit output current	drive LOW; connected to V _{DD(I/O)}	[10] -	-	32	mA
I/O pins - high drive strength: medium drive mode						
I _{LH}	HIGH-level leakage current	V _I = V _{DD(I/O)} ; on-chip pull-down resistor disabled	-	3	-	nA
		V _I = 5 V; T _{amb} = 25 °C	-	0.7	-	nA
		V _I = 5 V; T _{amb} = 105 °C	-	70	-	nA
I _{OH}	HIGH-level output current	V _{OH} = V _{DD(I/O)} - 0.4 V	-8	-	-	mA
I _{OL}	LOW-level output current	V _{OL} = 0.4 V	8	-	-	mA
I _{OHS}	HIGH-level short-circuit output current	drive HIGH; connected to ground	[10] -	-	65	mA
I _{OLS}	LOW-level short-circuit output current	drive LOW; connected to V _{DD(I/O)}	[10] -	-	63	mA
I/O pins - high drive strength: high drive mode						
I _{LH}	HIGH-level leakage current	V _I = V _{DD(I/O)} ; on-chip pull-down resistor disabled	-	3	-	nA
		V _I = 5 V; T _{amb} = 25 °C	-	0.6	-	nA
		V _I = 5 V; T _{amb} = 105 °C	-	63	-	nA
I _{OH}	HIGH-level output current	V _{OH} = V _{DD(I/O)} - 0.4 V	-14	-	-	mA
I _{OL}	LOW-level output current	V _{OL} = 0.4 V	14	-	-	mA
I _{OHS}	HIGH-level short-circuit output current	drive HIGH; connected to ground	[10] -	-	113	mA
I _{OLS}	LOW-level short-circuit output current	drive LOW; connected to V _{DD(I/O)}	[10] -	-	110	mA

Table 11. Static characteristics ...continued
T_{amb} = -40 °C to +85 °C, unless otherwise specified.

Symbol	Parameter	Conditions	Min	Typ ^[1]	Max	Unit
I/O pins - high drive strength: ultra-high drive mode						
I _{LH}	HIGH-level leakage current	V _I = V _{DD(IO)} ; on-chip pull-down resistor disabled	-	3	-	nA
		V _I = 5 V; T _{amb} = 25 °C	-	0.6	-	nA
		V _I = 5 V; T _{amb} = 105 °C	-	63	-	nA
I _{OH}	HIGH-level output current	V _{OH} = V _{DD(IO)} - 0.4 V	-20	-	-	mA
I _{OL}	LOW-level output current	V _{OL} = 0.4 V	20	-	-	mA
I _{OHS}	HIGH-level short-circuit output current	drive HIGH; connected to ground	[10] -	-	165	mA
I _{OLS}	LOW-level short-circuit output current	drive LOW; connected to V _{DD(IO)}	[10] -	-	156	mA
I/O pins - high-speed						
C _I	input capacitance		-	-	2	pF
I _{LL}	LOW-level leakage current	V _I = 0 V; on-chip pull-up resistor disabled	-	3	-	nA
I _{LH}	HIGH-level leakage current	V _I = V _{DD(IO)} ; on-chip pull-down resistor disabled	-	3	-	nA
		V _I = 5 V; T _{amb} = 25 °C	-	0.5	-	nA
		V _I = 5 V; T _{amb} = 105 °C	-	40	-	nA
I _{OZ}	OFF-state output current	V _O = 0 V to V _{DD(IO)} ; on-chip pull-up/down resistors disabled; absolute value	-	3	-	nA
V _I	input voltage	pin configured to provide a digital function;				
		V _{DD(IO)} ≥ 2.2 V	0	-	5.5	V
		V _{DD(IO)} = 0 V	0	-	3.6	V
V _O	output voltage	output active	0	-	V _{DD(IO)}	V
V _{IH}	HIGH-level input voltage		0.7 × V _{DD(IO)}	-	5.5	V
V _{IL}	LOW-level input voltage		0	-	0.3 × V _{DD(IO)}	V
V _{hys}	hysteresis voltage		0.1 × V _{DD(IO)}	-	-	V
V _{OH}	HIGH-level output voltage	I _{OH} = -8 mA	V _{DD(IO)} - 0.4	-	-	V
V _{OL}	LOW-level output voltage	I _{OL} = 8 mA	-	-	0.4	V
I _{OH}	HIGH-level output current	V _{OH} = V _{DD(IO)} - 0.4 V	-8	-	-	mA

Table 11. Static characteristics ...continued
T_{amb} = -40 °C to +85 °C, unless otherwise specified.

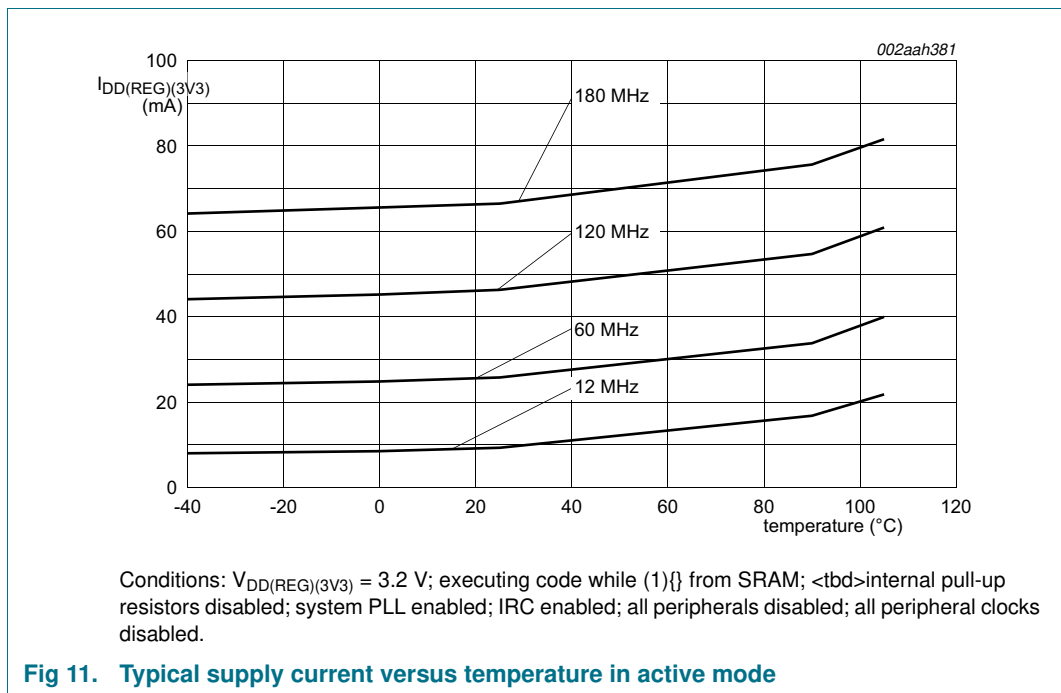
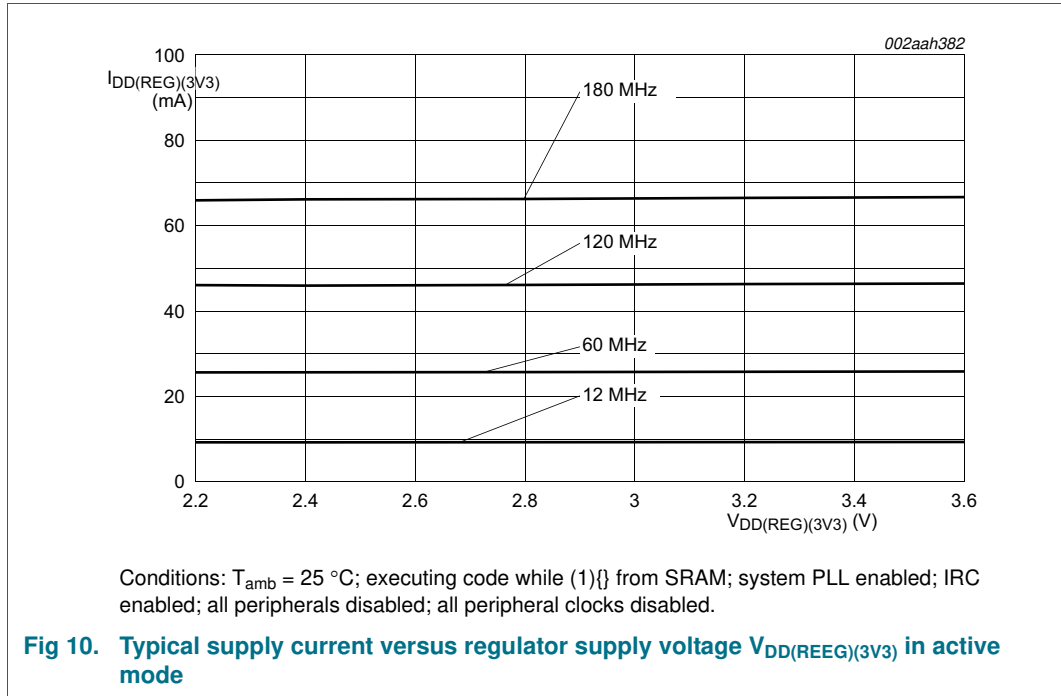
Symbol	Parameter	Conditions	Min	Typ ^[1]	Max	Unit
I _{OL}	LOW-level output current	V _{OL} = 0.4 V	8	-	-	mA
I _{OHS}	HIGH-level short-circuit output current	drive HIGH; connected to ground	[10] -	-	86	mA
I _{OLS}	LOW-level short-circuit output current	drive LOW; connected to V _{DD(IO)}	[10] -	-	76	mA
I _{pd}	pull-down current	V _I = V _{DD(IO)}	[12] - [13] [14]	62	-	μA
I _{pu}	pull-up current	V _I = 0 V	[12] - [13] [14]	-62	-	μA
		V _{DD(IO)} < V _I ≤ 5 V	-	0	-	μA
Open-drain I²C0-bus pins						
V _{IH}	HIGH-level input voltage		0.7 × V _{DD(IO)}	-	-	V
V _{IL}	LOW-level input voltage		0	0.14	0.3 × V _{DD(IO)}	V
V _{hys}	hysteresis voltage		0.1 × V _{DD(IO)}	-	-	V
V _{OL}	LOW-level output voltage	I _{OLS} = 3 mA	-	-	0.4	V
I _{LI}	input leakage current	V _I = V _{DD(IO)}	[11] -	4.5	-	μA
		V _I = 5 V	-	-	10	μA
Oscillator pins						
V _{i(XTAL1)}	input voltage on pin XTAL1		-0.5	-	1.2	V
V _{o(XTAL2)}	output voltage on pin XTAL2		-0.5	-	1.2	V
C _{io}	input/output capacitance		[15] -	-	0.8	pF
USB0 pins^[16]						
V _I	input voltage	on pins USB0_DP; USB0_DM; USB0_VBUS				
		V _{DD(IO)} ≥ 2.2 V	0	-	5.5	V
		V _{DD(IO)} = 0 V	0	-	3.6	V
R _{pd}	pull-down resistance	on pin USB0_VBUS	48	64	80	kΩ
V _{IC}	common-mode input voltage	high-speed mode	-50	200	500	mV
		full-speed/low-speed mode	800	-	2500	mV
		chirp mode	-50	-	600	mV
V _{i(dif)}	differential input voltage		100	400	1100	mV
USB1 pins (USB1_DP/USB1_DM)^[16]						
I _{OZ}	OFF-state output current	0 V < V _I < 3.3 V	[16] -	-	±10	μA

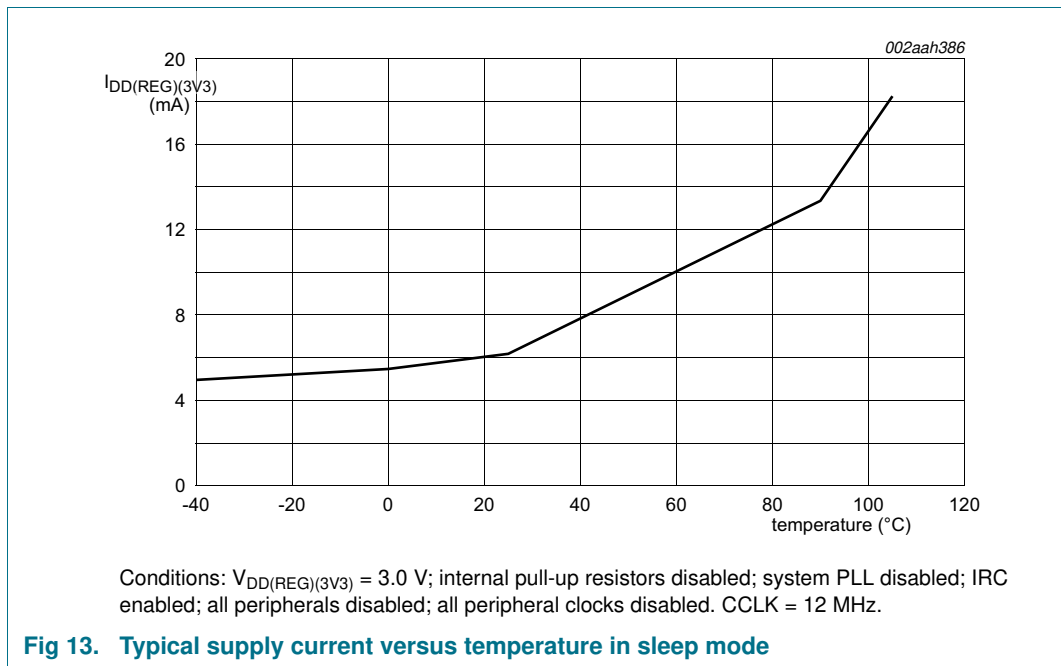
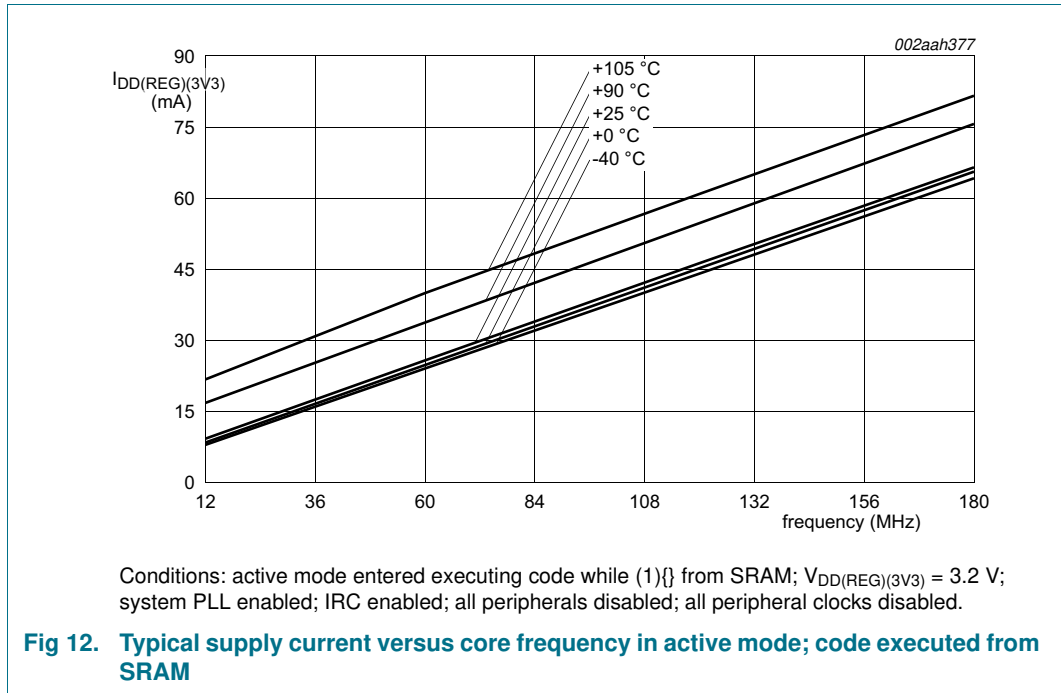
Table 11. Static characteristics ...continued
T_{amb} = -40 °C to +85 °C, unless otherwise specified.

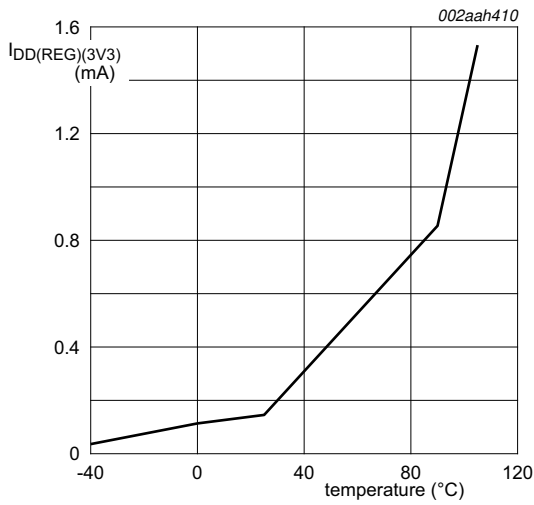
Symbol	Parameter	Conditions	Min	Typ ^[1]	Max	Unit
V _{BUS}	bus supply voltage		[17] -	-	5.25	V
V _{DI}	differential input sensitivity voltage	(D+) - (D-)	0.2	-	-	V
V _{CM}	differential common mode voltage range	includes V _{DI} range	0.8	-	2.5	V
V _{th(rs)se}	single-ended receiver switching threshold voltage		0.8	-	2.0	V
V _{OL}	LOW-level output voltage for low-/full-speed	R _L of 1.5 kΩ to 3.6 V	-	-	0.18	V
V _{OH}	HIGH-level output voltage (driven) for low-/full-speed	R _L of 15 kΩ to GND	2.8	-	3.5	V
C _{trans}	transceiver capacitance	pin to GND	-	-	20	pF
Z _{DRV}	driver output impedance for driver which is not high-speed capable	with 33 Ω series resistor; steady state drive	[18] 36	-	44.1	Ω

- [1] Typical ratings are not guaranteed. The values listed are at room temperature (25 °C), nominal supply voltages.
- [2] The recommended operating condition for the battery supply is V_{DD(REG)(3V3)} > V_{BAT} + 0.2 V. Dynamic characteristics for peripherals are provided for V_{DD(REG)(3V3)} ≥ 2.7 V.
- [3] Pin VPP should either be not connected (when OTP does not need to be programmed) or tied to pins VDDIO and VDDREG to ensure the same ramp-up time for both supply voltages.
- [4] V_{DD(REG)(3V3)} = 3.3 V; V_{DD(IO)} = 3.3 V; T_{amb} = 25 °C.
- [5] PLL1 disabled; IRC running; CCLK = 12 MHz.
- [6] V_{BAT} = 3.6 V.
- [7] T_{amb} = -40 °C to +105 °C; V_{DD(IO)} = V_{DDA} = 3.6 V; over entire frequency range CCLK = 12 MHz to 180 MHz; in active mode, sleep mode; deep-sleep mode, power-down mode, and deep power-down mode.
- [8] V_{ps} corresponds to the output of the power switch (see [Figure 9](#)) which is determined by the greater of V_{BAT} and V_{DD(Reg)(3V3)}.
- [9] V_{DDA(3V3)} = 3.3 V; T_{amb} = 25 °C.
- [10] Allowed as long as the current limit does not exceed the maximum current allowed by the device.
- [11] To V_{SS}.
- [12] The values specified are simulated and absolute values.
- [13] The weak pull-up resistor is connected to the V_{DD(IO)} rail and pulls up the I/O pin to the V_{DD(IO)} level.
- [14] The input cell disables the weak pull-up resistor when the applied input voltage exceeds V_{DD(IO)}.
- [15] The parameter value specified is a simulated value excluding bond capacitance.
- [16] For USB operation 3.0 V ≤ V_{DD(IO)} ≤ 3.6 V. Guaranteed by design.
- [17] V_{DD(IO)} present.
- [18] Includes external resistors of 33 Ω ± 1 % on D+ and D-.

10.1 Power consumption

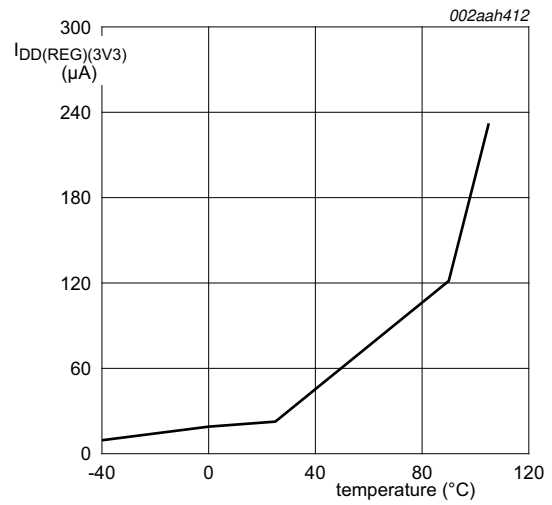






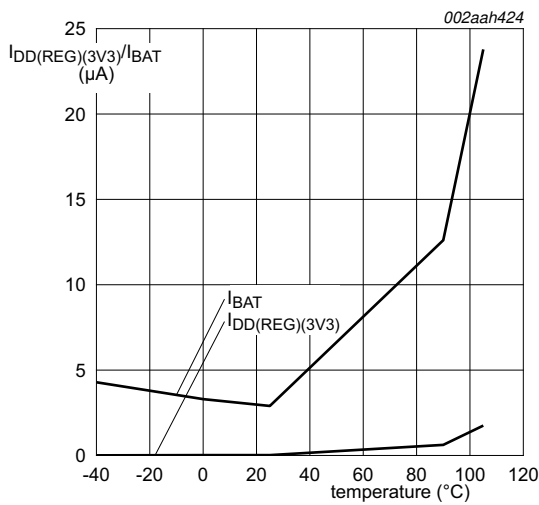
Conditions: $V_{DD(REG)(3V3)} = V_{DD(IO)} = 3.3$ V.

Fig 14. Typical supply current versus temperature in Deep-sleep mode



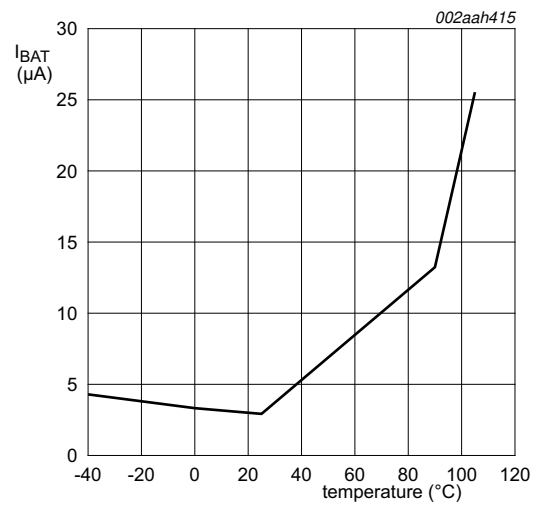
Conditions: $V_{DD(REG)(3V3)} = V_{DD(IO)} = 3.3$ V.

Fig 15. Typical supply current versus temperature in Power-down mode



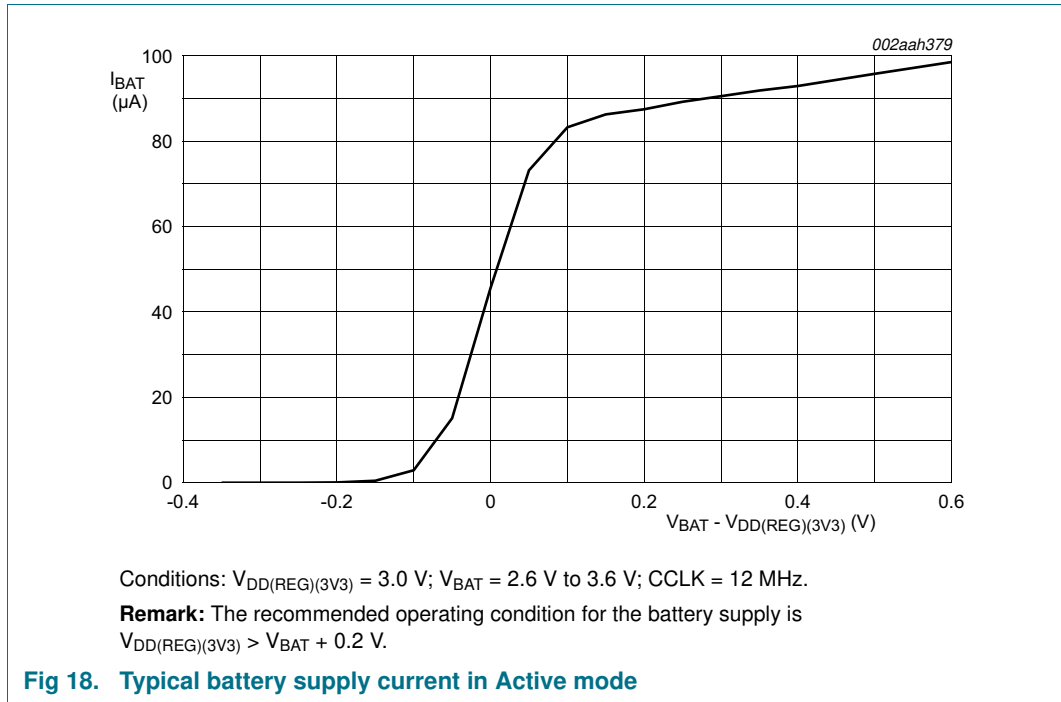
Conditions: $V_{DD(REG)(3V3)} = V_{DD(IO)} = 3.3$ V. $V_{BAT} = V_{DD(REG)(3V3)} + 0.4$ V.

Fig 16. Typical supply current versus temperature in Deep power-down mode



Conditions: $V_{BAT} = 3.6$ V. $V_{DD(REG)(3V3)}$ not present.

Fig 17. Typical battery supply current versus temperature



10.2 Peripheral power consumption

The typical power consumption at $T = 25\text{ °C}$ for each individual peripheral is measured as follows:

1. Enable all branch clocks and measure the current $I_{DD(REG)(3V3)}$.
2. Disable the branch clock to the peripheral to be measured and keep all other branch clocks enabled.
3. Calculate the difference between measurement 1 and 2. The result is the peripheral power consumption.

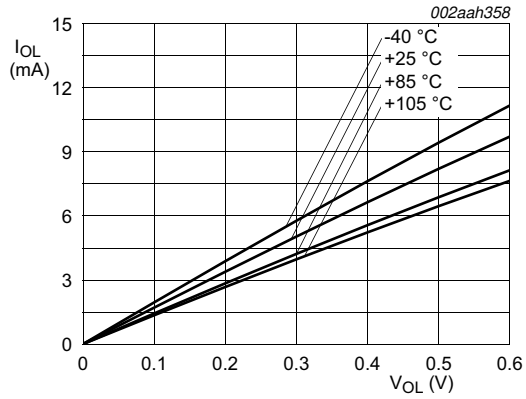
Table 12. Peripheral power consumption

Peripheral	Branch clock	$I_{DD(REG)(3V3)}$ in mA	
		Branch clock frequency = 48 MHz	Branch clock frequency = 96 MHz
I2C1	CLK_APB3_I2C1	0.01	0.01
I2C0	CLK_APB1_I2C0	< 0.01	0.02
DAC	CLK_APB3_DAC	0.01	0.02
ADC0	CLK_APB3_ADC0	0.07	0.07
ADC1	CLK_APB3_ADC1	0.07	0.07
CAN0	CLK_APB3_CAN0	0.17	0.17
CAN1	CLK_APB1_CAN1	0.16	0.15
MOTOCON	CLK_APB1_MOTOCON	0.04	0.04
I2S	CLK_APB1_I2S	0.09	0.08
SPIFI	CLK_SPIFI, CLK_M3_SPIFI	1.14	2.29
GPIO	CLK_M3_GPIO	0.72	1.43

Table 12. Peripheral power consumption

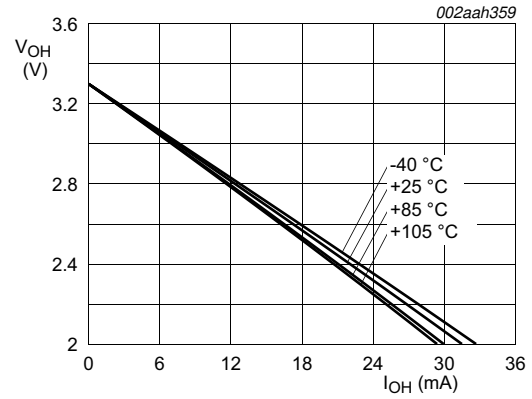
Peripheral	Branch clock	I _{DD(REG)(3V3)} in mA	
		Branch clock frequency = 48 MHz	Branch clock frequency = 96 MHz
LCD	CLK_M3_LCD	0.91	1.82
ETHERNET	CLK_M3_ETHERNET	1.06	2.15
UART0	CLK_M3_UART0, CLK_APB0_UART0	0.24	0.43
UART1	CLK_M3_UART1, CLK_APB0_UART1	0.24	0.43
UART2	CLK_M3_UART2, CLK_APB2_UART2	0.26	0.5
UART3	CLK_M3_USART3, CLK_APB2_UART3	0.27	0.45
TIMER0	CLK_M3_TIMER0	0.08	0.15
TIMER1	CLK_M3_TIMER1	0.09	0.15
TIMER2	CLK_M3_TIMER2	0.1	0.19
TIMER3	CLK_M3_TIMER3	0.08	0.16
SDIO	CLK_M3_SDIO, CLK_SDIO	0.66	1.17
SCT	CLK_M3_SCT	0.66	1.3
SSP0	CLK_M3_SSP0, CLK_APB0_SSP0	0.13	0.23
SSP1	CLK_M3_SSP1, CLK_APB2_SSP1	0.14	0.27
DMA	CLK_M3_DMA	1.81	3.61
WWDT	CLK_M3_WWDT	0.03	0.09
QEI	CLK_M3_QEI	0.28	0.55
USB0	CLK_M3_USB0, CLK_USB0	1.9	3.9
USB1	CLK_M3_USB1, CLK_USB1	3.02	5.69
RITIMER	CLK_M3_RITIMER	0.05	0.1
EMC	CLK_M3_EMCC, CLK_M3_EMCC_DIV	3.94	7.95
SCU	CLK_M3_SCU	0.1	0.21
CREG	CLK_M3_CREG	0.35	0.7
Flash bank A	CLK_M3_FLASHA	1.47	2.97
Flash bank B	CLK_M3_FLASHB	1.4	2.84

10.3 Electrical pin characteristics



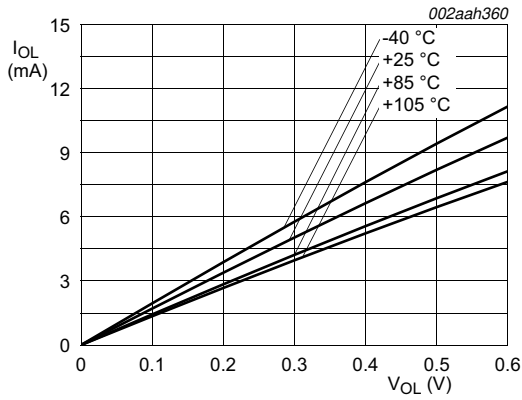
Conditions: $V_{DD(REG)(3V3)} = V_{DD(IO)} = 3.3\text{ V}$.

Fig 19. Standard I/O pins; typical LOW level output current I_{OL} versus LOW level output voltage V_{OL}

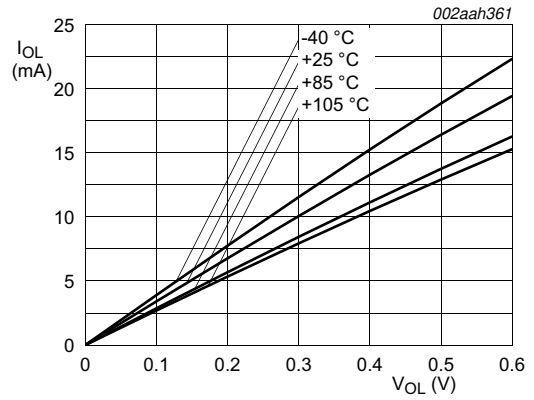


Conditions: $V_{DD(REG)(3V3)} = V_{DD(IO)} = 3.3\text{ V}$.

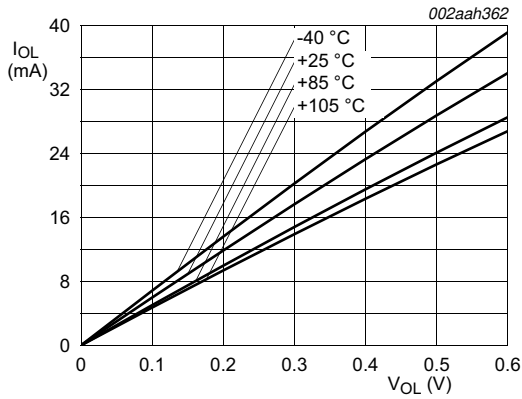
Fig 20. Standard I/O pins; typical HIGH level output voltage V_{OH} versus HIGH level output current I_{OH}



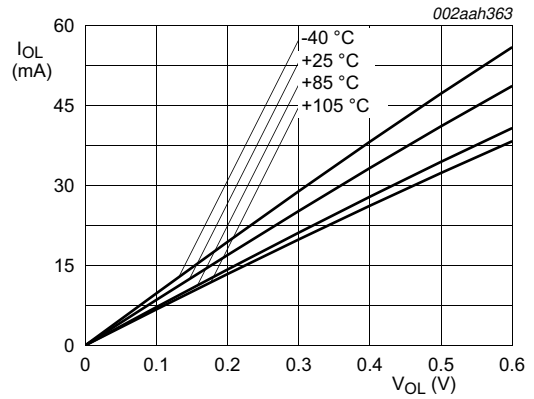
Conditions: $V_{DD(REG)(3V3)} = V_{DD(IO)} = 3.3$ V; normal-drive; EHD = 0x0.



Conditions: $V_{DD(REG)(3V3)} = V_{DD(IO)} = 3.3$ V; medium-drive; EHD = 0x1.

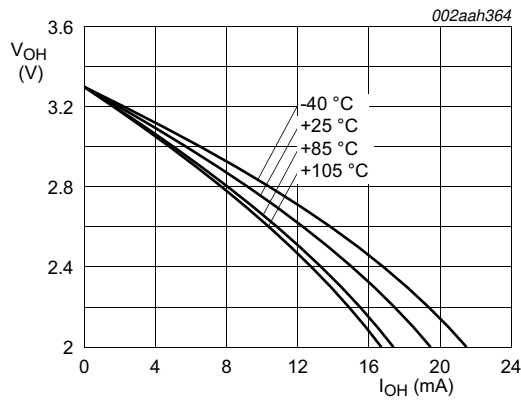


Conditions: $V_{DD(REG)(3V3)} = V_{DD(IO)} = 3.3$ V; high-drive; EHD = 0x2.

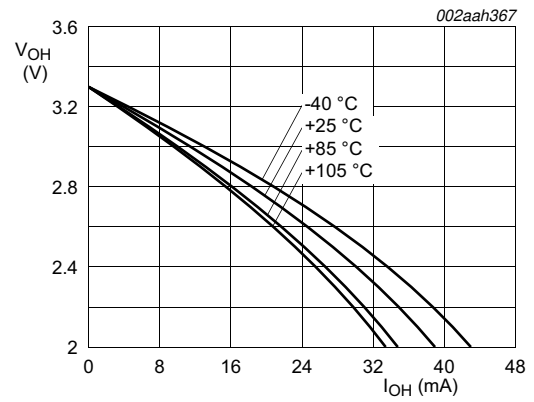


Conditions: $V_{DD(REG)(3V3)} = V_{DD(IO)} = 3.3$ V; ultra high-drive; EHD = 0x3.

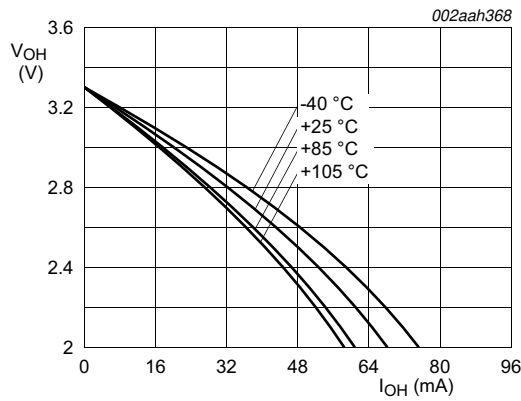
Fig 21. High-drive pins; typical LOW level output current I_{OL} versus LOW level output voltage V_{OL}



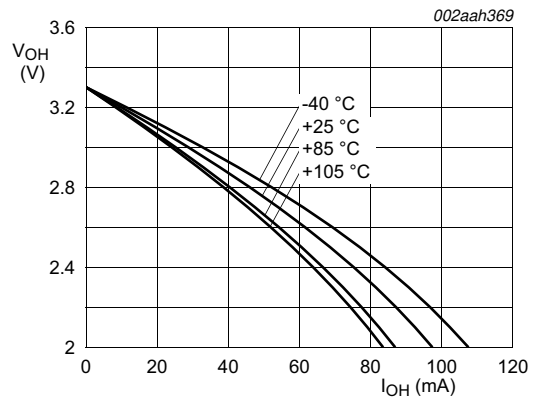
Conditions: $V_{DD(REG)(3V3)} = V_{DD(IO)} = 3.3$ V; normal-drive; EHD = 0x0.



Conditions: $V_{DD(REG)(3V3)} = V_{DD(IO)} = 3.3$ V; medium-drive; EHD = 0x1.

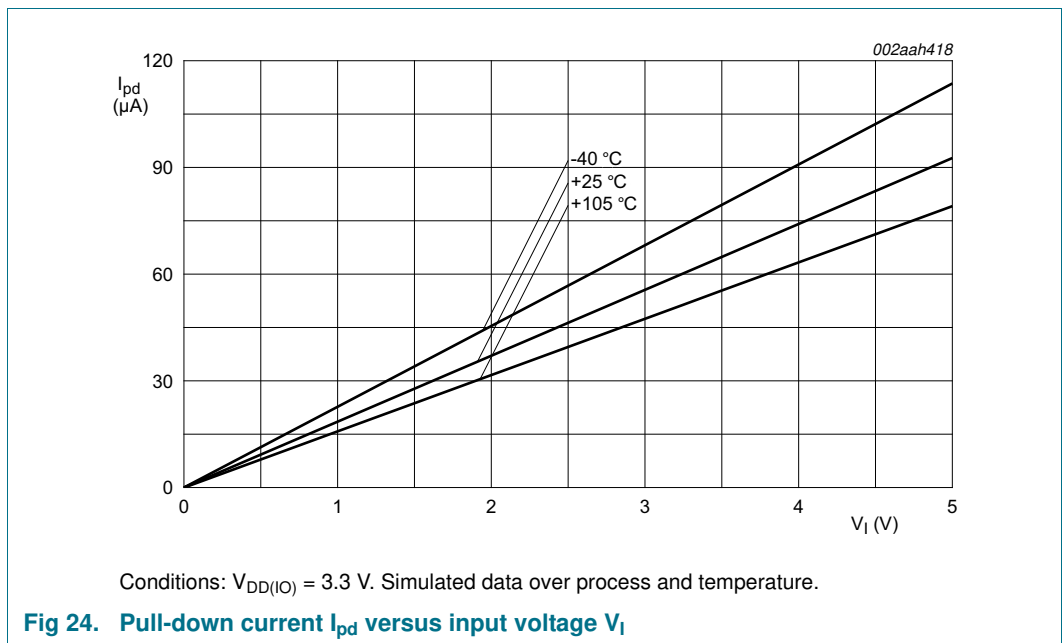
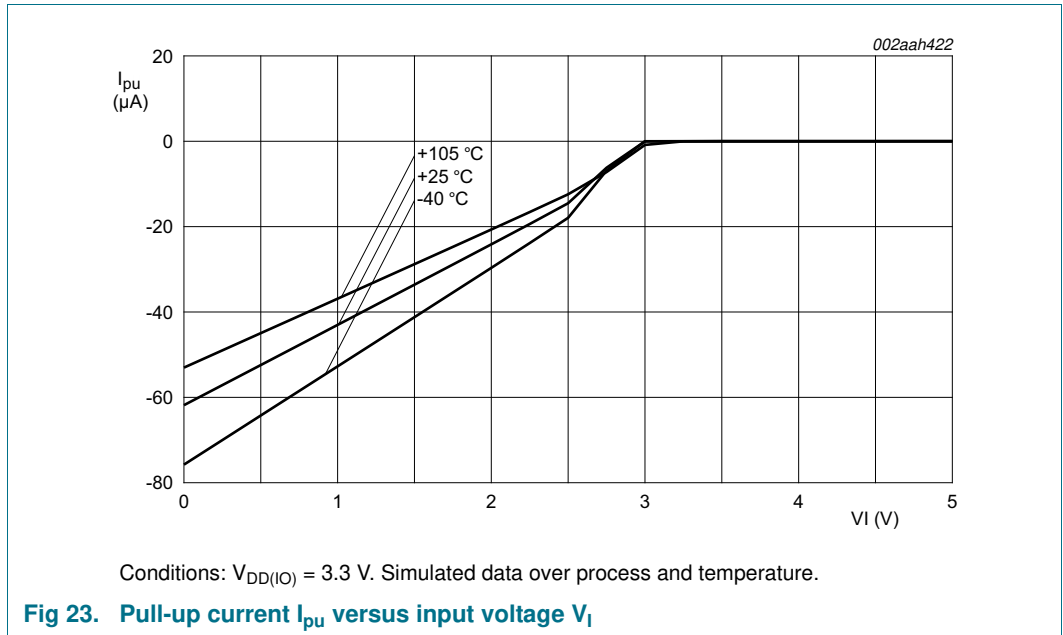


Conditions: $V_{DD(REG)(3V3)} = V_{DD(IO)} = 3.3$ V; high-drive; EHD = 0x2.



Conditions: $V_{DD(REG)(3V3)} = V_{DD(IO)} = 3.3$ V; ultra high-drive; EHD = 0x3.

Fig 22. High-drive pins; typical HIGH level output voltage V_{OH} versus HIGH level output current I_{OH}



10.4 BOD and band gap static characteristics

Table 13. BOD static characteristics^[1]

$T_{amb} = 25\text{ °C}$; simulated values for nominal processing.

Symbol	Parameter	Conditions	Min	Typ	Max	Unit	
V_{th}	threshold voltage	interrupt level 0					
		assertion	-	2.25	-	V	
		de-assertion	-	2.33	-	V	
		interrupt level 1					
		assertion	-	2.35	-	V	
		de-assertion	-	2.43	-	V	
		interrupt level 2					
		assertion	-	2.95	-	V	
		de-assertion	-	3.03	-	V	
		interrupt level 3					
		assertion	-	3.05	-	V	
		de-assertion	-	3.13	-	V	
		reset level 0					
		assertion	-	1.9	-	V	
		de-assertion	-	1.98	-	V	
		reset level 1					
		assertion	-	2.0	-	V	
		de-assertion	-	2.08	-	V	
		reset level 2					
		assertion	-	2.1	-	V	
		de-assertion	-	2.18	-	V	
		reset level 3					
		assertion	-	2.2	-	V	
		de-assertion	-	2.28	-	V	

[1] Interrupt and reset levels are selected by writing to the BODLV1/2 bits in the control register CREGE0, see the LPC18xx user manual.

Table 14. Band gap characteristics

$V_{DDA(3V3)}$ over specified ranges; $T_{amb} = -40\text{ °C}$ to $+105\text{ °C}$; unless otherwise specified

Symbol	Parameter	Conditions	Min	Typ	Max	Unit	
$V_{ref(bg)}$	band gap reference voltage	$T_{amb} = -40\text{ °C}$ to $+105\text{ °C}$	[1]	-	$673 \pm 2\%$	-	mV
		$T_{amb} = 0\text{ °C}$ to $+90\text{ °C}$	[1]	-	$673 \pm 1.6\%$	-	mV

[1] Characterized for typical samples.

11. Dynamic characteristics

11.1 Flash/EEPROM memory

Table 15. Flash characteristics

$T_{amb} = -40\text{ }^{\circ}\text{C}$ to $+105\text{ }^{\circ}\text{C}$, unless otherwise specified. $V_{DD(REG)(3V3)} = 2.2\text{ V}$ to 3.6 V for read operations; $V_{DD(REG)(3V3)} = 2.7\text{ V}$ to 3.6 V for erase/program operations.

Symbol	Parameter	Conditions	Min	Typ	Max	Unit
N_{endu}	endurance	sector erase/program	[1] 10000	-	-	cycles
		page erase/program; page in large sector	1000	-	-	cycles
		page erase/program; page in small sector	10000	-	-	cycles
t_{ret}	retention time	powered	10	-	-	years
		unpowered	10	-	-	years
t_{er}	erase time	page, sector, or multiple consecutive sectors	-	50	-	ms
t_{prog}	programming time		[2] -	1	-	ms

[1] Number of erase/program cycles.

[2] Programming times are given for writing 512 bytes from RAM to the flash. Data must be written to the flash in blocks of 512 bytes.

Table 16. EEPROM characteristics

$T_{amb} = -40\text{ }^{\circ}\text{C}$ to $+105\text{ }^{\circ}\text{C}$; $V_{DD(REG)(3V3)} = 2.7\text{ V}$ to 3.6 V .

Symbol	Parameter	Conditions	Min	Typ	Max	Unit
f_{clk}	clock frequency		800	1500	1600	kHz
N_{endu}	endurance		100 000	-	-	cycles
t_{ret}	retention time		-	20	-	years
t_a	access time	read	-	120	-	ns
		erase/program; $f_{clk} = 1500\text{ kHz}$	-	1.99	-	ms
		erase/program; $f_{clk} = 1600\text{ kHz}$	-	1.87	-	ms
t_{wait}	wait time	read; RPHASE1	[1] 35	-	-	ns
		read; RPHASE2	[1] 70	-	-	ns
		write; PHASE1	[1] 20	-	-	ns
		write; PHASE2	[1] 40	-	-	ns
		write; PHASE3	[1] 10	-	-	ns

[1] See the LPC18xx user manual how to program the wait states for the different read (RPHASEx) and erase/program phases (PHASEx)

11.2 Wake-up times

Table 17. Dynamic characteristic: Wake-up from Deep-sleep, Power-down, and Deep power-down modes

$T_{amb} = -40\text{ }^{\circ}\text{C to }+105\text{ }^{\circ}\text{C}$

Symbol	Parameter	Conditions	Min	Typ ^[1]	Max	Unit
t_{wake}	wake-up time	from Sleep mode	[2] <tbd>	$5 \times T_{cy(clk)}$	-	ns
		from Deep-sleep and Power-down mode	12	51	-	μs
		from Deep power-down mode	-	200	-	μs
		after reset	-	200	-	μs

[1] Typical ratings are not guaranteed. The values listed are at room temperature (25 °C), nominal supply voltages.

[2] $T_{cy(clk)} = 1/\text{CCLK}$ with CCLK = CPU clock frequency.

11.3 External clock for oscillator in slave mode

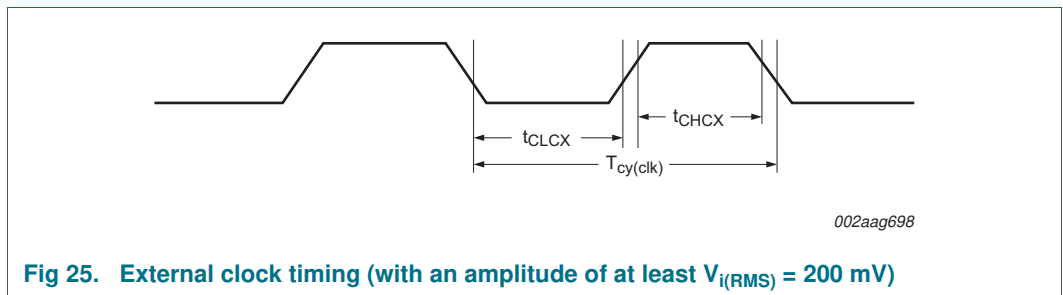
Remark: The input voltage on the XTAL1/2 pins must be $\leq 1.2\text{ V}$ (see Table 11). For connecting the oscillator to the XTAL pins, also see Section 13.2 and Section 13.4.

Table 18. Dynamic characteristic: external clock

$T_{amb} = -40\text{ }^{\circ}\text{C to }+105\text{ }^{\circ}\text{C}; V_{DD(I/O)}$ over specified ranges.^[1]

Symbol	Parameter	Conditions	Min	Max	Unit
f_{osc}	oscillator frequency		1	25	MHz
$T_{cy(clk)}$	clock cycle time		40	1000	ns
t_{CHCX}	clock HIGH time		$T_{cy(clk)} \times 0.4$	$T_{cy(clk)} \times 0.6$	ns
t_{CLCX}	clock LOW time		$T_{cy(clk)} \times 0.4$	$T_{cy(clk)} \times 0.6$	ns

[1] Parameters are valid over operating temperature range unless otherwise specified.



11.4 Crystal oscillator

Table 19. Dynamic characteristic: oscillator

$T_{amb} = -40\text{ }^{\circ}\text{C}$ to $+105\text{ }^{\circ}\text{C}$; $V_{DD(IO)}$ over specified ranges; $2.2\text{ V} \leq V_{DD(REG)(3V3)} \leq 3.6\text{ V}$.^[1]

Symbol	Parameter	Conditions	Min	Typ ^[2]	Max	Unit	
Low-frequency mode (1-20 MHz)^[5]							
$t_{jit(per)}$	period jitter time	5 MHz crystal	[3][4]	-	13.2	-	ps
		10 MHz crystal	-	-	6.6	-	ps
		15 MHz crystal	-	-	4.8	-	ps
High-frequency mode (20 - 25 MHz)^[6]							
$t_{jit(per)}$	period jitter time	20 MHz crystal	[3][4]	-	4.3	-	ps
		25 MHz crystal	-	-	3.7	-	ps

[1] Parameters are valid over operating temperature range unless otherwise specified.

[2] Typical ratings are not guaranteed. The values listed are at room temperature (25 °C), nominal supply voltages.

[3] Indicates RMS period jitter.

[4] PLL-induced jitter is not included.

[5] Select HF = 0 in the XTAL_OSC_CTRL register.

[6] Select HF = 1 in the XTAL_OSC_CTRL register.

11.5 IRC oscillator

Table 20. Dynamic characteristic: IRC oscillator

$2.2\text{ V} \leq V_{DD(REG)(3V3)} \leq 3.6\text{ V}$

Symbol	Parameter	Conditions	Min	Typ ^[1]	Max	Unit
$f_{osc(RC)}$	internal RC oscillator frequency	$-40\text{ }^{\circ}\text{C} \leq T_{amb} < 0\text{ }^{\circ}\text{C}$	11.76	12.0	12.24	MHz
		$0\text{ }^{\circ}\text{C} \leq T_{amb} \leq 85\text{ }^{\circ}\text{C}$	11.88	12.0	12.12	MHz
		$85\text{ }^{\circ}\text{C} < T_{amb} \leq 105\text{ }^{\circ}\text{C}$	11.76	12.0	12.24	MHz

[1] Typical ratings are not guaranteed. The values listed are at room temperature (25 °C), nominal supply voltages.

11.6 RTC oscillator

See [Section 13.3](#) for connecting the RTC oscillator to an external clock source.

Table 21. Dynamic characteristic: RTC oscillator

$T_{amb} = -40\text{ }^{\circ}\text{C}$ to $+105\text{ }^{\circ}\text{C}$; $2.2\text{ V} \leq V_{DD(REG)(3V3)} \leq 3.6\text{ V}$ or $2.2\text{ V} \leq V_{BAT} \leq 3.6\text{ V}$.^[1]

Symbol	Parameter	Conditions	Min	Typ ^[1]	Max	Unit
f_i	input frequency	-	-	32.768	-	kHz
$I_{CC(osc)}$	oscillator supply current	-	-	280	800	nA

[1] Parameters are valid over operating temperature range unless otherwise specified.

[2] Typical ratings are not guaranteed. The values listed are at room temperature (25 °C), nominal supply voltages.

11.7 I²C-busTable 22. Dynamic characteristic: I²C-bus pins $T_{amb} = -40\text{ }^{\circ}\text{C}$ to $+105\text{ }^{\circ}\text{C}$; $2.2\text{ V} \leq V_{DD(REG)(3V3)} \leq 3.6\text{ V}$ [1]

Symbol	Parameter	Conditions	Min	Max	Unit
f_{SCL}	SCL clock frequency	Standard-mode	0	100	kHz
		Fast-mode	0	400	kHz
		Fast-mode Plus	0	1	MHz
t_f	fall time	[3][4][5][6] of both SDA and SCL signals	-	300	ns
		Standard-mode			
		Fast-mode	$20 + 0.1 \times C_b$	300	ns
t_{LOW}	LOW period of the SCL clock	Standard-mode	4.7	-	μs
		Fast-mode	1.3	-	μs
		Fast-mode Plus	0.5	-	μs
t_{HIGH}	HIGH period of the SCL clock	Standard-mode	4.0	-	μs
		Fast-mode	0.6	-	μs
		Fast-mode Plus	0.26	-	μs
$t_{HD;DAT}$	data hold time	[2][3][7] Standard-mode	0	-	μs
		Fast-mode	0	-	μs
		Fast-mode Plus	0	-	μs
$t_{SU;DAT}$	data set-up time	[8][9] Standard-mode	250	-	ns
		Fast-mode	100	-	ns
		Fast-mode Plus	50	-	ns

- [1] Parameters are valid over operating temperature range unless otherwise specified. See the I²C-bus specification *UM10204* for details.
- [2] $t_{HD;DAT}$ is the data hold time that is measured from the falling edge of SCL; applies to data in transmission and the acknowledge.
- [3] A device must internally provide a hold time of at least 300 ns for the SDA signal (with respect to the $V_{IH(min)}$ of the SCL signal) to bridge the undefined region of the falling edge of SCL.
- [4] C_b = total capacitance of one bus line in pF. If mixed with Hs-mode devices, faster fall times are allowed.
- [5] The maximum t_f for the SDA and SCL bus lines is specified at 300 ns. The maximum fall time for the SDA output stage t_f is specified at 250 ns. This allows series protection resistors to be connected in between the SDA and the SCL pins and the SDA/SCL bus lines without exceeding the maximum specified t_f .
- [6] In Fast-mode Plus, fall time is specified the same for both output stage and bus timing. If series resistors are used, designers should allow for this when considering bus timing.
- [7] The maximum $t_{HD;DAT}$ could be 3.45 μs and 0.9 μs for Standard-mode and Fast-mode but must be less than the maximum of $t_{VD;DAT}$ or $t_{VD;ACK}$ by a transition time. This maximum must only be met if the device does not stretch the LOW period (t_{LOW}) of the SCL signal. If the clock stretches the SCL, the data must be valid by the set-up time before it releases the clock.
- [8] $t_{SU;DAT}$ is the data set-up time that is measured with respect to the rising edge of SCL; applies to data in transmission and the acknowledge.
- [9] A Fast-mode I²C-bus device can be used in a Standard-mode I²C-bus system but the requirement $t_{SU;DAT} = 250\text{ ns}$ must then be met. This will automatically be the case if the device does not stretch the LOW period of the SCL signal. If such a device does stretch the LOW period of the SCL signal, it must output the next data bit to the SDA line $t_{r(max)} + t_{SU;DAT} = 1000 + 250 = 1250\text{ ns}$ (according to the Standard-mode I²C-bus specification) before the SCL line is released. Also the acknowledge timing must meet this set-up time.

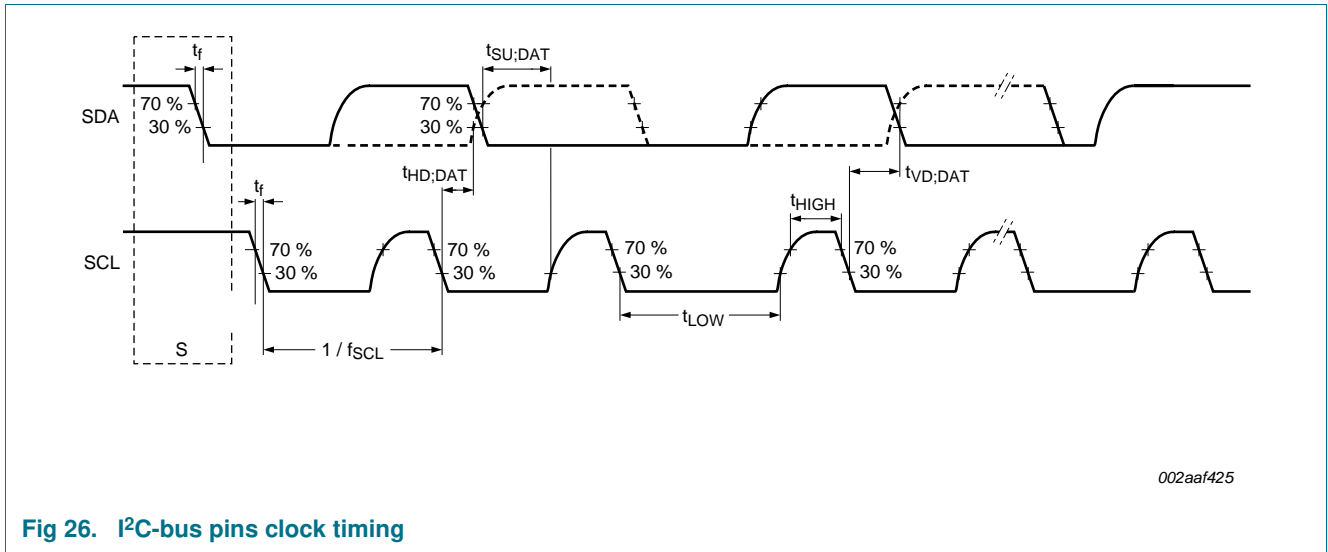


Fig 26. I²C-bus pins clock timing

11.8 I²S-bus interface

Table 23. Dynamic characteristics: I²S-bus interface pins

$T_{amb} = -40\text{ }^{\circ}\text{C}$ to $105\text{ }^{\circ}\text{C}$; $2.2\text{ V} \leq V_{DD(REG)(3V3)} \leq 3.6\text{ V}$; $2.7\text{ V} \leq V_{DD(I/O)} \leq 3.6\text{ V}$; $C_L = 20\text{ pF}$. Conditions and data refer to I2S0 and I2S1 pins. Simulated values.

Symbol	Parameter	Conditions	Min	Typ	Max	Unit	
common to input and output							
t_r	rise time		-	4	-	ns	
t_f	fall time		-	4	-	ns	
t_{WH}	pulse width HIGH	on pins I2Sx_TX_SCK and I2Sx_RX_SCK	36	-	-	ns	
t_{WL}	pulse width LOW	on pins I2Sx_TX_SCK and I2Sx_RX_SCK	36	-	-	ns	
output							
$t_{v(Q)}$	data output valid time	on pin I2Sx_TX_SDA	[1]	-	4.4	-	ns
		on pin I2Sx_TX_WS		-	4.3	-	ns
input							
$t_{su(D)}$	data input set-up time	on pin I2Sx_RX_SDA	[1]	-	0	-	ns
		on pin I2Sx_RX_WS		-	0.20	-	ns
$t_{h(D)}$	data input hold time	on pin I2Sx_RX_SDA	[1]	-	3.7	-	ns
		on pin I2Sx_RX_WS		-	3.9	-	ns

[1] Clock to the I²S-bus interface $BASE_APB1_CLK = 150\text{ MHz}$; peripheral clock to the I²S-bus interface $PCLK = BASE_APB1_CLK / 12$. I²S clock cycle time $T_{cy(clk)} = 79.2\text{ ns}$, corresponds to the SCK signal in the I²S-bus specification.

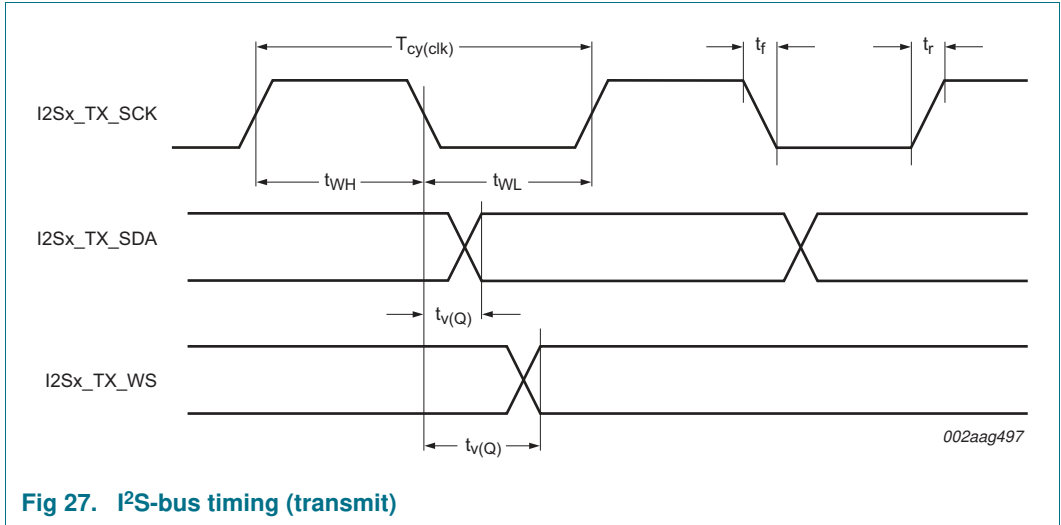


Fig 27. I²S-bus timing (transmit)

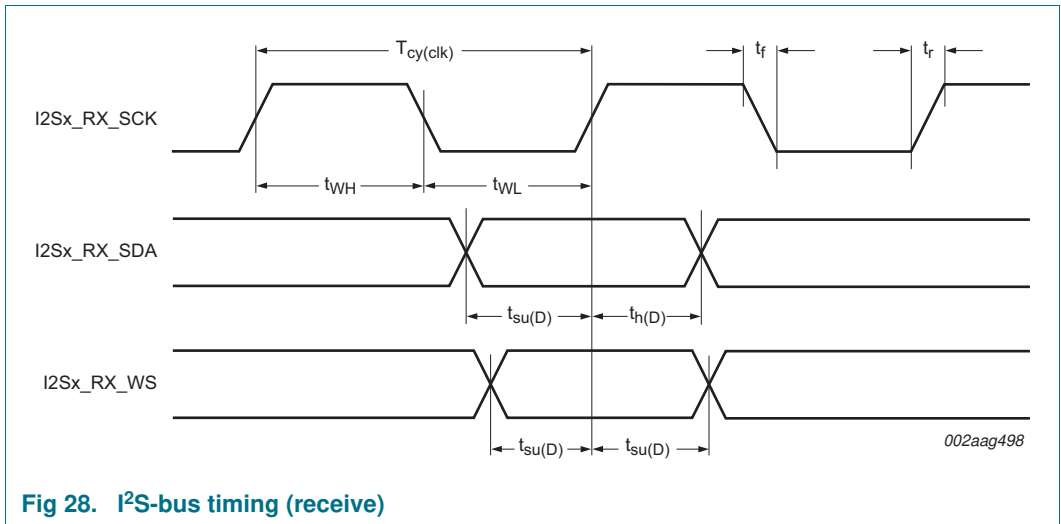


Fig 28. I²S-bus timing (receive)

11.9 USART interface

Table 24. Dynamic characteristics: USART interface

$T_{amb} = -40\text{ }^{\circ}\text{C}$ to $105\text{ }^{\circ}\text{C}$; $2.2\text{ V} \leq V_{DD(REG)(3V3)} \leq 3.6\text{ V}$; $2.7\text{ V} \leq V_{DD(IO)} \leq 3.6\text{ V}$; $C_L = 20\text{ pF}$.
Simulated values.

Symbol	Parameter	Conditions	Min	Typ	Max	Unit
$T_{cy(clk)}$	clock cycle time	on pins Ux_UCLK	-	0.1	-	μs
output						
$t_{v(Q)}$	data output valid time	on pin Ux_TXD	-	6.5	-	ns

11.10 SSP interface

Table 25. Dynamic characteristics: SSP pins in SPI mode

$T_{amb} = -40\text{ }^{\circ}\text{C}$ to $105\text{ }^{\circ}\text{C}$; $2.2\text{ V} \leq V_{DD(REG)(3V3)} \leq 3.6\text{ V}$; $2.7\text{ V} \leq V_{DD(IO)} \leq 3.6\text{ V}$. Simulated values.

Symbol	Parameter	Conditions	Min	Typ	Max	Unit
$T_{cy(clk)}$	clock cycle time	full-duplex mode [1]	-	40	-	ns
		when only transmitting	-	20	-	ns
SSP master						
t_{DS}	data set-up time	in SPI mode	13.3	-	-	ns
t_{DH}	data hold time	in SPI mode	-3.5	-	-	ns
$t_{v(Q)}$	data output valid time	in SPI mode	-	-	6.0	ns
$t_{h(Q)}$	data output hold time	in SPI mode	-	-	0	ns
SSP slave						
$T_{cy(PCLK)}$	PCLK cycle time		10			ns
$T_{cy(clk)}$	clock cycle time	[2]	120	-	-	ns
t_{DS}	data set-up time	in SPI mode	-	10.5	-	ns
t_{DH}	data hold time	in SPI mode	-	1	-	ns
$t_{v(Q)}$	data output valid time	in SPI mode	-	4.0	-	ns
$t_{h(Q)}$	data output hold time	in SPI mode	-	0.2	-	ns

[1] $T_{cy(clk)} = (SSPCLKDIV \times (1 + SCR) \times CPSDVSR) / f_{main}$. The clock cycle time derived from the SPI bit rate $T_{cy(clk)}$ is a function of the main clock frequency f_{main} , the SSP peripheral clock divider (SSPCLKDIV), the SSP SCR parameter (specified in the SSP0CR0 register), and the SSP CPSDVSR parameter (specified in the SSP clock prescale register).

[2] $T_{cy(clk)} = 12 \times T_{cy(PCLK)}$.

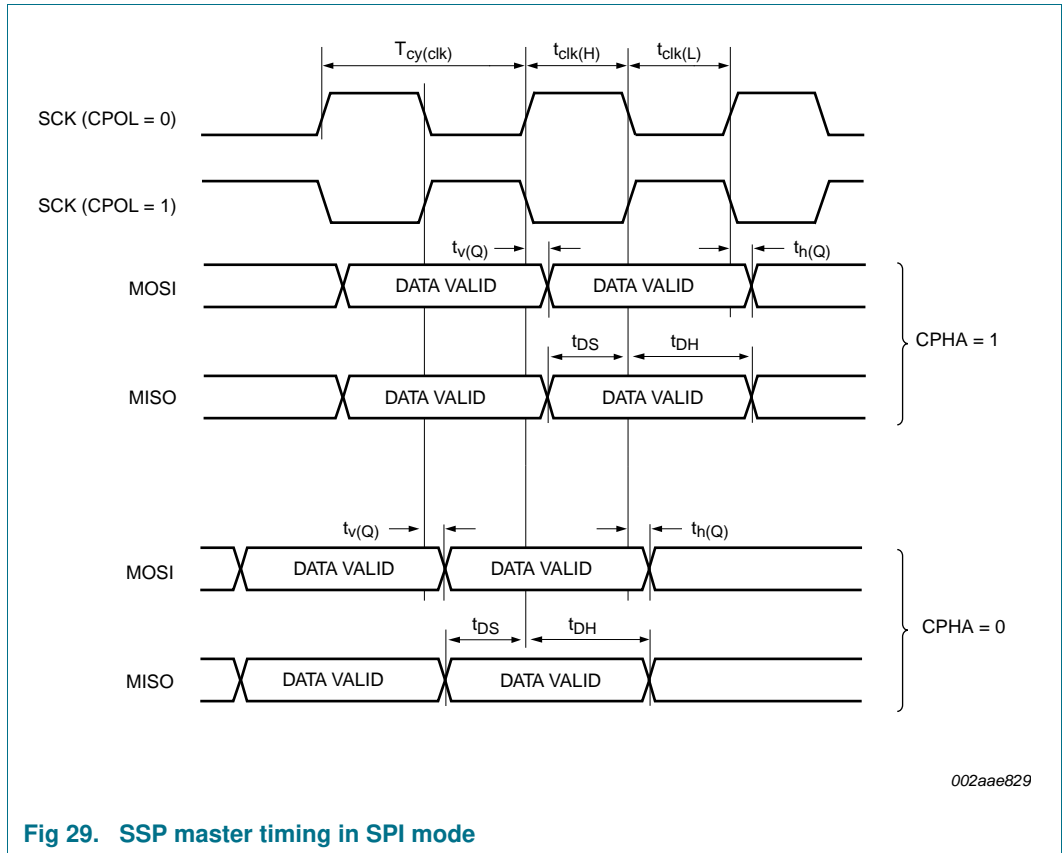


Fig 29. SSP master timing in SPI mode

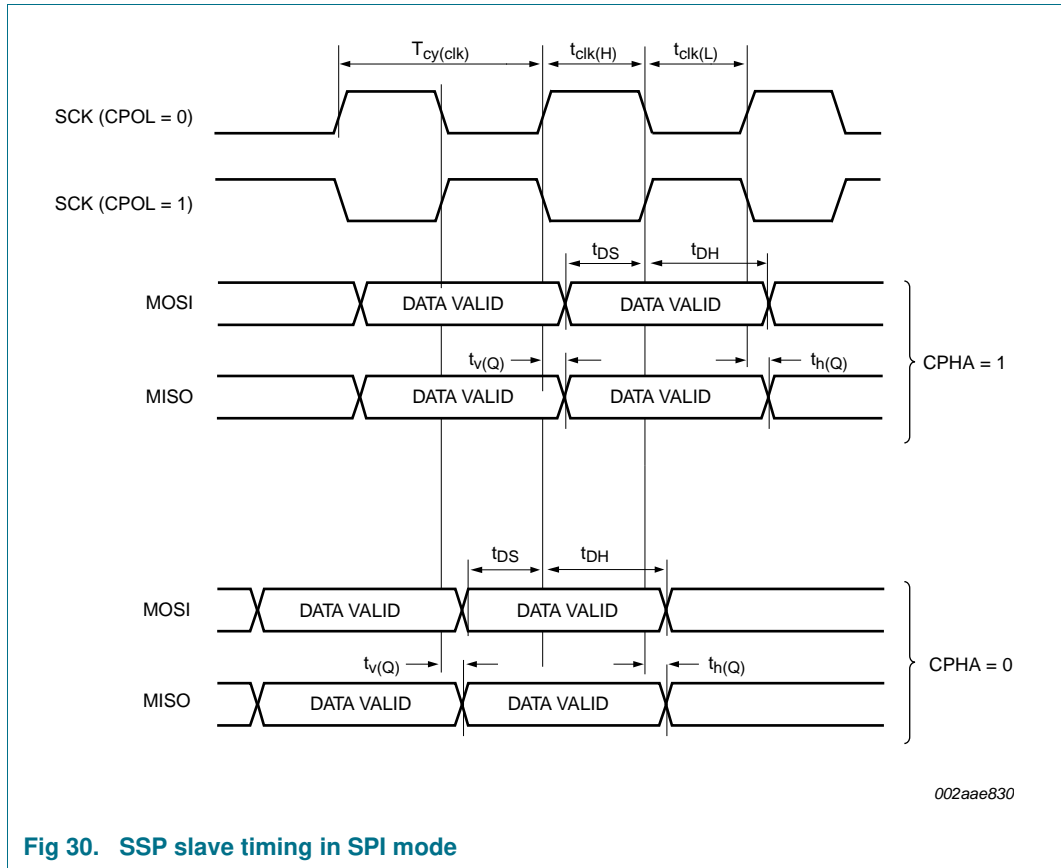


Fig 30. SSP slave timing in SPI mode

11.11 External memory interface

Table 26. Dynamic characteristics: Static external memory interface

$C_L = 22\text{ pF}$ for EMC_Dn $C_L = 20\text{ pF}$ for all others; $T_{amb} = -40\text{ }^\circ\text{C}$ to $105\text{ }^\circ\text{C}$; $2.2\text{ V} \leq V_{DD(REG)(3V3)} \leq 3.6\text{ V}$; $2.7\text{ V} \leq V_{DD(I/O)} \leq 3.6\text{ V}$; values guaranteed by design.

Symbol	Parameter ^[1]	Conditions	Min	Typ	Max	Unit
Read cycle parameters						
t _{CSLAV}	$\overline{\text{CS}}$ LOW to address valid time		-3.1	-	1.6	ns
t _{CSLOEL}	$\overline{\text{CS}}$ LOW to $\overline{\text{OE}}$ LOW time		^[2] $-0.6 + T_{cy(\text{clk})} \times \text{WAITOEN}$	-	$1.3 + T_{cy(\text{clk})} \times \text{WAITOEN}$	ns
t _{CSLBLSL}	$\overline{\text{CS}}$ LOW to $\overline{\text{BLS}}$ LOW time	PB = 1	-0.7	-	1.8	ns
t _{OELOEH}	$\overline{\text{OE}}$ LOW to $\overline{\text{OE}}$ HIGH time		^[2] $-0.6 + (\text{WAITRD} - \text{WAITOEN} + 1) \times T_{cy(\text{clk})}$	-	$-0.4 + (\text{WAITRD} - \text{WAITOEN} + 1) \times T_{cy(\text{clk})}$	ns
t _{am}	memory access time		-	-	$-16 + (\text{WAITRD} - \text{WAITOEN} + 1) \times T_{cy(\text{clk})}$	ns
t _{h(D)}	data input hold time		-16	-	-	ns
t _{CSHBLSH}	$\overline{\text{CS}}$ HIGH to $\overline{\text{BLS}}$ HIGH time	PB = 1	-0.4	-	1.9	ns
t _{CSHOEH}	CS HIGH to $\overline{\text{OE}}$ HIGH time		-0.4	-	1.4	ns
t _{OEHANV}	$\overline{\text{OE}}$ HIGH to address invalid	PB = 1	-2.0	-	2.6	ns
t _{CSHEOR}	$\overline{\text{CS}}$ HIGH to end of read time		^[3] -2.0	-	0	ns
t _{CSLSOR}	$\overline{\text{CS}}$ LOW to start of read time		^[4] 0	-	1.8	ns
Write cycle parameters						
t _{CSLAV}	$\overline{\text{CS}}$ LOW to address valid time		-3.1	-	1.6	ns
t _{CSLDV}	$\overline{\text{CS}}$ LOW to data valid time		-3.1	-	1.5	ns
t _{CSLWEL}	$\overline{\text{CS}}$ LOW to $\overline{\text{WE}}$ LOW time	PB = 1	-1.5	-	0.2	ns
t _{CSLBLSL}	$\overline{\text{CS}}$ LOW to $\overline{\text{BLS}}$ LOW time	PB = 1	-0.7	-	1.8	ns
t _{WELWEH}	$\overline{\text{WE}}$ LOW to $\overline{\text{WE}}$ HIGH time	PB = 1	^[2] $-0.6 + (\text{WAITWR} - \text{WAITWEN} + 1) \times T_{cy(\text{clk})}$	-	$-0.4 + (\text{WAITWR} - \text{WAITWEN} + 1) \times T_{cy(\text{clk})}$	ns
t _{WEHDNV}	$\overline{\text{WE}}$ HIGH to data invalid time	PB = 1	^[2] $-0.9 + T_{cy(\text{clk})}$	-	$2.3 + T_{cy(\text{clk})}$	ns
t _{WEHEOW}	$\overline{\text{WE}}$ HIGH to end of write time	PB = 1	^[2] $-0.4 + T_{cy(\text{clk})}$ ^[5]	-	$-0.3 + T_{cy(\text{clk})}$	ns
t _{CSLBLSL}	$\overline{\text{CS}}$ LOW to $\overline{\text{BLS}}$ LOW	PB = 0	-0.7	-	1.8	ns
t _{BLSLBLSH}	$\overline{\text{BLS}}$ LOW to $\overline{\text{BLS}}$ HIGH time	PB = 0	^[2] $-0.9 + (\text{WAITWR} - \text{WAITWEN} + 1) \times T_{cy(\text{clk})}$	-	$-0.1 + (\text{WAITWR} - \text{WAITWEN} + 1) \times T_{cy(\text{clk})}$	ns
t _{BLSHEOW}	$\overline{\text{BLS}}$ HIGH to end of write time	PB = 0	^[2] $-1.9 + T_{cy(\text{clk})}$ ^[5]	-	$-0.5 + T_{cy(\text{clk})}$	ns

Table 27. Dynamic characteristics: Dynamic external memory interface

Simulated data over temperature and process range; $C_L = 10\text{ pF}$ for $\overline{EMC_DYCSn}$, $\overline{EMC_RAS}$, $\overline{EMC_CAS}$, $\overline{EMC_WE}$, $\overline{EMC_An}$; $C_L = 9\text{ pF}$ for $\overline{EMC_Dn}$; $C_L = 5\text{ pF}$ for $\overline{EMC_DQMOUTn}$, $\overline{EMC_CLKn}$, $\overline{EMC_CKEOUTn}$; $T_{amb} = -40\text{ }^\circ\text{C}$ to $105\text{ }^\circ\text{C}$; $2.2\text{ V} \leq V_{DD(REG)(3V3)} \leq 3.6\text{ V}$; $V_{DD(IO)} = 3.3\text{ V} \pm 10\%$; $RD = 1$ (see *LPC18xx User manual*); $\overline{EMC_CLKn}$ delays $CLK0_DELAY = CLK1_DELAY = CLK2_DELAY = CLK3_DELAY = 0$.

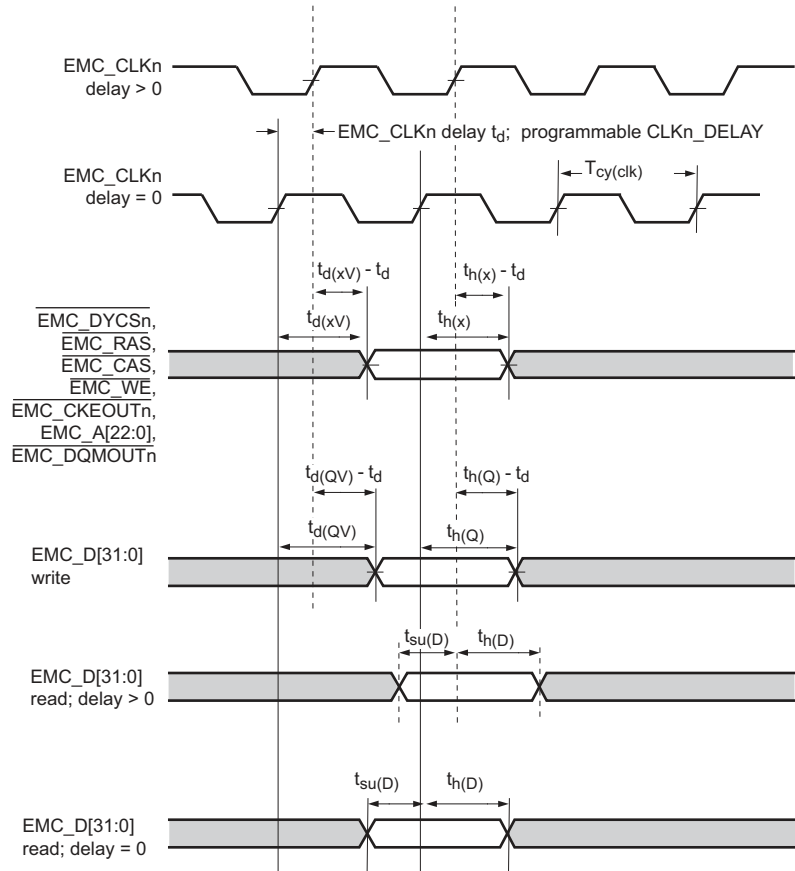
Symbol	Parameter	Min	Typ	Max	Unit
$T_{cy(clk)}$	clock cycle time	8.4	-	-	ns
Common to read and write cycles					
$t_{d(DYCSV)}$	dynamic chip select valid delay time	-	$3.1 + 0.5 \times T_{cy(clk)}$	$5.1 + 0.5 \times T_{cy(clk)}$	ns
$t_{h(DYCS)}$	dynamic chip select hold time	$0.3 + 0.5 \times T_{cy(clk)}$	$0.9 + 0.5 \times T_{cy(clk)}$	-	ns
$t_{d(RASV)}$	row address strobe valid delay time	-	$3.1 + 0.5 \times T_{cy(clk)}$	$4.9 + 0.5 \times T_{cy(clk)}$	ns
$t_{h(RAS)}$	row address strobe hold time	$0.5 + 0.5 \times T_{cy(clk)}$	$1.1 + 0.5 \times T_{cy(clk)}$	-	ns
$t_{d(CASV)}$	column address strobe valid delay time	-	$2.9 + 0.5 \times T_{cy(clk)}$	$4.6 + 0.5 \times T_{cy(clk)}$	ns
$t_{h(CAS)}$	column address strobe hold time	$0.3 + 0.5 \times T_{cy(clk)}$	$0.9 + 0.5 \times T_{cy(clk)}$	-	ns
$t_{d(WEV)}$	write enable valid delay time	-	$3.2 + 0.5 \times T_{cy(clk)}$	$5.9 + 0.5 \times T_{cy(clk)}$	ns
$t_{h(WE)}$	write enable hold time	$1.3 + 0.5 \times T_{cy(clk)}$	$1.4 + 0.5 \times T_{cy(clk)}$	-	ns
$t_{d(DQMOUTV)}$	\overline{DQMOUT} valid delay time	-	$3.1 + 0.5 \times T_{cy(clk)}$	$5.0 + 0.5 \times T_{cy(clk)}$	ns
$t_{h(DQMOUT)}$	\overline{DQMOUT} hold time	$0.2 + 0.5 \times T_{cy(clk)}$	$0.8 + 0.5 \times T_{cy(clk)}$	-	ns
$t_{d(AV)}$	address valid delay time	-	$3.8 + 0.5 \times T_{cy(clk)}$	$6.3 + 0.5 \times T_{cy(clk)}$	ns
$t_{h(A)}$	address hold time	$0.3 + 0.5 \times T_{cy(clk)}$	$0.9 + 0.5 \times T_{cy(clk)}$	-	ns
$t_{d(CKEOUTV)}$	\overline{CKEOUT} valid delay time	-	$3.1 + 0.5 \times T_{cy(clk)}$	$5.1 + 0.5 \times T_{cy(clk)}$	ns
$t_{h(CKEOUT)}$	\overline{CKEOUT} hold time	$0.5 \times T_{cy(clk)}$	$0.7 + 0.5 \times T_{cy(clk)}$	-	ns
Read cycle parameters					
$t_{su(D)}$	data input set-up time	-1.5	-0.5	-	ns
$t_{h(D)}$	data input hold time	-	0.8	2.2	ns
Write cycle parameters					
$t_{d(QV)}$	data output valid delay time	-	$3.8 + 0.5 \times T_{cy(clk)}$	$6.2 + 0.5 \times T_{cy(clk)}$	ns
$t_{h(Q)}$	data output hold time	$0.5 \times T_{cy(clk)}$	$0.7 + 0.5 \times T_{cy(clk)}$	-	ns

Table 28. Dynamic characteristics: Dynamic external memory interface; EMC_CLK[3:0] delay values

$T_{amb} = -40\text{ }^\circ\text{C}$ to $105\text{ }^\circ\text{C}$; $V_{DD(IO)} = 3.3\text{ V} \pm 10\%$; $2.2\text{ V} \leq V_{DD(REG)(3V3)} \leq 3.6\text{ V}$.

Symbol	Parameter	Conditions	Min	Typ	Max	Unit
t_d	delay time	delay value [1]				
		$CLKn_DELAY = 0$	0.0	0.0	0.0	ns
		$CLKn_DELAY = 1$ [1]	0.4	0.5	0.8	ns
		$CLKn_DELAY = 2$ [1]	0.7	1.0	1.7	ns
		$CLKn_DELAY = 3$ [1]	1.1	1.6	2.5	ns
		$CLKn_DELAY = 4$ [1]	1.4	2.0	3.3	ns
		$CLKn_DELAY = 5$ [1]	1.7	2.6	4.1	ns
		$CLKn_DELAY = 6$ [1]	2.1	3.1	4.9	ns
		$CLKn_DELAY = 7$ [1]	2.5	3.6	5.8	ns

[1] Program the EMC_CLKn delay values in the EMCDELAYCLK register (see the *LPC18xx User manual*). The delay values must be the same for all SDRAM clocks EMC_CLKn: $CLK0_DELAY = CLK1_DELAY = CLK2_DELAY = CLK3_DELAY$.



002aag703

For the programmable EMC_CLK[3:0] clock delays CLKn_DELAY, see [Table 28](#).

Remark: For SDRAM operation, set CLK0_DELAY = CLK1_DELAY = CLK2_DELAY = CLK3_DELAY in the EMCDELAYCLK register.

Fig 33. SDRAM timing

11.12 USB interface

Table 29. Dynamic characteristics: USB0 and USB1 pins (full-speed)

$C_L = 50\text{ pF}$; $R_{pu} = 1.5\text{ k}\Omega$ on $D+$ to $V_{DD(I/O)}$, unless otherwise specified; $3.0\text{ V} \leq V_{DD(I/O)} \leq 3.6\text{ V}$.

Symbol	Parameter	Conditions	Min	Typ	Max	Unit
t_r	rise time	10 % to 90 %	8.5	-	13.8	ns
t_f	fall time	10 % to 90 %	7.7	-	13.7	ns
t_{FRFM}	differential rise and fall time matching	t_r / t_f	-	-	109	%
V_{CRS}	output signal crossover voltage		1.3	-	2.0	V
t_{FEOPT}	source SE0 interval of EOP	see Figure 34	160	-	175	ns
t_{FDEOP}	source jitter for differential transition to SE0 transition	see Figure 34	-2	-	+5	ns
t_{JR1}	receiver jitter to next transition		-18.5	-	+18.5	ns
t_{JR2}	receiver jitter for paired transitions	10 % to 90 %	-9	-	+9	ns
t_{EOPR1}	EOP width at receiver	must reject as EOP; see Figure 34	[1] 40	-	-	ns
t_{EOPR2}	EOP width at receiver	must accept as EOP; see Figure 34	[1] 82	-	-	ns

[1] Characterized but not implemented as production test. Guaranteed by design.

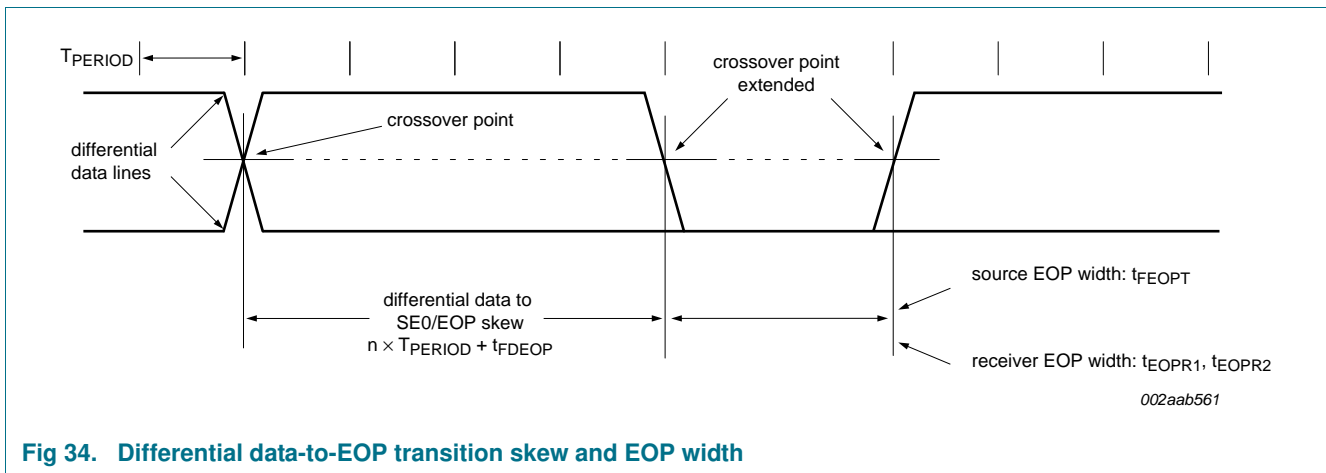


Fig 34. Differential data-to-EOP transition skew and EOP width

Table 30. Static characteristics: USB0 PHY pins^[1]

Symbol	Parameter	Conditions	Min	Typ	Max	Unit	
High-speed mode							
P _{cons}	power consumption		[2]	-	68	-	mW
I _{DDA(3V3)}	analog supply current (3.3 V)	on pin USB0_VDDA3V3_DRIVER;	[3]				
		total supply current		-	18	-	mA
		during transmit		-	31	-	mA
		during receive		-	14	-	mA
		with driver tri-stated		-	14	-	mA
I _{DDD}	digital supply current			-	7	-	mA
Full-speed/low-speed mode							
P _{cons}	power consumption		[2]	-	15	-	mW
I _{DDA(3V3)}	analog supply current (3.3 V)	on pin USB0_VDDA3V3_DRIVER;					
		total supply current		-	3.5	-	mA
		during transmit		-	5	-	mA
		during receive		-	3	-	mA
		with driver tri-stated		-	3	-	mA
I _{DDD}	digital supply current			-	3	-	mA
Suspend mode							
I _{DDA(3V3)}	analog supply current (3.3 V)			-	24	-	μA
		with driver tri-stated		-	24	-	μA
		with OTG functionality enabled		-	3	-	mA
I _{DDD}	digital supply current			-	30	-	μA
VBUS detector outputs							
V _{th}	threshold voltage	for VBUS valid		4.4	-	-	V
		for session end		0.2	-	0.8	V
		for A valid		0.8	-	2	V
		for B valid		2	-	4	V
V _{hys}	hysteresis voltage	for session end		-	150	10	mV
		A valid		-	200	10	mV
		B valid		-	200	10	mV

[1] Characterized but not implemented as production test.

[2] Total average power consumption.

[3] The driver is active only 20 % of the time.

11.13 Ethernet

Table 31. Dynamic characteristics: Ethernet

$T_{amb} = -40\text{ }^{\circ}\text{C}$ to $105\text{ }^{\circ}\text{C}$, $2.2\text{ V} \leq V_{DD(REG)(3V3)} \leq 3.6\text{ V}$; $2.7\text{ V} \leq V_{DD(I/O)} \leq 3.6\text{ V}$. Values guaranteed by design.

Symbol	Parameter	Conditions	Min	Max	Unit
RMII mode					
f_{clk}	clock frequency	for ENET_RX_CLK	[1]	-	50 MHz
δ_{clk}	clock duty cycle		[1]	50	%
t_{su}	set-up time	for ENET_TXDn, ENET_TX_EN, ENET_RXDn, ENET_RX_ER, ENET_RX_DV	[1][2]	4	ns
t_h	hold time	for ENET_TXDn, ENET_TX_EN, ENET_RXDn, ENET_RX_ER, ENET_RX_DV	[1][2]	2	ns
MII mode					
f_{clk}	clock frequency	for ENET_TX_CLK	[1]	-	25 MHz
δ_{clk}	clock duty cycle		[1]	50	%
t_{su}	set-up time	for ENET_TXDn, ENET_TX_EN, ENET_TX_ER	[1][2]	4	ns
t_h	hold time	for ENET_TXDn, ENET_TX_EN, ENET_TX_ER	[1][2]	2	ns
f_{clk}	clock frequency	for ENET_RX_CLK	[1]	-	25 MHz
δ_{clk}	clock duty cycle		[1]	50	%
t_{su}	set-up time	for ENET_RXDn, ENET_RX_ER, ENET_RX_DV	[1][2]	4	ns
t_h	hold time	for ENET_RXDn, ENET_RX_ER, ENET_RX_DV	[1][2]	2	ns

- [1] Output drivers can drive a load $\geq 25\text{ pF}$ accommodating over 12 inch of PCB trace and the input capacitance of the receiving device.
- [2] Timing values are given from the point at which the clock signal waveform crosses 1.4 V to the valid input or output level.

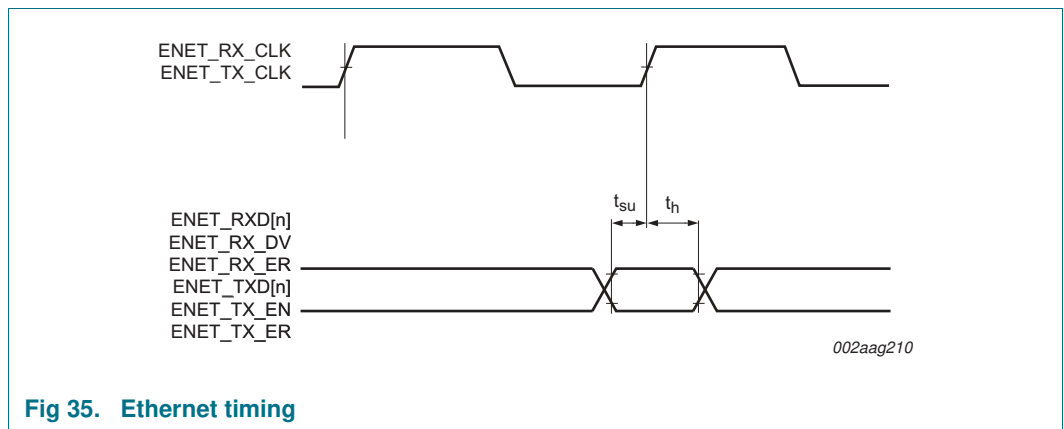


Fig 35. Ethernet timing

11.14 SD/MMC

Table 32. Dynamic characteristics: SD/MMC

$T_{amb} = -40\text{ }^{\circ}\text{C}$ to $105\text{ }^{\circ}\text{C}$; $2.2\text{ V} \leq V_{DD(REG)(3V3)} \leq 3.6\text{ V}$; $2.7\text{ V} \leq V_{DD(IO)} \leq 3.6\text{ V}$; $C_L = 20\text{ pF}$.
 Simulated values.

Symbol	Parameter	Conditions	Min	Max	Unit
f_{clk}	clock frequency	on pin SD_CLK; data transfer mode	40	-	MHz
$t_{su(D)}$	data input set-up time	on pins SD_CMD, SD_DATn as inputs	16	-	ns
$t_{h(D)}$	data input hold time	on pins SD_CMD, SD_DATn as inputs	-2	-	ns
$t_{d(QV)}$	data output valid delay time	on pins SD_CMD, SD_DATn as outputs	-	12	ns
$t_{h(Q)}$	data output hold time	on pins SD_CMD, SD_DATn as outputs	0.3	-	ns

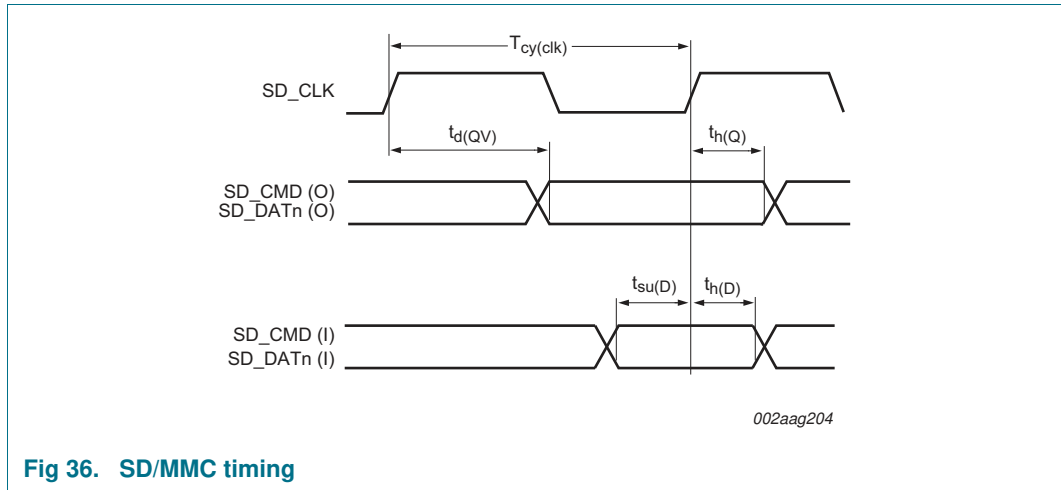


Fig 36. SD/MMC timing

11.15 LCD

Table 33. Dynamic characteristics: LCD

$T_{amb} = -40\text{ }^{\circ}\text{C}$ to $105\text{ }^{\circ}\text{C}$; $2.2\text{ V} \leq V_{DD(REG)(3V3)} \leq 3.6\text{ V}$; $2.7\text{ V} \leq V_{DD(IO)} \leq 3.6\text{ V}$; $C_L = 20\text{ pF}$.
 Simulated values.

Symbol	Parameter	Conditions	Min	Typ	Max	Unit
f_{clk}	clock frequency	on pin LCD_DCLK	-	50	-	MHz
$t_{d(QV)}$	data output valid delay time		-	-	17	ns
$t_{h(Q)}$	data output hold time		8.5	-	-	ns

11.16 SPIFI

Table 34. Dynamic characteristics: SPIFI

$T_{amb} = -40\text{ }^{\circ}\text{C}$ to $105\text{ }^{\circ}\text{C}$; $2.2\text{ V} \leq V_{DD(REG)(3V3)} \leq 3.6\text{ V}$; $2.7\text{ V} \leq V_{DD(IO)} \leq 3.6\text{ V}$. $C_L = 10\text{ pF}$.
Simulated values.

Symbol	Parameter	Min	Max	Unit
$T_{cy(\text{clk})}$	clock cycle time	9.6	-	ns
t_{DS}	data set-up time	3.4	-	ns
t_{DH}	data hold time	0	-	ns
$t_{v(Q)}$	data output valid time	-	8	ns
$t_{h(Q)}$	data output hold time	5	-	ns

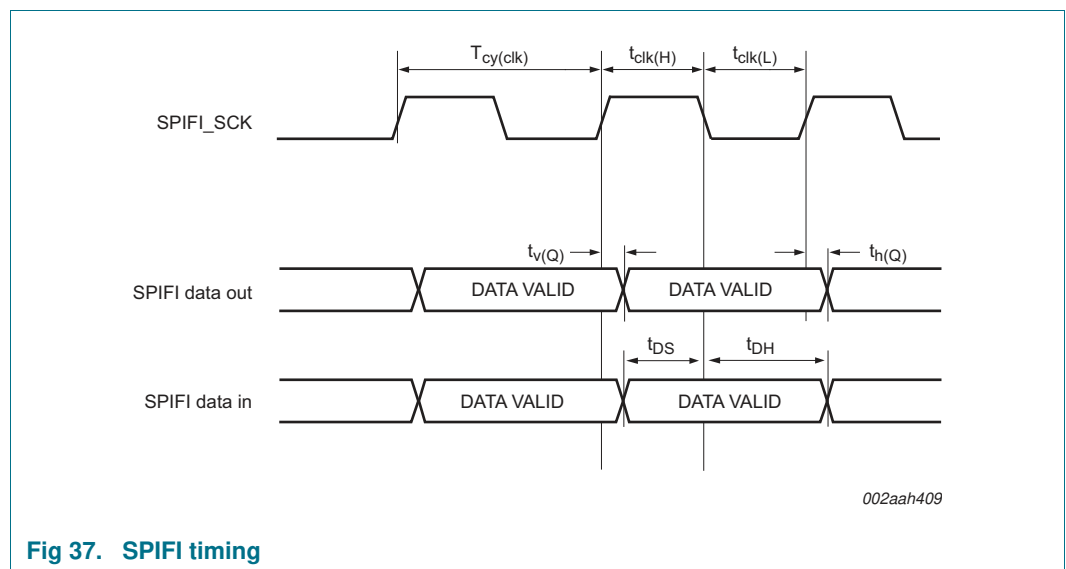


Fig 37. SPIFI timing

12. ADC/DAC electrical characteristics

Table 35. ADC characteristics

$V_{DDA(3V3)}$ over specified ranges; $T_{amb} = -40\text{ °C}$ to $+105\text{ °C}$; unless otherwise specified.

Symbol	Parameter	Conditions	Min	Typ	Max	Unit	
V_{IA}	analog input voltage		0	-	$V_{DDA(3V3)}$	V	
C_{ia}	analog input capacitance		-	-	2	pF	
E_D	differential linearity error	$2.7\text{ V} \leq V_{DDA(3V3)} \leq 3.6\text{ V}$	[1][2]	-	± 0.8	-	LSB
		$2.2\text{ V} \leq V_{DDA(3V3)} < 2.7\text{ V}$	-	-	± 1.0	-	LSB
$E_{L(adj)}$	integral non-linearity	$2.7\text{ V} \leq V_{DDA(3V3)} \leq 3.6\text{ V}$	[3]	-	± 0.8	-	LSB
		$2.2\text{ V} \leq V_{DDA(3V3)} < 2.7\text{ V}$	-	-	± 1.5	-	LSB
E_O	offset error	$2.7\text{ V} \leq V_{DDA(3V3)} \leq 3.6\text{ V}$	[4]	-	± 0.15	-	LSB
		$2.2\text{ V} \leq V_{DDA(3V3)} < 2.7\text{ V}$	-	-	± 0.15	-	LSB
E_G	gain error	$2.7\text{ V} \leq V_{DDA(3V3)} \leq 3.6\text{ V}$	[5]	-	± 0.3	-	%
		$2.2\text{ V} \leq V_{DDA(3V3)} < 2.7\text{ V}$	-	-	± 0.35	-	%
E_T	absolute error	$2.7\text{ V} \leq V_{DDA(3V3)} \leq 3.6\text{ V}$	[6]	-	± 3	-	LSB
		$2.2\text{ V} \leq V_{DDA(3V3)} < 2.7\text{ V}$	-	-	± 4	-	LSB
R_{vsi}	voltage source interface resistance	see Figure 39	-	-	$1/(7 \times f_{clk(ADC)} \times C_{ia})$	k Ω	
R_i	input resistance		[7][8]	-	1.2	M Ω	
$f_{clk(ADC)}$	ADC clock frequency		-	-	4.5	MHz	
f_s	sampling frequency	10-bit resolution; 11 clock cycles	-	-	400	kSamples/s	
		2-bit resolution; 3 clock cycles	-	-	1.5	MSamples/s	

[1] The ADC is monotonic, there are no missing codes.

[2] The differential linearity error (E_D) is the difference between the actual step width and the ideal step width. See [Figure 38](#).

[3] The integral non-linearity ($E_{L(adj)}$) is the peak difference between the center of the steps of the actual and the ideal transfer curve after appropriate adjustment of gain and offset errors. See [Figure 38](#).

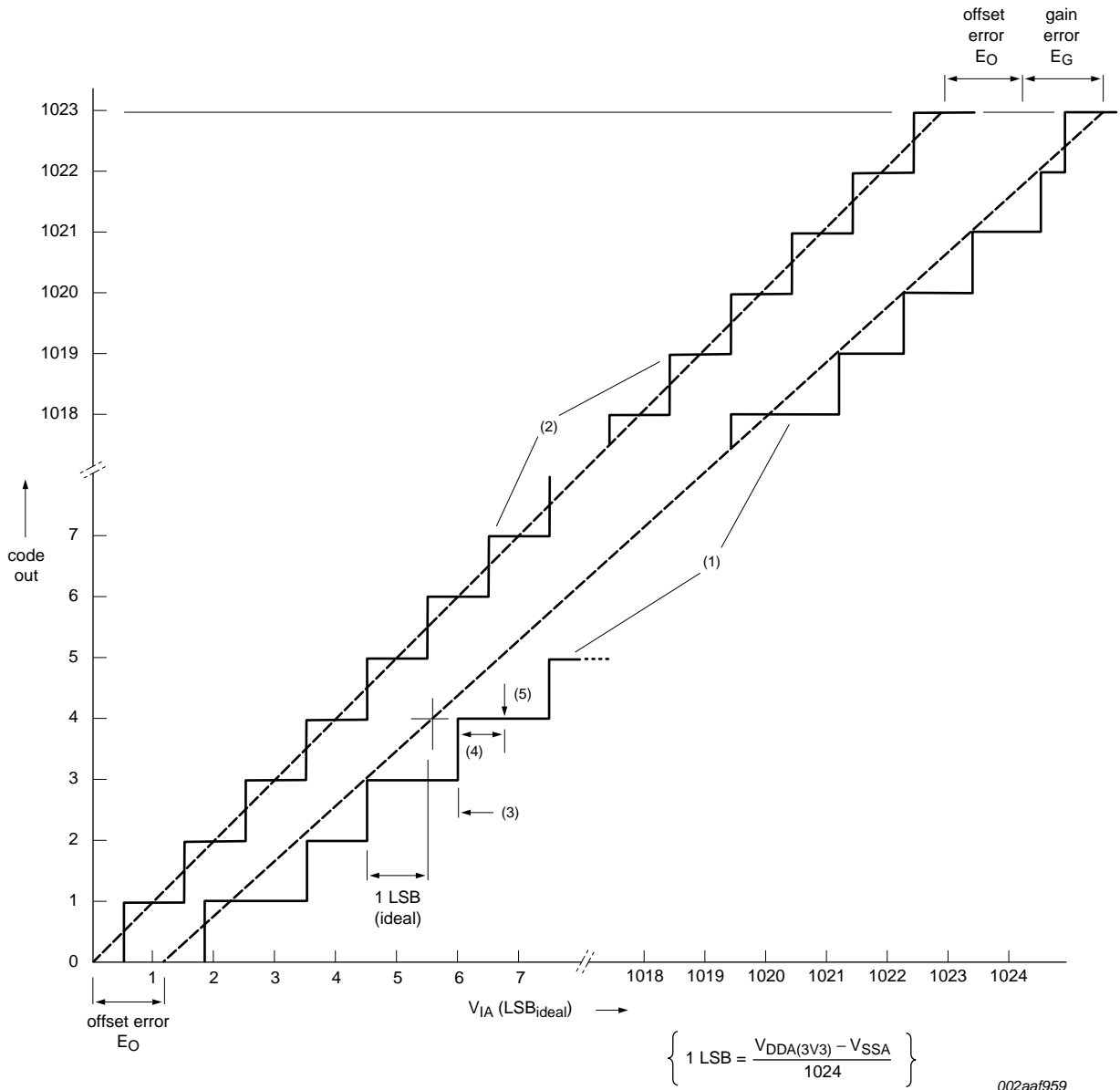
[4] The offset error (E_O) is the absolute difference between the straight line which fits the actual curve and the straight line which fits the ideal curve. See [Figure 38](#).

[5] The gain error (E_G) is the relative difference in percent between the straight line fitting the actual transfer curve after removing offset error, and the straight line which fits the ideal transfer curve. See [Figure 38](#).

[6] The absolute error (E_T) is the maximum difference between the center of the steps of the actual transfer curve of the non-calibrated ADC and the ideal transfer curve. See [Figure 38](#).

[7] $T_{amb} = 25\text{ °C}$.

[8] Input resistance R_i depends on the sampling frequency f_s : $R_i = 2\text{ k}\Omega + 1 / (f_s \times C_{ia})$.



- (1) Example of an actual transfer curve.
- (2) The ideal transfer curve.
- (3) Differential linearity error (E_D).
- (4) Integral non-linearity ($E_{L(adj)}$).
- (5) Center of a step of the actual transfer curve.

Fig 38. 10-bit ADC characteristics

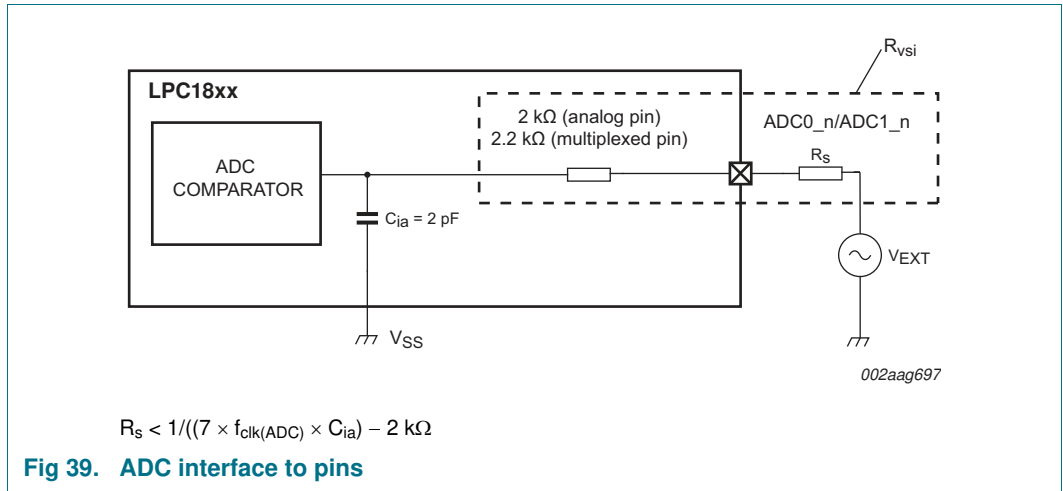


Table 36. DAC characteristics

$V_{DDA(3V3)}$ over specified ranges; $T_{amb} = -40 \text{ }^\circ\text{C}$ to $+105 \text{ }^\circ\text{C}$; unless otherwise specified

Symbol	Parameter	Conditions	Min	Typ	Max	Unit	
E_D	differential linearity error	$2.7 \text{ V} \leq V_{DDA(3V3)} \leq 3.6 \text{ V}$	[1]	-	± 0.8	-	LSB
		$2.2 \text{ V} \leq V_{DDA(3V3)} < 2.7 \text{ V}$	-	-	± 1.0	-	LSB
$E_{L(adj)}$	integral non-linearity	code = 0 to 975	[1]	-	± 1.0	-	LSB
		$2.7 \text{ V} \leq V_{DDA(3V3)} \leq 3.6 \text{ V}$	-	-	± 1.5	-	LSB
E_O	offset error	$2.7 \text{ V} \leq V_{DDA(3V3)} \leq 3.6 \text{ V}$	[1]	-	± 0.8	-	LSB
		$2.2 \text{ V} \leq V_{DDA(3V3)} < 2.7 \text{ V}$	-	-	± 1.0	-	LSB
E_G	gain error	$2.7 \text{ V} \leq V_{DDA(3V3)} \leq 3.6 \text{ V}$	[1]	-	± 0.3	-	%
		$2.2 \text{ V} \leq V_{DDA(3V3)} < 2.7 \text{ V}$	-	-	± 1.0	-	%
C_L	load capacitance		-	-	200	pF	
R_L	load resistance		1	-	-	k Ω	
t_s	settling time		[1]	0.4	-	μs	

[1] In the DAC CR register, bit BIAS = 0 (see the *LPC18xx user manual*).

[2] Settling time is calculated within 1/2 LSB of the final value.

13. Application information

13.1 LCD panel signal usage

Table 37. LCD panel connections for STN single panel mode

External pin	4-bit mono STN single panel		8-bit mono STN single panel		Color STN single panel	
	LPC18xx pin used	LCD function	LPC18xx pin used	LCD function	LPC18xx pin used	LCD function
LCD_VD[23:8]	-	-	-	-	-	-
LCD_VD7	-	-	P8_4	UD[7]	P8_4	UD[7]
LCD_VD6	-	-	P8_5	UD[6]	P8_5	UD[6]
LCD_VD5	-	-	P8_6	UD[5]	P8_6	UD[5]
LCD_VD4	-	-	P8_7	UD[4]	P8_7	UD[4]
LCD_VD3	P4_2	UD[3]	P4_2	UD[3]	P4_2	UD[3]
LCD_VD2	P4_3	UD[2]	P4_3	UD[2]	P4_3	UD[2]
LCD_VD1	P4_4	UD[1]	P4_4	UD[1]	P4_4	UD[1]
LCD_VD0	P4_1	UD[0]	P4_1	UD[0]	P4_1	UD[0]
LCD_LP	P7_6	LCDLP	P7_6	LCDLP	P7_6	LCDLP
LCD_ENAB/ LCDM	P4_6	LCDENAB/ LCDM	P4_6	LCDENAB/ LCDM	P4_6	LCDENAB/ LCDM
LCD_FP	P4_5	LCDFP	P4_5	LCDFP	P4_5	LCDFP
LCD_DCLK	P4_7	LCDDCLK	P4_7	LCDDCLK	P4_7	LCDDCLK
LCD_LE	P7_0	LCDLE	P7_0	LCDLE	P7_0	LCDLE
LCD_PWR	P7_7	CDPWR	P7_7	LCDPWR	P7_7	LCDPWR
GP_CLKIN	PF_4	LCDCLKIN	PF_4	LCDCLKIN	PF_4	LCDCLKIN

Table 38. LCD panel connections for STN dual panel mode

External pin	4-bit mono STN dual panel		8-bit mono STN dual panel		Color STN dual panel	
	LPC18xx pin used	LCD function	LPC18xx pin used	LCD function	LPC18xx pin used	LCD function
LCD_VD[23:16]	-	-	-	-	-	-
LCD_VD15	-	-	PB_4	LD[7]	PB_4	LD[7]
LCD_VD14	-	-	PB_5	LD[6]	PB_5	LD[6]
LCD_VD13	-	-	PB_6	LD[5]	PB_6	LD[5]
LCD_VD12	-	-	P8_3	LD[4]	P8_3	LD[4]
LCD_VD11	P4_9	LD[3]	P4_9	LD[3]	P4_9	LD[3]
LCD_VD10	P4_10	LD[2]	P4_10	LD[2]	P4_10	LD[2]
LCD_VD9	P4_8	LD[1]	P4_8	LD[1]	P4_8	LD[1]
LCD_VD8	P7_5	LD[0]	P7_5	LD[0]	P7_5	LD[0]
LCD_VD7	-	-	-	UD[7]	P8_4	UD[7]
LCD_VD6	-	-	P8_5	UD[6]	P8_5	UD[6]
LCD_VD5	-	-	P8_6	UD[5]	P8_6	UD[5]
LCD_VD4	-	-	P8_7	UD[4]	P8_7	UD[4]
LCD_VD3	P4_2	UD[3]	P4_2	UD[3]	P4_2	UD[3]

Table 38. LCD panel connections for STN dual panel mode

External pin	4-bit mono STN dual panel		8-bit mono STN dual panel		Color STN dual panel	
	LPC18xx pin used	LCD function	LPC18xx pin used	LCD function	LPC18xx pin used	LCD function
LCD_VD2	P4_3	UD[2]	P4_3	UD[2]	P4_3	UD[2]
LCD_VD1	P4_4	UD[1]	P4_4	UD[1]	P4_4	UD[1]
LCD_VD0	P4_1	UD[0]	P4_1	UD[0]	P4_1	UD[0]
LCD_LP	P7_6	LCDLP	P7_6	LCDLP	P7_6	LCDLP
LCD_ENAB/ LCDM	P4_6	LCDENAB/ LCDM	P4_6	LCDENAB/ LCDM	P4_6	LCDENAB/ LCDM
LCD_FP	P4_5	LCDFP	P4_5	LCDFP	P4_5	LCDFP
LCD_DCLK	P4_7	LCDDCLK	P4_7	LCDDCLK	P4_7	LCDDCLK
LCD_LE	P7_0	LCDLE	P7_0	LCDLE	P7_0	LCDLE
LCD_PWR	P7_7	LCDPWR	P7_7	LCDPWR	P7_7	LCDPWR
GP_CLKIN	PF_4	LCDCLKIN	PF_4	LCDCLKIN	PF_4	LCDCLKIN

Table 39. LCD panel connections for TFT panels

External pin	TFT 12 bit (4:4:4 mode)		TFT 16 bit (5:6:5 mode)		TFT 16 bit (1:5:5:5 mode)		TFT 24 bit	
	LPC18xx pin used	LCD function	LPC18xx pin used	LCD function	LPC18xx pin used	LCD function	LPC18xx pin used	LCD function
LCD_VD23	PB_0	BLUE3	PB_0	BLUE4	PB_0	BLUE4		BLUE7
LCD_VD22	PB_1	BLUE2	PB_1	BLUE3	PB_1	BLUE3		BLUE6
LCD_VD21	PB_2	BLUE1	PB_2	BLUE2	PB_2	BLUE2		BLUE5
LCD_VD20	PB_3	BLUE0	PB_3	BLUE1	PB_3	BLUE1		BLUE4
LCD_VD19	-	-	P7_1	BLUE0	P7_1	BLUE0		BLUE3
LCD_VD18	-	-	-	-	P7_2	intensity		BLUE2
LCD_VD17	-	-	-	-	-	-	P7_3	BLUE1
LCD_VD16	-	-	-	-	-	-	P7_4	BLUE0
LCD_VD15	PB_4	GREEN3	PB_4	GREEN5	PB_4	GREEN4	PB_4	GREEN7
LCD_VD14	PB_5	GREEN2	PB_5	GREEN4	PB_5	GREEN3	PB_5	GREEN6
LCD_VD13	PB_6	GREEN1	PB_6	GREEN3	PB_6	GREEN2	PB_6	GREEN5
LCD_VD12	P8_3	GREEN0	P8_3	GREEN2	P8_3	GREEN1	P8_3	GREEN4
LCD_VD11	-	-	P4_9	GREEN1	P4_9	GREEN0	P4_9	GREEN3
LCD_VD10	-	-	P4_10	GREEN0	P4_10	intensity	P4_10	GREEN2
LCD_VD9	-	-	-	-	-	-	P4_8	GREEN1
LCD_VD8	-	-	-	-	-	-	P7_5	GREEN0
LCD_VD7	P8_4	RED3	P8_4	RED4	P8_4	RED4	P8_4	RED7
LCD_VD6	P8_5	RED2	P8_5	RED3	P8_5	RED3	P8_5	RED6
LCD_VD5	P8_6	RED1	P8_6	RED2	P8_6	RED2	P8_6	RED5
LCD_VD4	P8_7	RED0	P8_7	RED1	P8_7	RED1	P8_7	RED4
LCD_VD3	-	-	P4_2	RED0	P4_2	RED0	P4_2	RED3
LCD_VD2	-	-	-	-	P4_3	intensity	P4_3	RED2
LCD_VD1	-	-	-	-	-	-	P4_4	RED1

Table 39. LCD panel connections for TFT panels

External pin	TFT 12 bit (4:4:4 mode)		TFT 16 bit (5:6:5 mode)		TFT 16 bit (1:5:5:5 mode)		TFT 24 bit	
	LPC18xx pin used	LCD function	LPC18xx pin used	LCD function	LPC18xx pin used	LCD function	LPC18xx pin used	LCD function
LCD_VD0	-	-	-	-	-	-	P4_1	RED0
LCD_LP	P7_6	LCDLP	P7_6	LCDLP	P7_6	LCDLP	P7_6	LCDLP
LCD_ENAB /LCDM	P4_6	LCDENAB/LCDM	P4_6	LCDENAB/LCDM	P4_6	LCDENAB/LCDM	P4_6	LCDENAB/LCDM
LCD_FP	P4_5	LCDFP	P4_5	LCDFP	P4_5	LCDFP	P4_5	LCDFP
LCD_DCLK	P4_7	LCDDCLK	P4_7	LCDDCLK	P4_7	LCDDCLK	P4_7	LCDDCLK
LCD_LE	P7_0	LCDLE	P7_0	LCDLE	P7_0	LCDLE	P7_0	LCDLE
LCD_PWR	P7_7	LCDPWR	P7_7	LCDPWR	P7_7	LCDPWR	P7_7	LCDPWR
GP_CLKIN	PF_4	LCDCLKIN	PF_4	LCDCLKIN	PF_4	LCDCLKIN	PF_4	LCDCLKIN

13.2 Crystal oscillator

The crystal oscillator is controlled by the XTAL_OSC_CTRL register in the CGU (see *LPC18xx user manual*).

The crystal oscillator operates at frequencies of 1 MHz to 25 MHz. This frequency can be boosted to a higher frequency, up to the maximum CPU operating frequency, by the PLL. The oscillator can operate in one of two modes: slave mode and oscillation mode.

- In slave mode, couple the input clock signal with a capacitor of 100 pF (C_C in [Figure 40](#)), with an amplitude of at least 200 mV (RMS). The XTAL2 pin in this configuration can be left unconnected.
- External components and models used in oscillation mode are shown in [Figure 41](#), and in [Table 40](#) and [Table 41](#). Since the feedback resistance is integrated on chip, only a crystal and the capacitances C_{X1} and C_{X2} need to be connected externally in case of fundamental mode oscillation (L , C_L and R_s represent the fundamental frequency). Capacitance C_P in [Figure 41](#) represents the parallel package capacitance and must not be larger than 7 pF. Parameters F_C , C_L , R_s and C_P are supplied by the crystal manufacturer.

Table 40. Recommended values for $C_{X1/X2}$ in oscillation mode (crystal and external components parameters) low frequency mode

Fundamental oscillation frequency	Maximum crystal series resistance R_s	External load capacitors C_{X1} , C_{X2}
2 MHz	< 200 Ω	33 pF, 33 pF
	< 200 Ω	39 pF, 39 pF
	< 200 Ω	56 pF, 56 pF
4 MHz	< 200 Ω	18 pF, 18 pF
	< 200 Ω	39 pF, 39 pF
	< 200 Ω	56 pF, 56 pF
8 MHz	< 200 Ω	18 pF, 18 pF
	< 200 Ω	39 pF, 39 pF

Table 40. Recommended values for $C_{X1/X2}$ in oscillation mode (crystal and external components parameters) low frequency mode

Fundamental oscillation frequency	Maximum crystal series resistance R_S	External load capacitors C_{X1}, C_{X2}
12 MHz	$< 160 \Omega$	18 pF, 18 pF
	$< 160 \Omega$	39 pF, 39 pF
16 MHz	$< 120 \Omega$	18 pF, 18 pF
	$< 80 \Omega$	33 pF, 33 pF
20 MHz	$< 100 \Omega$	18 pF, 18 pF
	$< 80 \Omega$	33 pF, 33 pF

Table 41. Recommended values for $C_{X1/X2}$ in oscillation mode (crystal and external components parameters) high frequency mode

Fundamental oscillation frequency	Maximum crystal series resistance R_S	External load capacitors C_{X1}, C_{X2}
15 MHz	$< 80 \Omega$	18 pF, 18 pF
20 MHz	$< 80 \Omega$	39 pF, 39 pF
	$< 100 \Omega$	47 pF, 47 pF

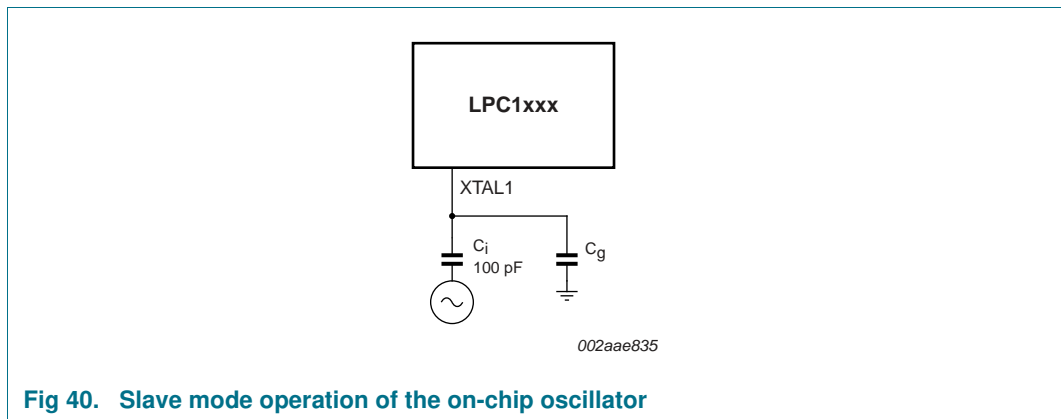


Fig 40. Slave mode operation of the on-chip oscillator

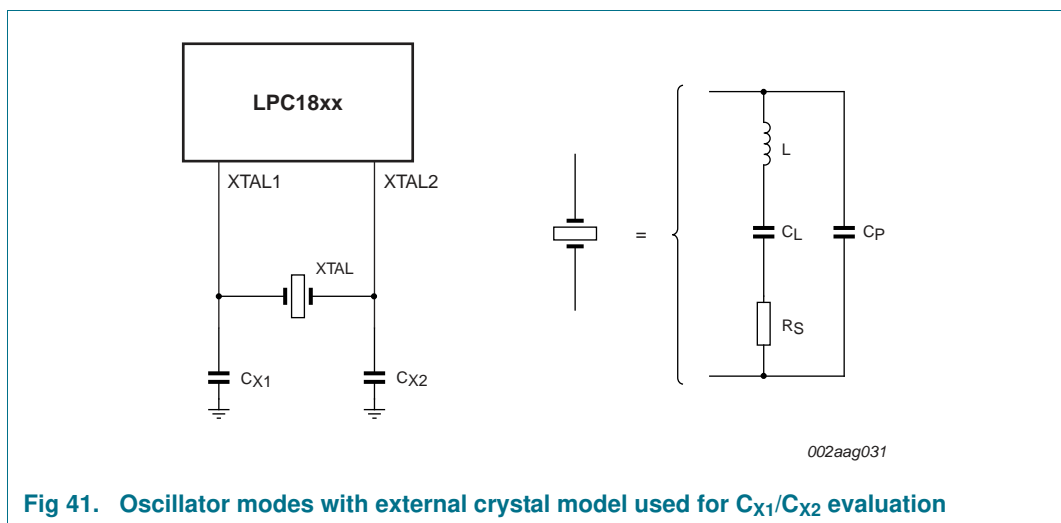


Fig 41. Oscillator modes with external crystal model used for C_{X1}/C_{X2} evaluation

13.3 RTC oscillator

In the RTC oscillator circuit, only the crystal (XTAL) and the capacitances C_{RTCX1} and C_{RTCX2} need to be connected externally. Typical capacitance values for C_{RTCX1} and C_{RTCX2} are $C_{RTCX1/2} = 20$ (typical) ± 4 pF.

An external clock can be connected to RTCX1 if RTCX2 is left open. The recommended amplitude of the clock signal is $V_{i(RMS)} = 100$ mV to 200 mV with a coupling capacitance of 5 pF to 10 pF.

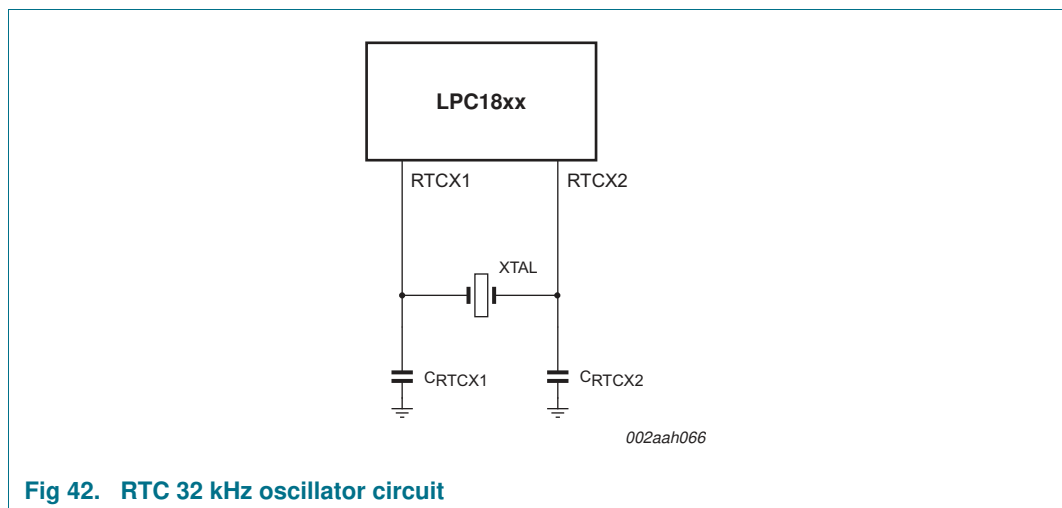


Fig 42. RTC 32 kHz oscillator circuit

13.4 XTAL and RTCX Printed Circuit Board (PCB) layout guidelines

Connect the crystal on the PCB as close as possible to the oscillator input and output pins of the chip. Take care that the load capacitors C_{X1} , C_{X2} , and C_{X3} in case of third overtone crystal usage have a common ground plane. Also connect the external components to the ground plain. To keep the noise coupled in via the PCB as small as possible, make loops and parasitics as small as possible. Choose smaller values of C_{X1} and C_{X2} if parasitics increase in the PCB layout.

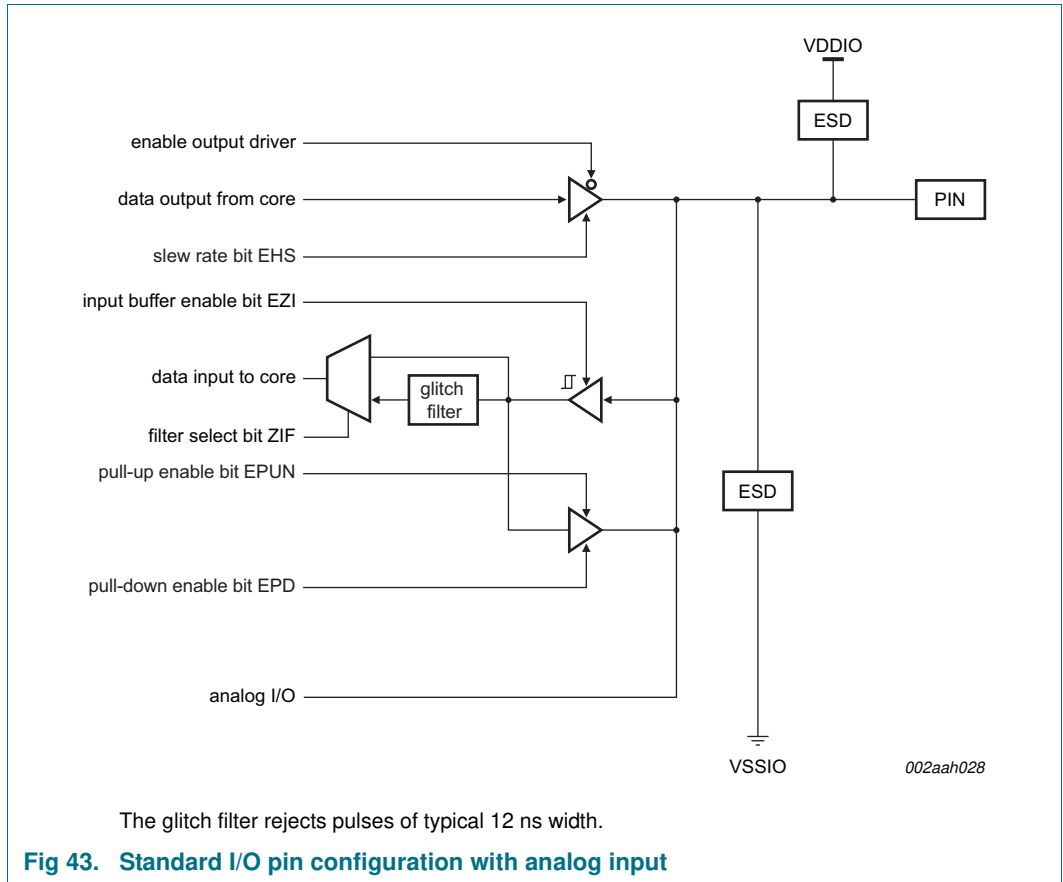
Ensure no high-speed or high-drive signals are near the RTCX1/2 signals.

13.5 Standard I/O pin configuration

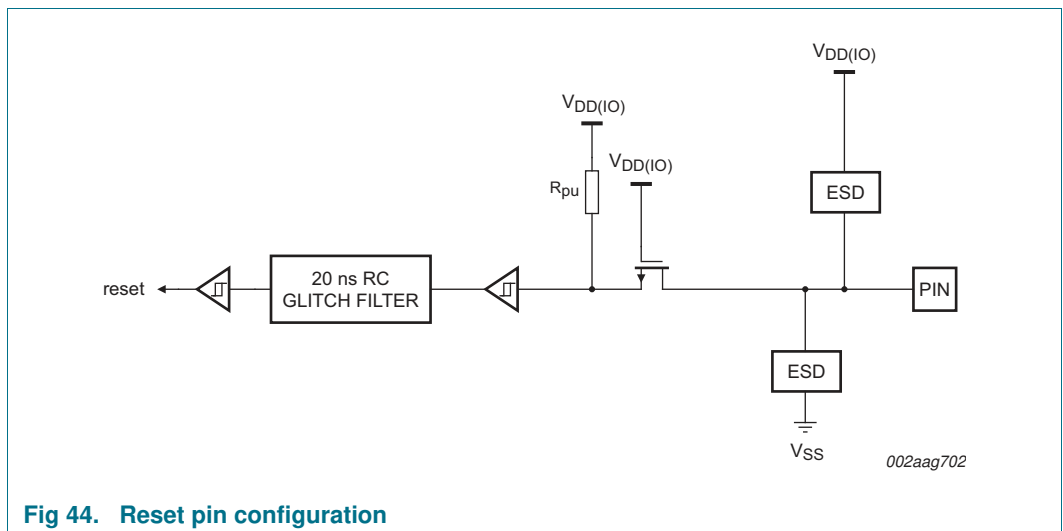
Figure 43 shows the possible pin modes for standard I/O pins with analog input function:

- Digital output driver enabled/disabled
- Digital input: Pull-up enabled/disabled
- Digital input: Pull-down enabled/disabled
- Digital input: Repeater mode enabled/disabled
- Digital input: Input buffer enabled/disabled
- Analog input

The default configuration for standard I/O pins is input buffer disabled and pull-up enabled. The weak MOS devices provide a drive capability equivalent to pull-up and pull-down resistors.



13.6 Reset pin configuration



14. Package outline

LPGA256: plastic low profile ball grid array package; 256 balls; body 17 x 17 x 1 mm

SOT740-2

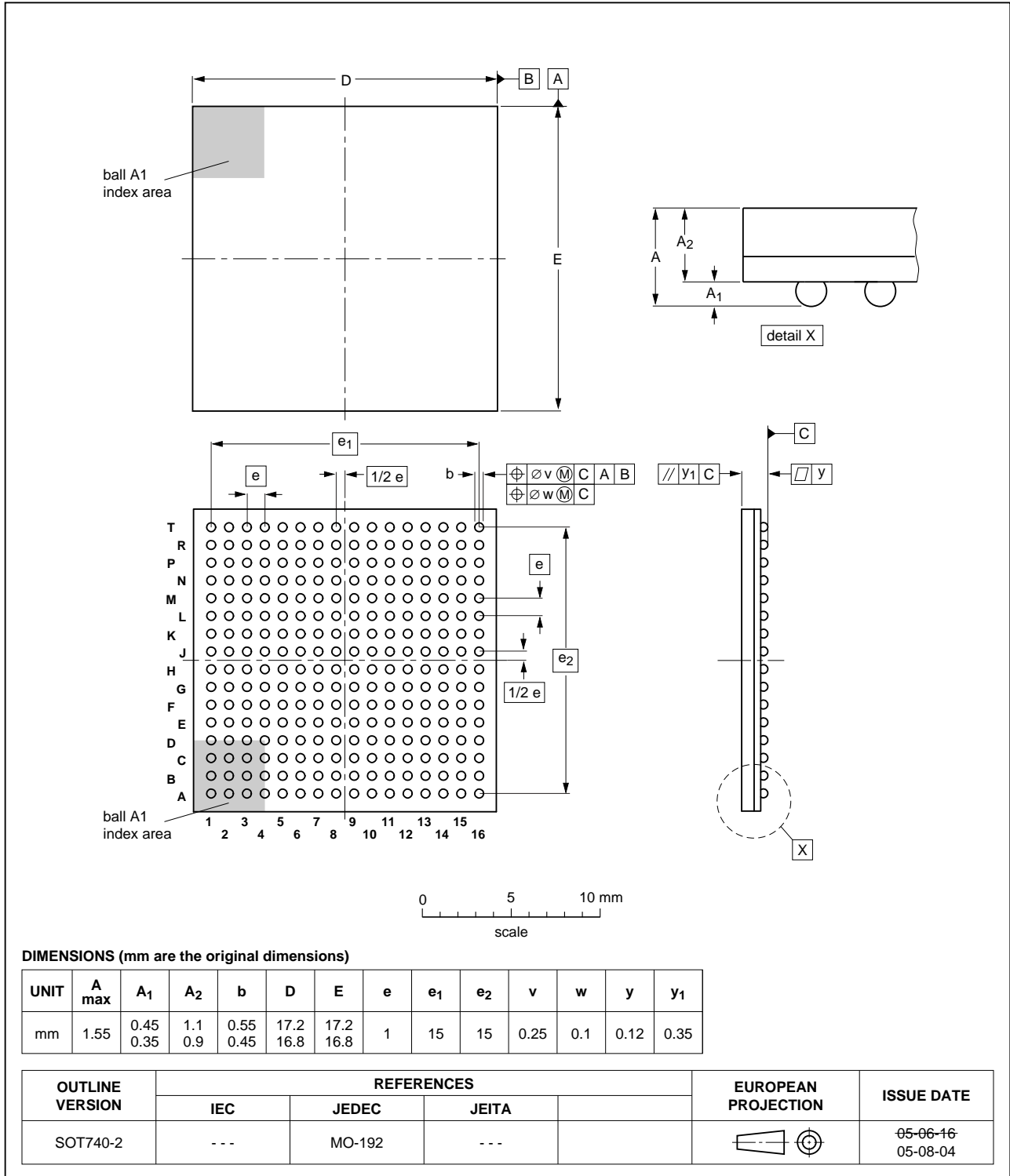


Fig 45. Package outline of the LPGA256 package

TFBGA100: plastic thin fine-pitch ball grid array package; 100 balls; body 9 x 9 x 0.7 mm

SOT926-1

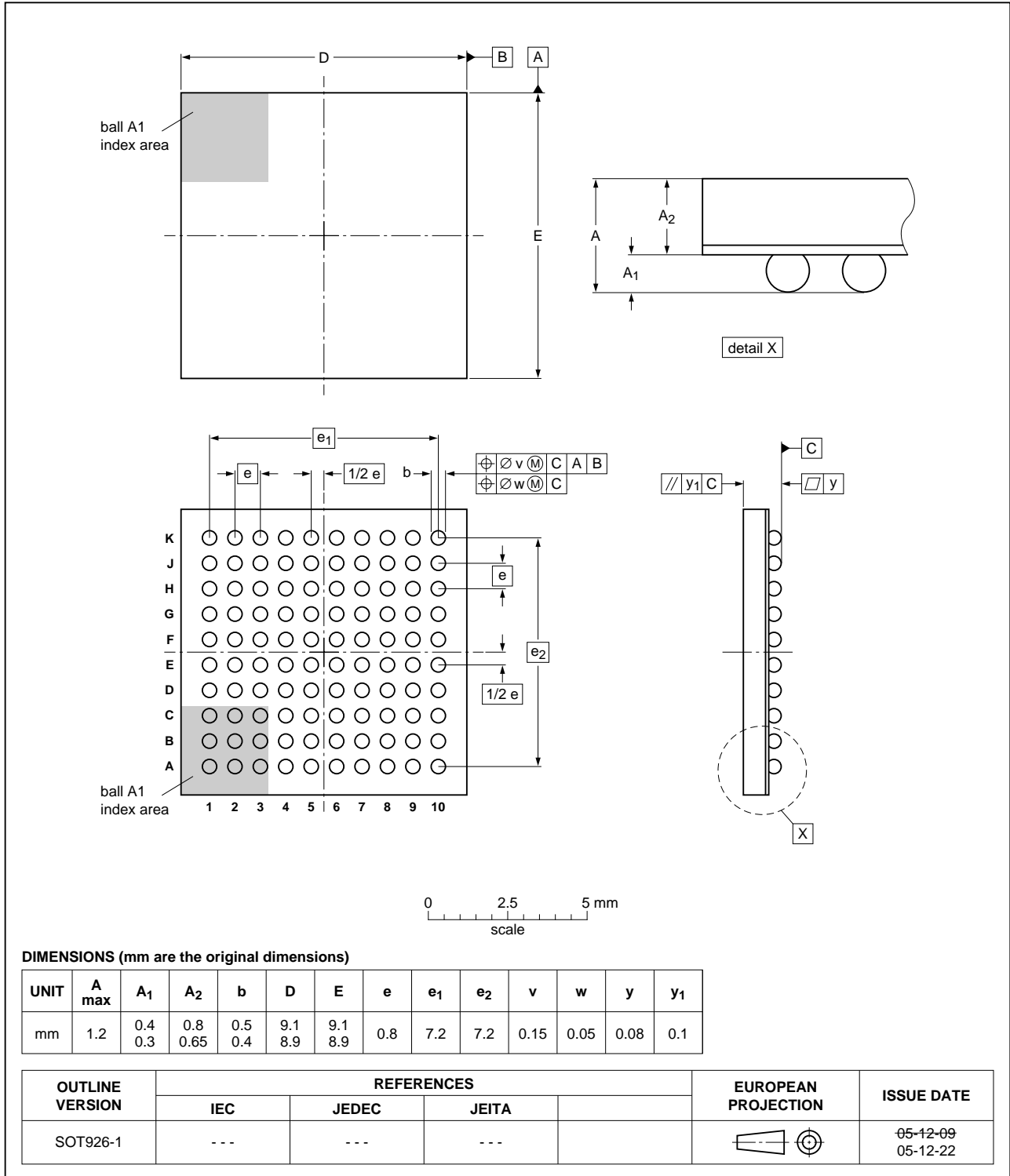


Fig 46. Package outline of the TFBGA100 package

LQFP208; plastic low profile quad flat package; 208 leads; body 28 x 28 x 1.4 mm

SOT459-1

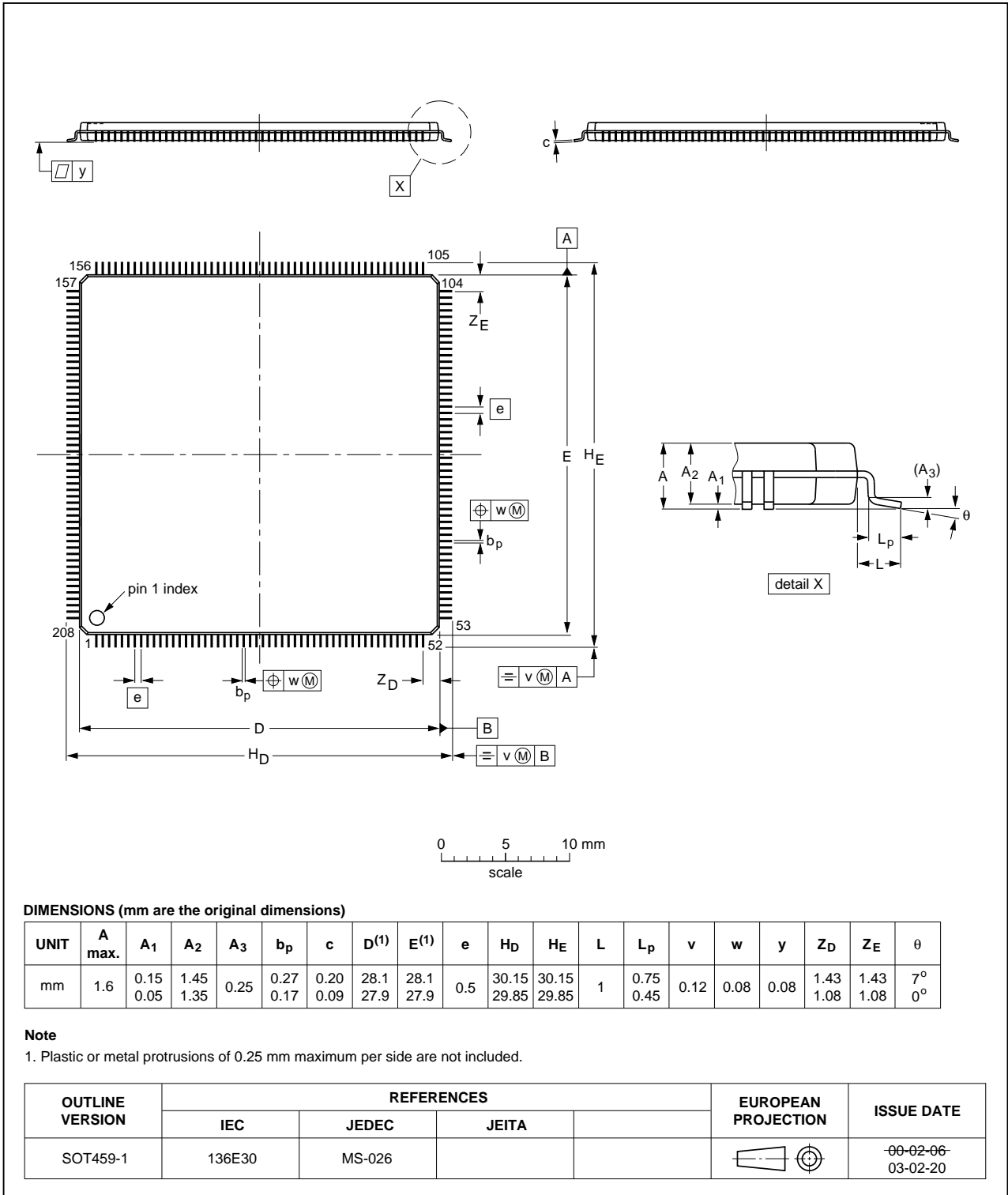


Fig 47. Package outline of the LQFP208 package

LQFP144: plastic low profile quad flat package; 144 leads; body 20 x 20 x 1.4 mm

SOT486-1

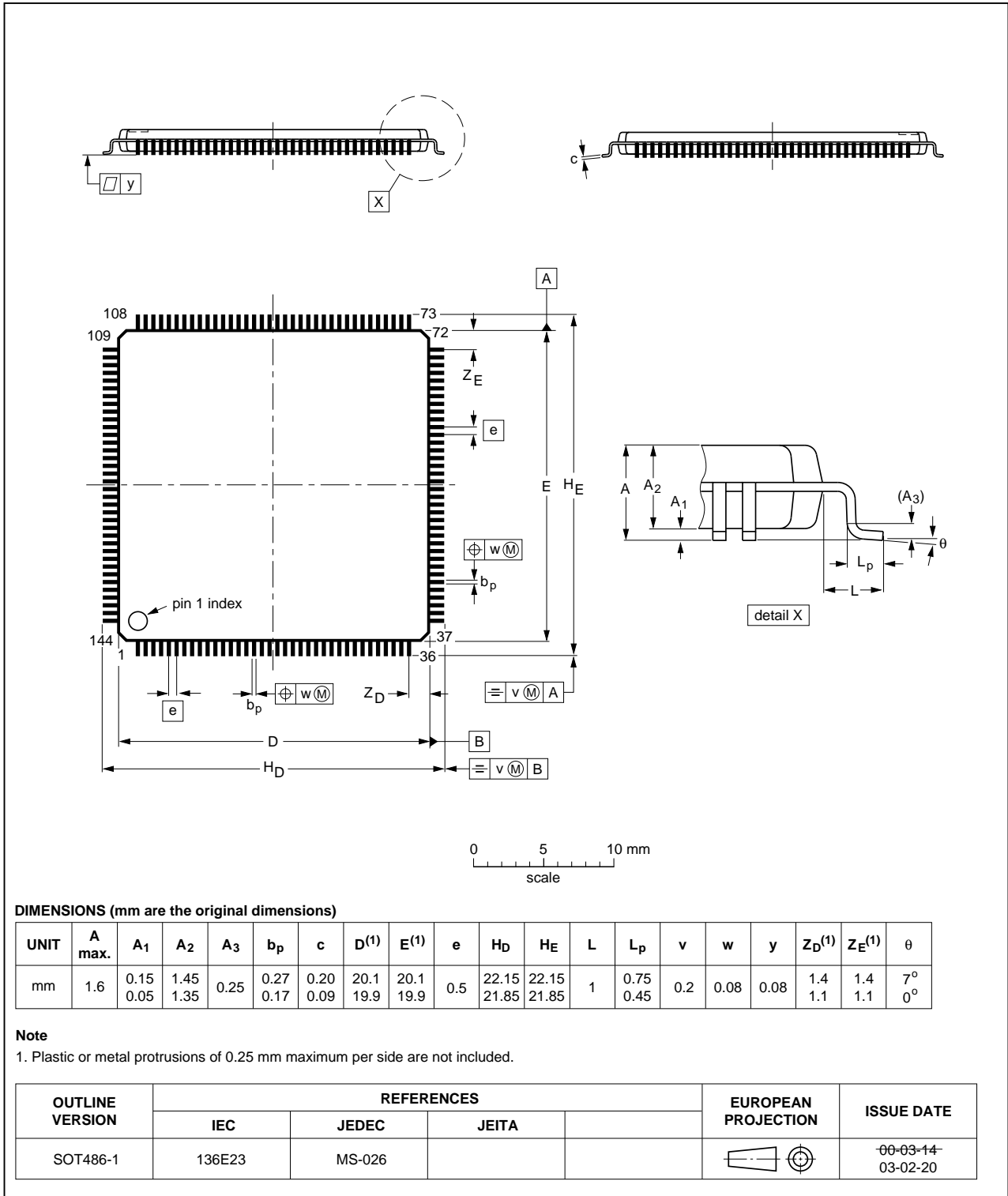


Fig 48. Package outline of the LQFP100 package

15. Soldering

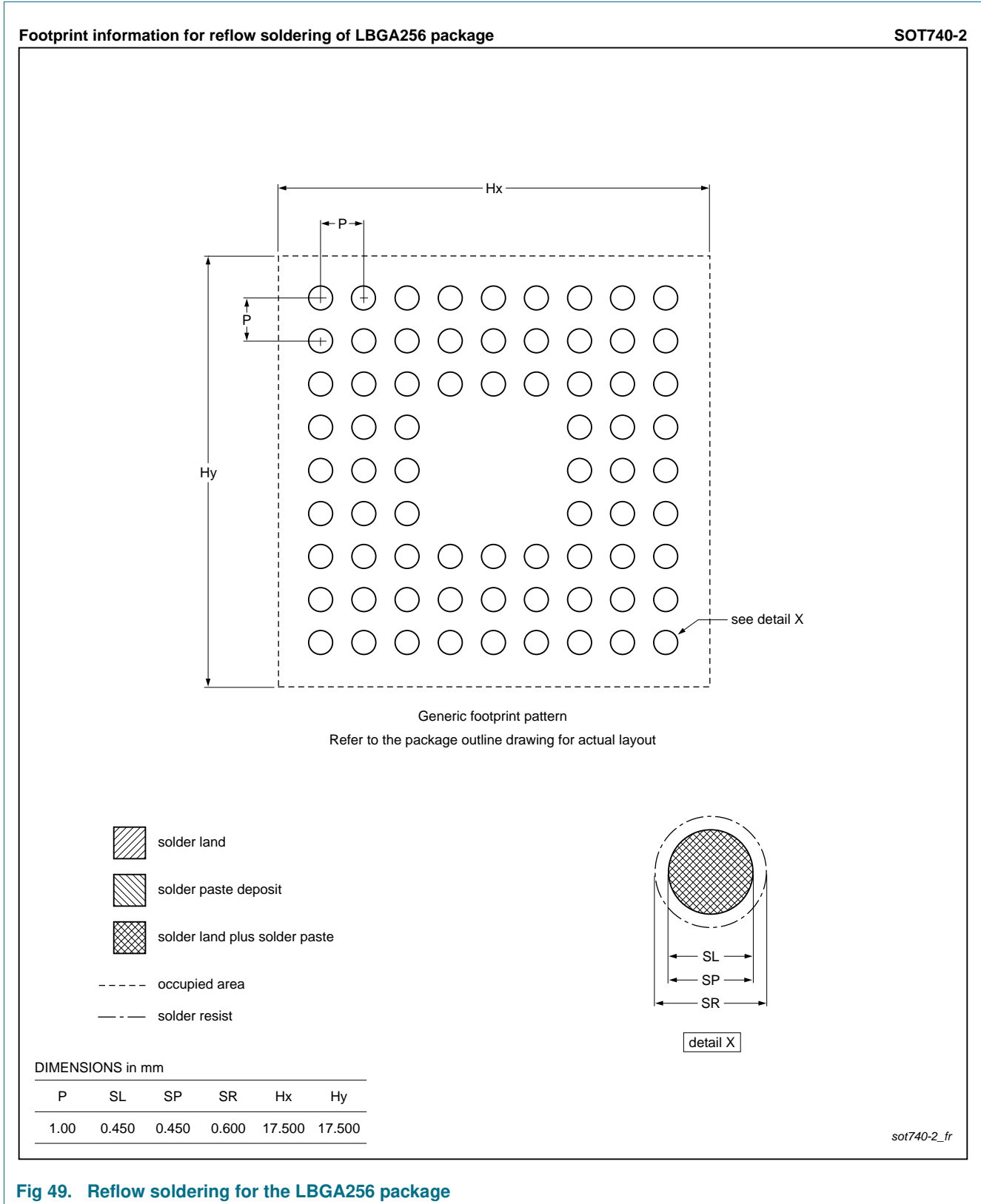
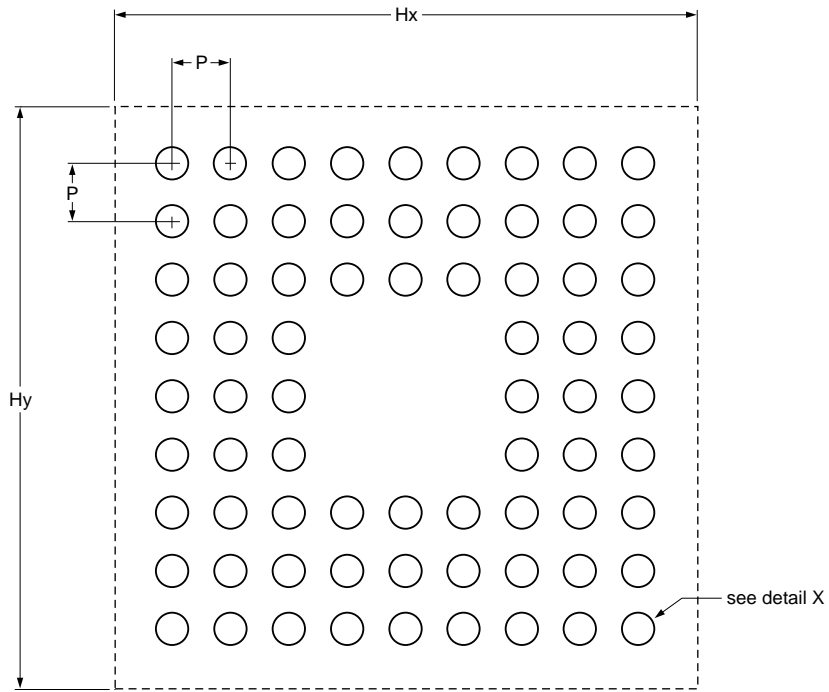





Fig 49. Reflow soldering for the LBG256 package

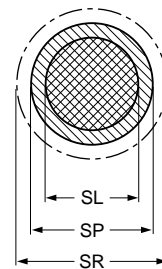
Footprint information for reflow soldering of TFBGA100 package

SOT926-1



Generic footprint pattern
Refer to the package outline drawing for actual layout

-  solder land
-  solder paste deposit
-  solder land plus solder paste
- occupied area
- solder resist



detail X

DIMENSIONS in mm

P	SL	SP	SR	Hx	Hy
0.80	0.330	0.400	0.480	9.400	9.400

sot926-1_fr

Fig 50. Reflow soldering for the TFBGA100 package

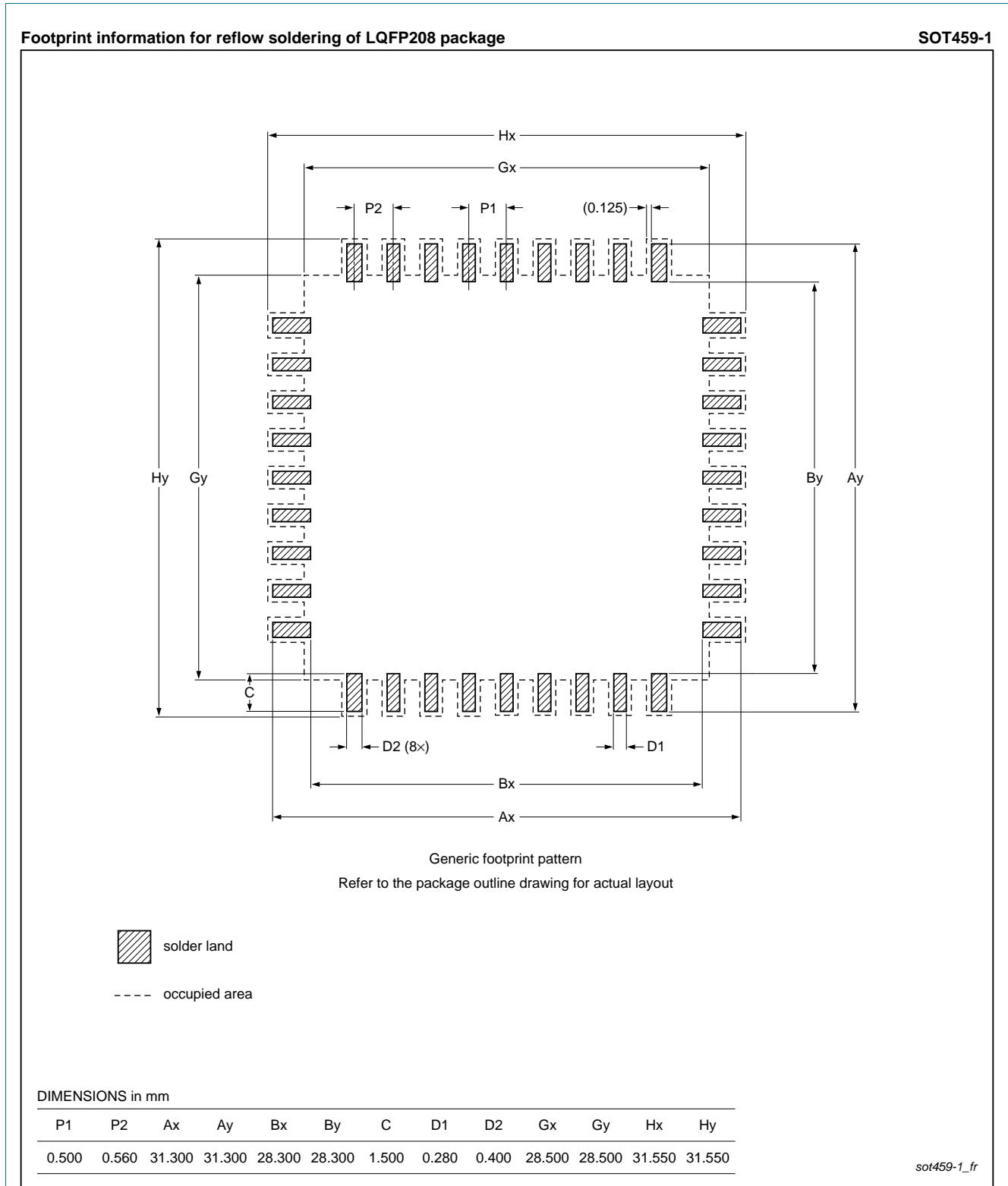


Fig 51. Reflow soldering for the LQFP208 package

16. Abbreviations

Table 42. Abbreviations

Acronym	Description
ADC	Analog-to-Digital Converter
AHB	Advanced High-performance Bus
APB	Advanced Peripheral Bus
API	Application Programming Interface
BOD	BrownOut Detection
BGA	Ball Grid Array
CAN	Controller Area Network
CMAC	Cipher-based Message Authentication Code
CSMA/CD	Carrier Sense Multiple Access with Collision Detection
DAC	Digital-to-Analog Converter
DMA	Direct Memory Access
EOP	End Of Packet
ETB	Embedded Trace Buffer
ETM	Embedded Trace Macrocell
GPIO	General-Purpose Input/Output
IRC	Internal RC
IrDA	Infrared Data Association
JTAG	Joint Test Action Group
LCD	Liquid Crystal Display
LSB	Least Significant Bit
LQFP	Low Quad Flat Package
MAC	Media Access Control
MCU	MicroController Unit
MIIM	Media Independent Interface Management
n.c.	not connected
OTG	On-The-Go
PHY	PHYSical layer
PLL	Phase-Locked Loop
PWM	Pulse Width Modulator
RMII	Reduced Media Independent Interface
SDRAM	Synchronous Dynamic Random Access Memory
SPI	Serial Peripheral Interface
SSI	Serial Synchronous Interface
SSP	Synchronous Serial Port
TCP/IP	Transmission Control Protocol/Internet Protocol
TTL	Transistor-Transistor Logic
UART	Universal Asynchronous Receiver/Transmitter
ULPI	UTMI+ Low Pin Interface

Table 42. Abbreviations ...continued

Acronym	Description
USART	Universal Synchronous Asynchronous Receiver/Transmitter
USB	Universal Serial Bus
UTMI	USB 2.0 Transceiver Macrocell Interface

17. References

- [1] ES_LPC185x/3x/2x/1x (LPC185x_3x_2x_1x errata).

18. Revision history

Table 43. Revision history

Document ID	Release date	Data sheet status	Change notice	Supersedes
LPC185X_3X_2X_1X v.4	20121031	Preliminary data sheet	-	LPC1857_53 v.3.2
Modifications:		<ul style="list-style-type: none"> Removed TFBGA180 package. Parts LPC183x, LPC182x, and LPC181x added. LQFP144 and TFBGA100 packages added. T = 105 °C data added in Figure 19 to Figure 22. Changed symbol names and parameter names in Table 21. Parameter I_{LH} updated for condition $V_I = 5\text{ V}$ and $T_{amb} = 25\text{ °C}/105\text{ °C}$ in Table 11. Power consumption data added in Section 10.1. SPIFI dynamic characteristics added in Section 11.16. IRC accuracy corrected to $\pm 2\%$ for $T_{amb} = -40\text{ °C}$ to 0 °C and $T_{amb} = 85\text{ °C}$ to 105 °C. Pull-up and Pull-down current data (Figure 23 and Figure 24) updated with data for $T_{amb} = 105\text{ °C}$. SCT dither engine added and SCT bi-directional event enable features added. See Section 7.15.1. SPIFI maximum data rate changed to 52 MB per second. Recommendation for V_{BAT} use added: The recommended operating condition for the battery supply is $V_{DD(REG)(3V3)} > V_{BAT} + 0.2\text{ V}$. See Table 11, Table note 2. Table 14 "Band gap characteristics" added. Minimum value for parameter V_{IL} changed to 0 V in Table 11 "Static characteristics". Description of ADC pins on digital/analog input pins changed. Each input to the ADC is connected to ADC0 and ADC1. See Table 3. OTP memory size change to 64 bit. Use of C_CAN peripheral restricted in Section 2. ADC channels limited to a total of 8 channels shared between ADC0 and ADC1. 		
LPC1857_53 v.3.2	20120920	Preliminary data sheet	-	LPC1857_53 v.3.1
		Position of index sector in Figure 4 "Pin configuration LQFP208 package" corrected.		
LPC1857_53 v.3.1	20120904	Preliminary data sheet	-	LPC1857_53 v.3
Modifications:		<ul style="list-style-type: none"> SSP0 boot pin functions added in Table 5 and Table 4. Pin P3_3 = SSP0_SCK, pin P3_6 = SSP0_SSEL, pin P3_7 = SSP0_MISO, pin P3_8 = SSP0_MOSI. Peripheral power consumption data added in Table 12. BOD de-assertion levels add in Table 13. Minimum value for all supply voltages changed to -0.5 V n Table 7. 		
LPC1857_53 v.3	20120711	Preliminary data sheet	-	LPC1857_53 v.2

Table 43. Revision history ...continued

Document ID	Release date	Data sheet status	Change notice	Supersedes
Modifications:		<ul style="list-style-type: none"> Data sheet status changed to preliminary. AES removed. Available on parts LPC18Sxx only. Minimum value of V_I for conditions “USB0 pins USB0_DP; USB0_DM; USB0_VBUS”, “USB0 pins USB0_ID; USB0_RREF”, and “USB1 pins USB1_DP and USB1_DM” changed to -0.3 V in Table 6. Dynamic characteristics of the SD/MMC controller updated in Table 29. Dynamic characteristics of the LCD controller updated in Table 30. Dynamic characteristics of the SSP controller updated in Table 22. Section 10.2 added. Table 8 “Thermal resistance value (BGA packages)” added. Description of pins USB1_DP and USB1_DM updated in Table 3. Editorial updates. Parameters I_{IL} and I_{IH} renamed to I_{LL} and I_{LH} in Table 9. 		
LPC1857_53 v.2	20120515	Objective data sheet	-	LPC1857_53 v.1
LPC1857_53 v.1	20111214	Objective data sheet	-	-

19. Legal information

19.1 Data sheet status

Document status ^{[1][2]}	Product status ^[3]	Definition
Objective [short] data sheet	Development	This document contains data from the objective specification for product development.
Preliminary [short] data sheet	Qualification	This document contains data from the preliminary specification.
Product [short] data sheet	Production	This document contains the product specification.

[1] Please consult the most recently issued document before initiating or completing a design.

[2] The term 'short data sheet' is explained in section "Definitions".

[3] The product status of device(s) described in this document may have changed since this document was published and may differ in case of multiple devices. The latest product status information is available on the Internet at URL <http://www.nxp.com>.

19.2 Definitions

Draft — The document is a draft version only. The content is still under internal review and subject to formal approval, which may result in modifications or additions. NXP Semiconductors does not give any representations or warranties as to the accuracy or completeness of information included herein and shall have no liability for the consequences of use of such information.

Short data sheet — A short data sheet is an extract from a full data sheet with the same product type number(s) and title. A short data sheet is intended for quick reference only and should not be relied upon to contain detailed and full information. For detailed and full information see the relevant full data sheet, which is available on request via the local NXP Semiconductors sales office. In case of any inconsistency or conflict with the short data sheet, the full data sheet shall prevail.

Product specification — The information and data provided in a Product data sheet shall define the specification of the product as agreed between NXP Semiconductors and its customer, unless NXP Semiconductors and customer have explicitly agreed otherwise in writing. In no event however, shall an agreement be valid in which the NXP Semiconductors product is deemed to offer functions and qualities beyond those described in the Product data sheet.

19.3 Disclaimers

Limited warranty and liability — Information in this document is believed to be accurate and reliable. However, NXP Semiconductors does not give any representations or warranties, expressed or implied, as to the accuracy or completeness of such information and shall have no liability for the consequences of use of such information. NXP Semiconductors takes no responsibility for the content in this document if provided by an information source outside of NXP Semiconductors.

In no event shall NXP Semiconductors be liable for any indirect, incidental, punitive, special or consequential damages (including - without limitation - lost profits, lost savings, business interruption, costs related to the removal or replacement of any products or rework charges) whether or not such damages are based on tort (including negligence), warranty, breach of contract or any other legal theory.

Notwithstanding any damages that customer might incur for any reason whatsoever, NXP Semiconductors' aggregate and cumulative liability towards customer for the products described herein shall be limited in accordance with the *Terms and conditions of commercial sale* of NXP Semiconductors.

Right to make changes — NXP Semiconductors reserves the right to make changes to information published in this document, including without limitation specifications and product descriptions, at any time and without notice. This document supersedes and replaces all information supplied prior to the publication hereof.

Suitability for use — NXP Semiconductors products are not designed, authorized or warranted to be suitable for use in life support, life-critical or safety-critical systems or equipment, nor in applications where failure or malfunction of an NXP Semiconductors product can reasonably be expected to result in personal injury, death or severe property or environmental damage. NXP Semiconductors and its suppliers accept no liability for inclusion and/or use of NXP Semiconductors products in such equipment or applications and therefore such inclusion and/or use is at the customer's own risk.

Applications — Applications that are described herein for any of these products are for illustrative purposes only. NXP Semiconductors makes no representation or warranty that such applications will be suitable for the specified use without further testing or modification.

Customers are responsible for the design and operation of their applications and products using NXP Semiconductors products, and NXP Semiconductors accepts no liability for any assistance with applications or customer product design. It is customer's sole responsibility to determine whether the NXP Semiconductors product is suitable and fit for the customer's applications and products planned, as well as for the planned application and use of customer's third party customer(s). Customers should provide appropriate design and operating safeguards to minimize the risks associated with their applications and products.

NXP Semiconductors does not accept any liability related to any default, damage, costs or problem which is based on any weakness or default in the customer's applications or products, or the application or use by customer's third party customer(s). Customer is responsible for doing all necessary testing for the customer's applications and products using NXP Semiconductors products in order to avoid a default of the applications and the products or of the application or use by customer's third party customer(s). NXP does not accept any liability in this respect.

Limiting values — Stress above one or more limiting values (as defined in the Absolute Maximum Ratings System of IEC 60134) will cause permanent damage to the device. Limiting values are stress ratings only and (proper) operation of the device at these or any other conditions above those given in the Recommended operating conditions section (if present) or the Characteristics sections of this document is not warranted. Constant or repeated exposure to limiting values will permanently and irreversibly affect the quality and reliability of the device.

Terms and conditions of commercial sale — NXP Semiconductors products are sold subject to the general terms and conditions of commercial sale, as published at <http://www.nxp.com/profile/terms>, unless otherwise agreed in a valid written individual agreement. In case an individual agreement is concluded only the terms and conditions of the respective agreement shall apply. NXP Semiconductors hereby expressly objects to applying the customer's general terms and conditions with regard to the purchase of NXP Semiconductors products by customer.

No offer to sell or license — Nothing in this document may be interpreted or construed as an offer to sell products that is open for acceptance or the grant, conveyance or implication of any license under any copyrights, patents or other industrial or intellectual property rights.

Export control — This document as well as the item(s) described herein may be subject to export control regulations. Export might require a prior authorization from competent authorities.

Non-automotive qualified products — Unless this data sheet expressly states that this specific NXP Semiconductors product is automotive qualified, the product is not suitable for automotive use. It is neither qualified nor tested in accordance with automotive testing or application requirements. NXP Semiconductors accepts no liability for inclusion and/or use of non-automotive qualified products in automotive equipment or applications.

In the event that customer uses the product for design-in and use in automotive applications to automotive specifications and standards, customer (a) shall use the product without NXP Semiconductors' warranty of the product for such automotive applications, use and specifications, and (b)

whenever customer uses the product for automotive applications beyond NXP Semiconductors' specifications such use shall be solely at customer's own risk, and (c) customer fully indemnifies NXP Semiconductors for any liability, damages or failed product claims resulting from customer design and use of the product for automotive applications beyond NXP Semiconductors' standard warranty and NXP Semiconductors' product specifications.

19.4 Trademarks

Notice: All referenced brands, product names, service names and trademarks are the property of their respective owners.

I²C-bus — logo is a trademark of NXP B.V.

20. Contact information

For more information, please visit: <http://www.nxp.com>

For sales office addresses, please send an email to: salesaddresses@nxp.com

21. Contents

1	General description	1	7.15.9.1	Features	73
2	Features and benefits	1	7.16	Digital serial peripherals	73
3	Applications	3	7.16.1	UART	73
4	Ordering information	4	7.16.1.1	Features	74
4.1	Ordering options	5	7.16.2	USART	74
5	Block diagram	6	7.16.2.1	Features	74
6	Pinning information	7	7.16.3	SSP serial I/O controller	74
6.1	Pinning	7	7.16.3.1	Features	75
6.2	Pin description	7	7.16.4	I ² C-bus interface	75
7	Functional description	60	7.16.4.1	Features	75
7.1	Architectural overview	60	7.16.5	I ² S interface	75
7.2	ARM Cortex-M3 processor	60	7.16.5.1	Features	76
7.3	System Tick timer (SysTick)	60	7.16.6	C_CAN	76
7.4	AHB multilayer matrix	61	7.16.6.1	Features	76
7.5	Nested Vectored Interrupt Controller (NVIC)	61	7.17	Counter/timers and motor control	77
7.5.1	Features	61	7.17.1	General purpose 32-bit timers/external event counter	77
7.5.2	Interrupt sources	62	7.17.1.1	Features	77
7.6	Event router	62	7.17.2	Motor control PWM	77
7.7	Global Input Multiplexer Array (GIMA)	62	7.17.3	Quadrature Encoder Interface (QEI)	77
7.7.1	Features	62	7.17.3.1	Features	77
7.8	On-chip static RAM	62	7.17.4	Repetitive Interrupt (RI) timer	78
7.9	On-chip flash memory	63	7.17.4.1	Features	78
7.10	EEPROM	63	7.17.5	Windowed WatchDog Timer (WWDT)	78
7.11	Boot ROM	63	7.17.5.1	Features	78
7.12	Memory mapping	65	7.18	Analog peripherals	79
7.13	One-Time Programmable (OTP) memory	67	7.18.1	Analog-to-Digital Converter	79
7.14	General-Purpose I/O (GPIO)	67	7.18.1.1	Features	79
7.14.1	Features	67	7.18.2	Digital-to-Analog Converter (DAC)	79
7.15	AHB peripherals	67	7.18.2.1	Features	79
7.15.1	State Configurable Timer (SCT) subsystem	67	7.19	Peripherals in the RTC power domain	79
7.15.1.1	Features	68	7.19.1	RTC	79
7.15.2	General-Purpose DMA	68	7.19.1.1	Features	79
7.15.2.1	Features	68	7.19.2	Event monitor/recorder	80
7.15.3	SPI Flash Interface (SPIFI)	69	7.19.2.1	Features	80
7.15.3.1	Features	69	7.19.3	Alarm timer	80
7.15.4	SD/MMC card interface	70	7.20	System control	80
7.15.5	External Memory Controller (EMC)	70	7.20.1	Configuration registers (CREG)	80
7.15.5.1	Features	70	7.20.2	System Control Unit (SCU)	81
7.15.6	High-speed USB Host/Device/OTG interface (USB0)	71	7.20.3	Clock Generation Unit (CGU)	81
7.15.6.1	Features	71	7.20.4	Internal RC oscillator (IRC)	81
7.15.7	High-speed USB Host/Device interface with ULPI (USB1)	72	7.20.5	PLL0USB (for USB0)	81
7.15.7.1	Features	72	7.20.6	PLL0AUDIO (for audio)	81
7.15.8	LCD controller	72	7.20.7	System PLL1	82
7.15.8.1	Features	72	7.20.8	Reset Generation Unit (RGU)	82
7.15.9	Ethernet	73	7.20.9	Power control	82
			7.20.10	Code security (Code Read Protection - CRP)	83
			7.21	Emulation and debugging	84

continued >>

8	Limiting values	85
9	Thermal characteristics	86
10	Static characteristics	87
10.1	Power consumption	94
10.2	Peripheral power consumption	97
10.3	Electrical pin characteristics	99
10.4	BOD and band gap static characteristics	103
11	Dynamic characteristics	104
11.1	Flash/EEPROM memory	104
11.2	Wake-up times	105
11.3	External clock for oscillator in slave mode	105
11.4	Crystal oscillator	106
11.5	IRC oscillator	106
11.6	RTC oscillator	106
11.7	I ² C-bus	107
11.8	I ² S-bus interface	108
11.9	USART interface	109
11.10	SSP interface	110
11.11	External memory interface	113
11.12	USB interface	118
11.13	Ethernet	120
11.14	SD/MMC	121
11.15	LCD	121
11.16	SPIFI	122
12	ADC/DAC electrical characteristics	123
13	Application information	126
13.1	LCD panel signal usage	126
13.2	Crystal oscillator	128
13.3	RTC oscillator	130
13.4	XTAL and RTCX Printed Circuit Board (PCB) layout guidelines	130
13.5	Standard I/O pin configuration	130
13.6	Reset pin configuration	131
14	Package outline	132
15	Soldering	136
16	Abbreviations	140
17	References	141
18	Revision history	142
19	Legal information	144
19.1	Data sheet status	144
19.2	Definitions	144
19.3	Disclaimers	144
19.4	Trademarks	145
20	Contact information	145
21	Contents	146

Please be aware that important notices concerning this document and the product(s) described herein, have been included in section 'Legal information'.

© NXP B.V. 2012.

All rights reserved.

For more information, please visit: <http://www.nxp.com>

For sales office addresses, please send an email to: salesaddresses@nxp.com

Date of release: 31 October 2012

Document identifier: LPC185X_3X_2X_1X