



SANYO Semiconductors

DATA SHEET

An ON Semiconductor Company

LV5856MX — Bi-CMOS IC Step-down Switching Regulator

Overview

LV5856MX is a 1ch step-down switching regulator. With built-in two 0.13Ω power MOSFET switch, it achieves high output current and high efficiency. With low-heat resistance, miniature package MFP8 (200mil) with heat-sink is adopted. Since it is Current mode control type, it has good load current response, and phase compensation is easy. With ON/OFF pin, operating can be less than 60μA at stand-by mode. It has cycle-by-cycle over current protection for load devices. With external capacitor, it achieves soft start.

Functions

- 3A 1ch step-down
- Small package: MFP8 (200mil) with heat sink
- High efficiency (93% $I_{OUT} = 1A$, $V_{IN} = 12V$, $V_O = 5V$)
- Standby mode
- Over-current protection(HICCUP)
- Thermal shutdown protection
- Reference voltage: 0.923V
- Fixed frequency: 340kHz
- Soft start / Soft stop

Specifications

Maximum Ratings at $T_a = 25^\circ\text{C}$

Parameter	Symbol	Conditions	Ratings	Unit
Maximum input V_{IN} voltage	$V_{IN\ max}$		20	V
BOOT pin maximum voltage	$V_{BT\ max}$		25	V
SW pin maximum voltage	$V_{SW\ max}$		$V_{IN\ max}$	V
BOOT pin-SW pin maximum voltage	$V_{BS-SW\ max}$		7	V
EN Maximum Voltage	$V_{EN\ max}$		20	V
FB, COMP, SS pin maximum voltage	$V_{fs\ max}$		7	V
Allowable power dissipation	$P_d\ max$	Mount on a specified board *	2.05	W
Junction temperature	$T_j\ max$		150	$^\circ\text{C}$
Operating temperature	T_{opr}		-20 to 80	$^\circ\text{C}$
Storage temperature	T_{stg}		-40 to 150	$^\circ\text{C}$

Specified substrate : 46.0mm x 32.0mm x 1.6mm glass epoxy substrate.

Note: Plan the maximum voltage while including coil and surge voltages, so that the maximum voltage is not exceeded even for an instant.

- Any and all SANYO Semiconductor Co.,Ltd. products described or contained herein are, with regard to "standard application", intended for the use as general electronics equipment (home appliances, AV equipment, communication device, office equipment, industrial equipment etc.). The products mentioned herein shall not be intended for use for any "special application" (medical equipment whose purpose is to sustain life, aerospace instrument, nuclear control device, burning appliances, transportation machine, traffic signal system, safety equipment etc.) that shall require extremely high level of reliability and can directly threaten human lives in case of failure or malfunction of the product or may cause harm to human bodies, nor shall they grant any guarantee thereof. If you should intend to use our products for applications outside the standard applications of our customer who is considering such use and/or outside the scope of our intended standard applications, please consult with us prior to the intended use. If there is no consultation or inquiry before the intended use, our customer shall be solely responsible for the use.
- Specifications of any and all SANYO Semiconductor Co.,Ltd. products described or contained herein stipulate the performance, characteristics, and functions of the described products in the independent state, and are not guarantees of the performance, characteristics, and functions of the described products as mounted in the customer's products or equipment. To verify symptoms and states that cannot be evaluated in an independent device, the customer should always evaluate and test devices mounted in the customer's products or equipment.

LV5856MX

Recommended Operating Conditions at Ta = 25°C

Parameter	Symbol	Conditions	Ratings	Unit
V _{IN} pin voltage	V _{IN}		8 to 18	V
BOOT pin voltage	V _{BT}		-0.3 to 23	V
SW pin voltage	V _{SW}		-0.4 to V _{IN}	V
BOOT pin-SW pin voltage	V _{BS-SW}		6.5	V
EN voltage	V _{EN}		18	V
FB, COMP, SS pin voltage	V _{FSO}		6	V

Electrical Characteristics at Ta = 25°C, V_{IN} = 12V, unless otherwise specified.

Parameter	Symbol	Conditions	Ratings			Unit
			min	typ	max	
IC current drain at standby	I _{CC1}	EN=0V		60		μA
IC current drain in operation	I _{CC2}	EN=5V, FB=1V		2.5		mA
Efficiency	Effcy	V _{IN} =12V, I _{OUT} =1A, V _o =5V, Design target *2		93		%
Reference voltage	V _{ref}	V _{IN} =8V to 28V (±2%)	-2%	0.923	+2%	V
FB pin bias current	I _{ref}	FB=0.923V		10	100	nA
High-side ON resistance	R _{onH}	BOOT=5V, I _{OUT} =1A		0.13		Ω
Low-side ON resistance	R _{onL}			0.13		Ω
Oscillation frequency	f _{OSC}			340		kHz
Oscillation frequency during short-circuit protection	f _{OSCS}			100		kHz
EN high-threshold voltage	V _{enth}			1.5		V
Maximum ON DUTY	D max		80			%
Minimum ON DUTY	D min				8	%
SW Peak Current limit	I _{cl1}	V _{IN} =12V, V _{OUT} =5V, L=10μH	4			A
Thermal shutdown temperature	T _{tsd}	*Design guarantee *3		160		°C
Thermal shutdown temperature hysteresis	D _{tsd}	*Design guarantee *3		40		°C
Soft start current	I _{SS}	SS=0V		6		μA
Discharge On-Resistance	V _{SWON}			35		Ω
V _{IN} UVLO lock voltage	V _{UVLO^L}			6.0		V
V _{IN} UVLO lock release voltage	V _{UVLO^H}			6.9		V

*2: Reference value (not tested before shipment)

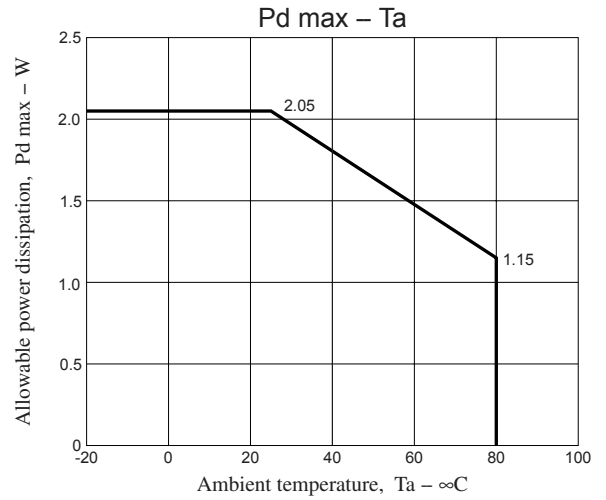
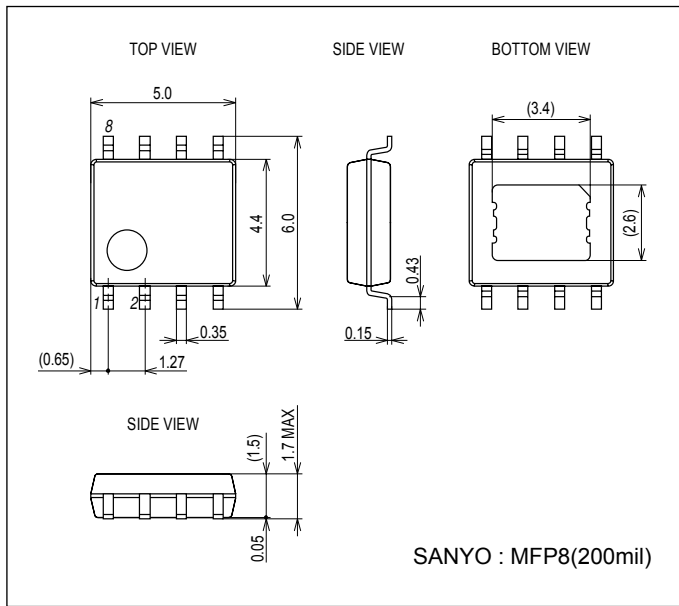
*3: Design guarantee (value guaranteed by design and not tested before shipment)

LV5856MX

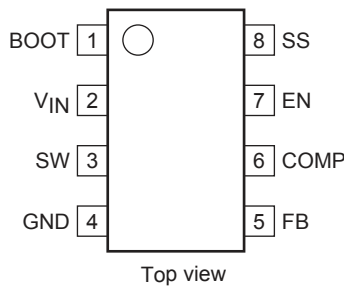
Package Dimensions

unit : mm (typ)

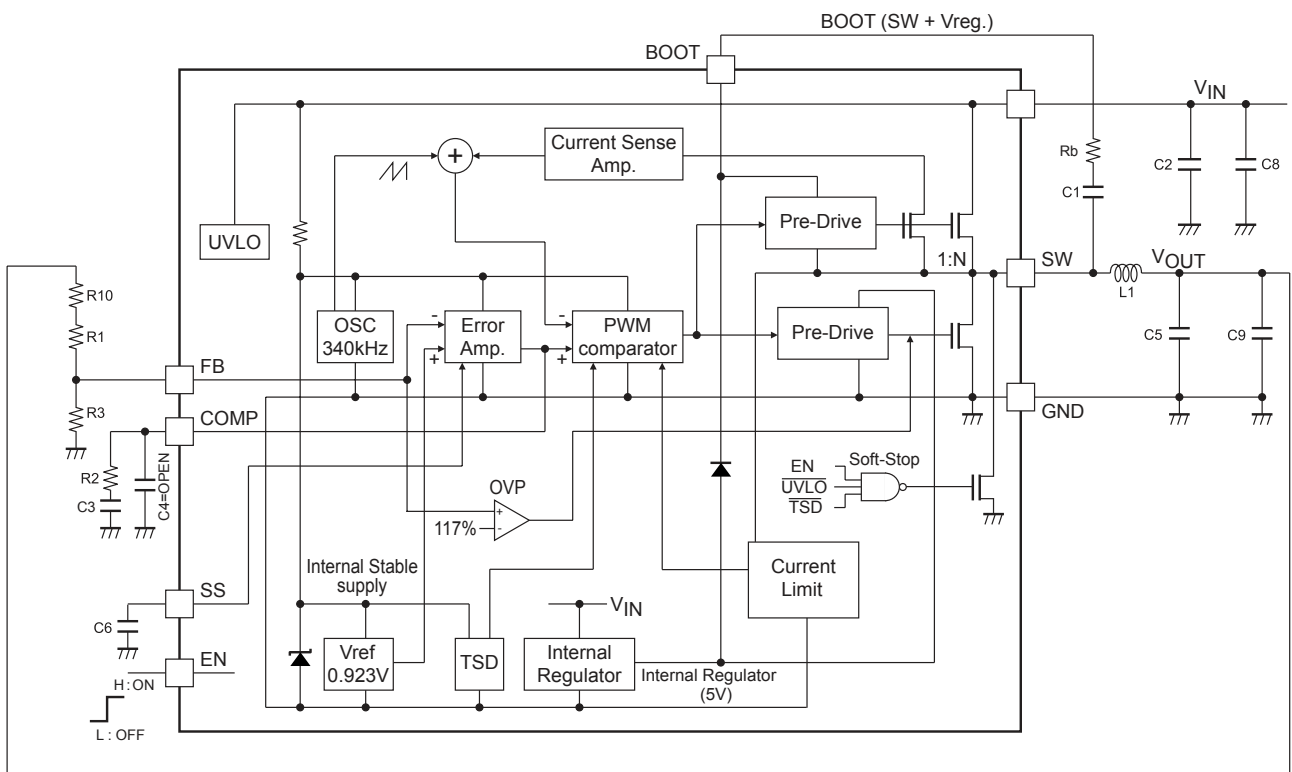
3372



Pin Assignment



Block Diagram and Sample Application Circuit



C1,C2,C5,C8,C9=Ceramic capacitor

LV5856MX

Pin Function

Pin No.	Pin name	Function	Equivalent circuit
1	BOOT	Upper MOS transistor boot strap capacitance connection pin. Connect the boot capacitance of about 0.1uF between SW pins. To protect the SW pin's absolute maximum rating , to ensure stable operation, and to eliminate noise , the boot capacitance serial resistance (about 15Ω) Rb proves effective.	
2	VIN	Input Voltage Pin. Connect substantially large (10uF 2 parallel or more) capacitance between this pin and GND.	
3	SW	Power Switch pin. Connect the output LC filter. Connect the above capacitance between this pin and BOOT pin. The discharge transistor for a Soft-Stop is connected with this terminal (typcal 35Ω). It turns it on by either EN=L, UVLO or a thermal shutdown.	
4	GND	Ground pin.	
5	FB	Feedback pin. Set the output voltage by means of split resistor in the section of the output voltage VOUT-FB-GND. VOUT setting is made as calculated below. $V_{OUT} = V_{ref} \times \left\{ 1 + \frac{(R1 + R10)}{R3} \right\}$ $V_{ref} = 0.923V$ Example: 3.3V output voltage (See, Block Diagram and Application example) $V_{OUT} = 0.923 \times \left\{ 1 + \frac{(22k + 3.9k)}{10k} \right\}$ $= 3.314V$	
8	SS	Soft start pin. Sets the soft start time by means of the built-in 6μA source voltage and external soft start capacity. The soft start capacity C6 can be set as follows: $C6 = 6\mu A \times \frac{T_{ss}}{V_{ref}}$ Where, Tss is the soft start time and Vref is the reference voltage. Example: 2.3ms soft start time achieved $C6 = 6\mu A \times \frac{2.3ms}{0.923V} = 0.015\mu F$	
6	COMP	Phase compensation pin. Connects with the phase compensation external capacitance and resistance of DC/DC converter close loop.	
7	EN	Enable pin. Converter enabled when set to the HIGH voltage and disabled when LOW voltage or OPEN state.	

- SANYO Semiconductor Co.,Ltd. assumes no responsibility for equipment failures that result from using products at values that exceed, even momentarily, rated values (such as maximum ratings, operating condition ranges, or other parameters) listed in products specifications of any and all SANYO Semiconductor Co.,Ltd. products described or contained herein.
- SANYO Semiconductor Co.,Ltd. strives to supply high-quality high-reliability products, however, any and all semiconductor products fail or malfunction with some probability. It is possible that these probabilistic failures or malfunction could give rise to accidents or events that could endanger human lives, trouble that could give rise to smoke or fire, or accidents that could cause damage to other property. When designing equipment, adopt safety measures so that these kinds of accidents or events cannot occur. Such measures include but are not limited to protective circuits and error prevention circuits for safe design, redundant design, and structural design.
- In the event that any or all SANYO Semiconductor Co.,Ltd. products described or contained herein are controlled under any of applicable local export control laws and regulations, such products may require the export license from the authorities concerned in accordance with the above law.
- No part of this publication may be reproduced or transmitted in any form or by any means, electronic or mechanical, including photocopying and recording, or any information storage or retrieval system, or otherwise, without the prior written consent of SANYO Semiconductor Co.,Ltd.
- Any and all information described or contained herein are subject to change without notice due to product/technology improvement, etc. When designing equipment, refer to the "Delivery Specification" for the SANYO Semiconductor Co.,Ltd. product that you intend to use.
- Information (including circuit diagrams and circuit parameters) herein is for example only; it is not guaranteed for volume production.
- Upon using the technical information or products described herein, neither warranty nor license shall be granted with regard to intellectual property rights or any other rights of SANYO Semiconductor Co.,Ltd. or any third party. SANYO Semiconductor Co.,Ltd. shall not be liable for any claim or suits with regard to a third party's intellectual property rights which has resulted from the use of the technical information and products mentioned above.

This catalog provides information as of January, 2010. Specifications and information herein are subject to change without notice.