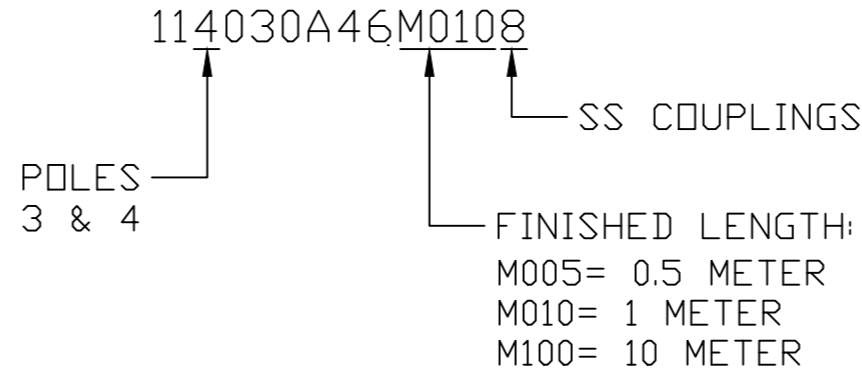
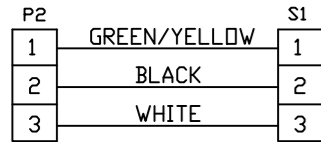


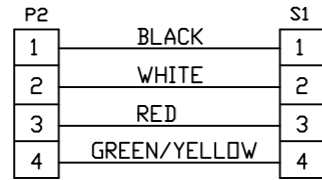
### PART NUMBER LEGEND



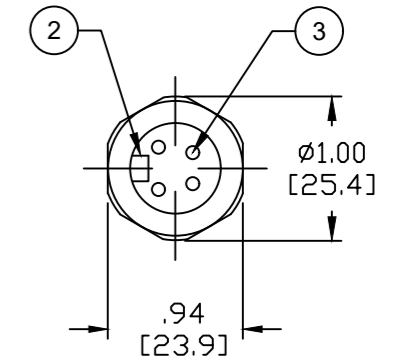
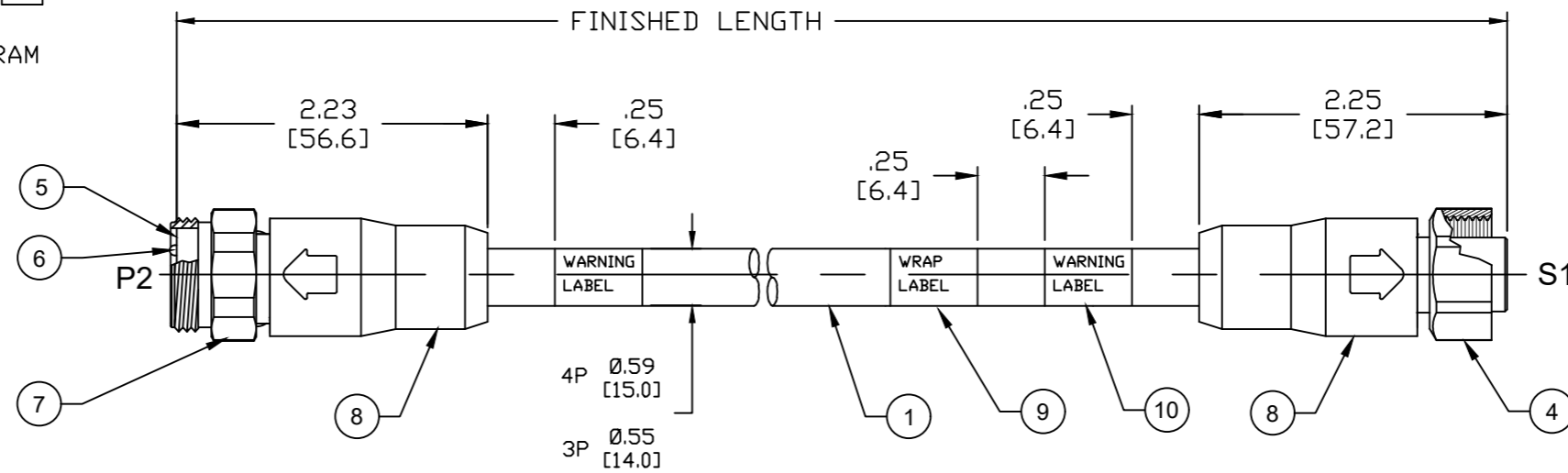
CABLE LENGTH TOLERANCES	
<.3M [1FT]:	+19mm-0 [+ .75in-0]
.3 - .9M [1 - 3FT]:	+44.5mm-0 [+1.75in-0]
.9 - 1.8M [3 - 6FT]:	+55.6mm-0 [+2.19in-0]
1.8 - 3.7M [6 - 12FT]:	+88.9mm-0 [+3.50in-0]
3.7 - 7.3M [12 - 24FT]:	+165.1mm-0 [+6.50in-0]
7.3-14.6M [24 - 48FT]:	+317.5mm-0 [+12.50in-0]
14.6 - 30.5M [48-100FT]:	+622.3mm-0 [+24.50in-0]
OVER 30M [100FT]:	+2% OF FINISHED LENGTH



3P WIRING DIAGRAM



4P WIRING DIAGRAM



HEX TYP. BOTH ENDS

- NOTES:
1. MATERIAL: AS NOTED
  2. FINISH: AS NOTED
  3. ELECTRICAL:  
 VOLTAGE: 3P: 500V PER IEC60664  
 4P: 483V PER IEC60664  
 600V PER UL2237  
 CURRENT: 15A
  4. TEMP RATING: -20°TO +90°C
  5. PROTECTION: IP67 (WHEN MATED)
  6. COUPLING THREAD: 7/8-16UN
  7. UL LISTED FILE: E258922
  8. ALL DIMS ARE FOR REFERENCE UNLESS TOLERANCED OR NOTED OTHERWISE

ITEM	DESCRIPTION	MATERIAL	FINISH
10	WARNING LABEL	VINYL	ORANGE/BLACK
9	WRAP LABEL	VINYL	BLACK/YELLOW
8	OVERMOLDS	TPE	GRAY
7	COUPLING, MALE	ST-STEEL	PASSIVATED
6	CONTACT PIN	COPPER ALLOY	GOLD PLATED
5	MALE INSERT (A-SIZE)	TPE	BLACK
4	COUPLING, FEMALE	ST-STEEL	PASSIVATED
3	CONTACT SOCKET	COPPER ALLOY	GOLD PLATED
2	FEMALE INSERT (A-SIZE)	TPE	BLACK
1	CABLE, 14/4, 90°C, 600V	PVC JACKET	GRAY

PART NO.	ENGINEERING NO.	FINISHED LENGTH
1300620121	114030A46M0108	1.0M (3 FT 3IN)
1300620126	114030A46M0308	3.0M (6 FT 7IN)
1300620234	113030A46M1008	10.0M (32 FT 10IN)

FUNCTIONAL SYMBOLS	THIS DRAWING CONTAINS INFORMATION THAT IS PROPRIETARY TO MOLEX ELECTRONIC TECHNOLOGIES, LLC AND SHOULD NOT BE USED WITHOUT WRITTEN PERMISSION		CURRENT REV DESC: UPDATE PER LATEST DOC STD. BORDER, NOTES, O-MOLD AND INSERTS WERE PVC ADD WIRING DIAGRAM	
	DIMENSION UNITS	SCALE	EC NO: 648067	
DIVISIONAL SYMBOLS	INCH/MM	1:1	DRWN: RSTONE	2020/10/28
	GENERAL TOLERANCES (UNLESS SPECIFIED)		CHK'D: MZIELINSKI	2020/10/29
DIVISIONAL SYMBOLS	4 PLACES	±----	APPR: BWOODMAN	2020/10/30
	3 PLACES	±----	INITIAL REVISION:	
DIVISIONAL SYMBOLS	2 PLACES	±----	DRWN: RSTONE	2017/09/12
	1 PLACE	±----	APPR: BWOODMAN	2017/10/04
DIVISIONAL SYMBOLS	0 PLACES	±----	DOCUMENT NUMBER	
	ANGULAR TOL ± ---- °		SD-130062-041	
DIVISIONAL SYMBOLS	DRAFT WHERE APPLICABLE MUST REMAIN WITHIN DIMENSIONS	THIRD ANGLE PROJECTION	DRAWING	SHEET NUMBER
			B-SIZE	130062
MATERIAL NUMBER		CUSTOMER	SHEET NUMBER	
SEE P/N NO CHART		GENERAL MARKET	1 OF 1	