

# B Series

**General Purpose RFI Power Line Filters**  
**General Purpose for High Impedance**  
**Loads at Low Cost**

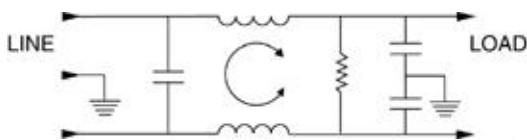


**UL Recognized**  
**CSA Certified**  
**VDE Approved**  
**SEV Approved\***

## B Series

The B series RFI power line filters are general purpose common-mode filters effectively providing RFI control of line-to-ground noise in a small size at low cost. These filters are designed to meet a wide variety of electronic and electrical applications and are available in a broad selection of current ratings and termination styles. The EB models meet the very low leakage current requirements of SEV, VDE portable equipment, and (120 Volt) UL544 nonpatient medical equipment.

## Electrical Schematic



Resistor location for reference only.



## Specifications

	VB Models	EB Models
Maximum leakage current, each line-to-ground		
@ 120 VAC 60 Hz:	.4 mA	.21 mA
@ 250 VAC 50 Hz:	.7 mA	.36 mA
Hipot rating (one minute):		
line-to-ground		2250 VDC
line-to-line		1450 VDC
Operating frequency:		50/60 Hz
Rated voltage:		120/250 VAC
Rated current:	<b>@ 120 VAC</b>	<b>@ 250 VAC</b>
1VB/1EB	1A	1A
2VB/2EB	2A	2A
3VB/3EB	3A	3A
5VB/5EB	5A	5A
10VB/10EB	10A	8A
10VB6	10A	8A
20VB/20EB	20A	16A
30VB6	30A	25A

### Minimum insertion loss in dB:

Line-to-ground in 50 ohm circuit

Current Rating	Frequency-MHz					
	.15	.5	1	5	10	30
<b>VB Models</b>						
1A, 3A	15	30	38	50	50	50
2A, 5A, 10A, 20A, 30A	7	20	25	40	45	48
<b>EB Models</b>						
1A, 3A	15	29	35	45	45	48
2A, 5A, 10A, 20A	7	19	23	34	37	42

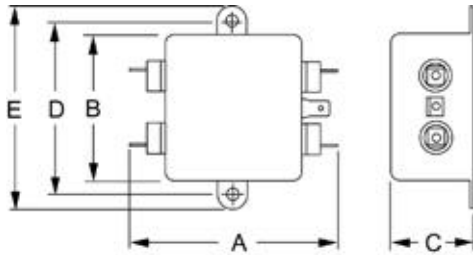
\*EB models only.

# Series B

## Case Styles

Metric shown in italics.

### B1

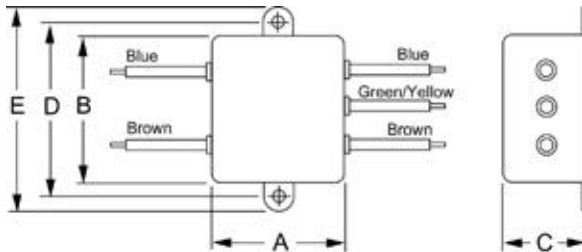


Typical dimensions

Terminals:  $\frac{.250}{6.35}$  (5) Holes:  $\frac{.07}{1.8}$  Dia.(4) Slot:  $\frac{.07 \times .16}{1.8 \times 4.1}$

Mounting holes:  $\frac{.188}{4.78}$  Dia.(2)

### B3

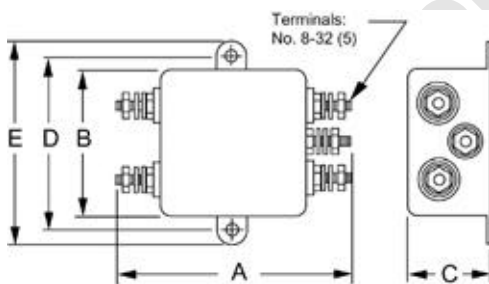


Typical dimensions

Wire leads:  $\frac{4.0}{101.6}$  Min.

Mounting holes:  $\frac{.188}{4.78}$  Dia. (2)

### 10VB6 & 20VB6

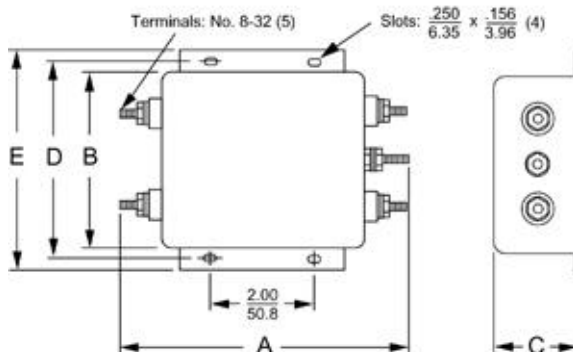


Typical dimensions

Mounting holes:  $\frac{.188}{4.78}$  Dia. (2)

Torque 18± 2 in.lb.

### 30VB6



## Case Dimensions

Metric shown in italics.

Part No.	A (max)	B (max)	C (max)	D $\pm .015$ $\pm .38$	E (max)
1VB1, 1EB1	2.25	1.82	0.66	2.125	2.53
2VB1, 2EB1	57.2	46.2	16.8	53.98	64.3
1VB3, 1EB3	0.96	1.82	0.66	2.125	2.53
2VB3, 2EB3	24.4	46.2	16.8	53.98	64.3
3VB1, 3EB1	2.61	1.82	0.78	2.125	2.53
5VB1, 5EB1	66.3	46.2	19.8	53.98	64.3
3VB3, 3EB3	1.32	1.82	0.78	2.125	2.53
5VB3, 5EB3	33.5	46.2	19.8	53.98	64.3
10VB1, 10EB1	2.61	1.82	1.16	2.125	2.53
	66.3	46.2	29.5	53.98	64.3
10VB3, 10EB3	1.32	1.82	1.16	2.125	2.53
	33.5	46.2	29.5	53.98	64.3
10VB6	2.72	1.82	1.16	2.125	2.53
	69.1	46.2	29.5	53.98	64.3
20VB1, 20EB1	3.36	2.07	1.16	2.375	2.81
	85.3	52.6	29.5	60.33	71.4
20VB6	3.46	2.07	1.16	2.375	2.81
	87.9	52.6	29.5	60.33	71.4
30VB6	5.34	3.38	1.53	3.750	4.2
	135.6	85.9	38.9	95.3	106.7

## Pricing

Consult your local Corcom sales representative for pricing.

Part No.	Part No.
1VB1	1EB1
1VB3	1EB3
2VB1	2EB1
2VB3	2EB3
3VB1	3EB1
3VB3	3EB3
5VB1	5EB1
5VB3	5EB3
10VB1	10EB1
10VB3	10EB3
10VB6	20EB1
20VB1	
20VB6	
30VB6	