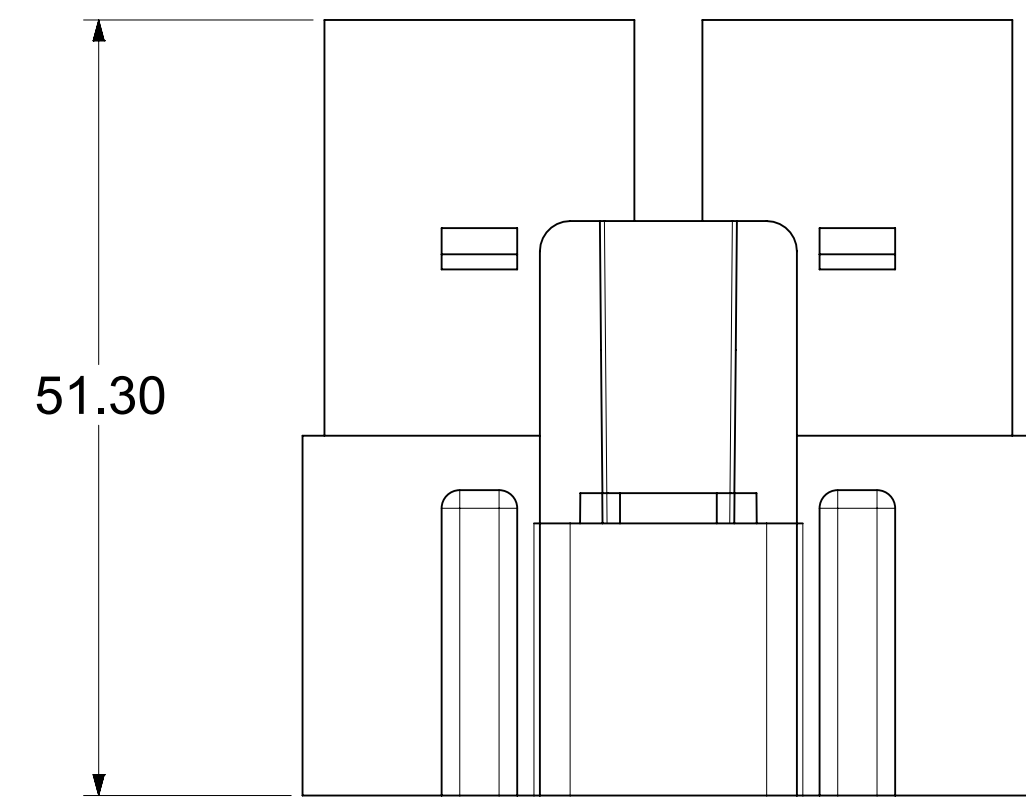
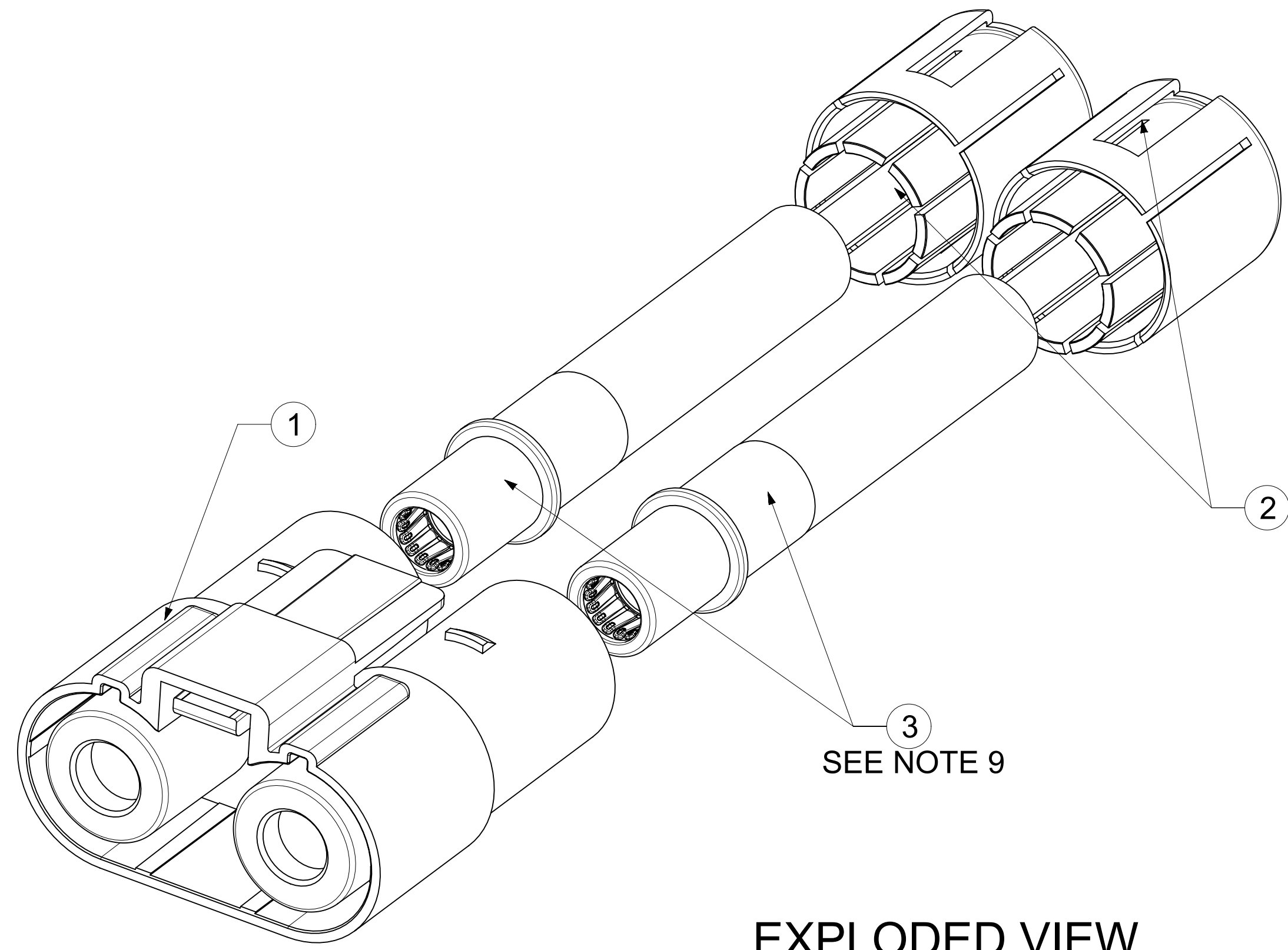
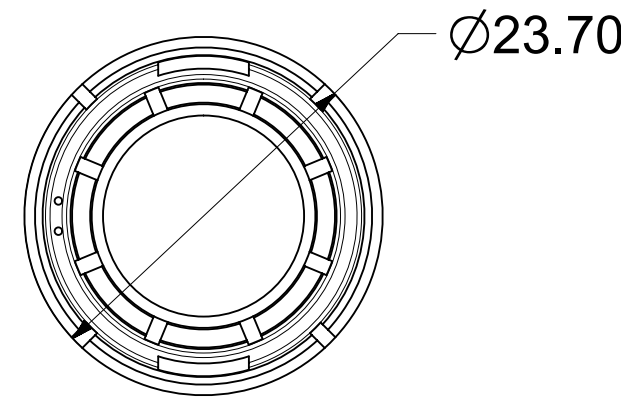
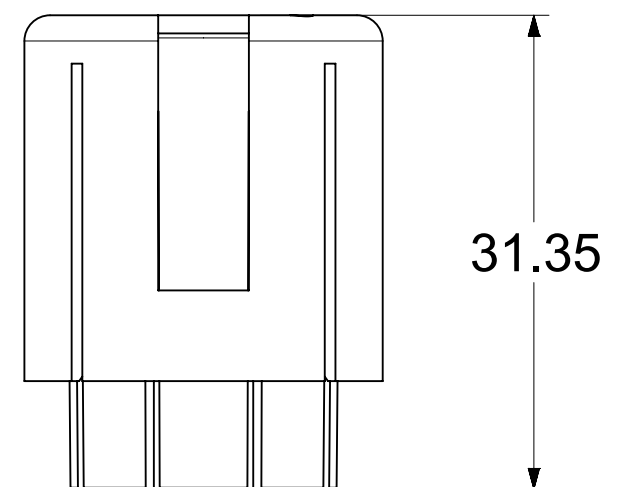


ITEM NO	P/N	DESCRIPTION	QTY	PK SPEC
1	2046010001	CST 8mm 2 POS HOUSING	1	2046010001-PK
2	2046030001	1/0 CABLE RETAINER	2	2046030001-PK
3	2046080001	8MM CST CRIMPED FEMALE	2	2046080001-PK

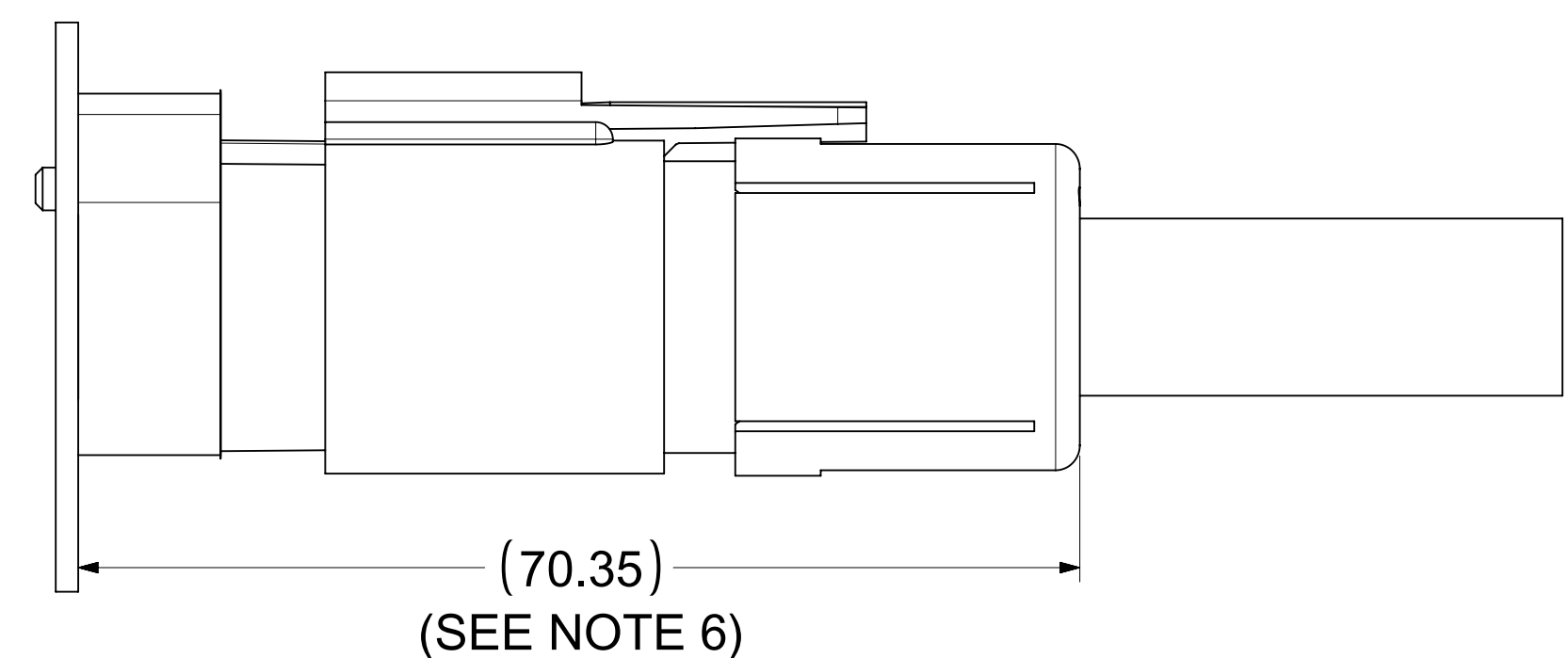
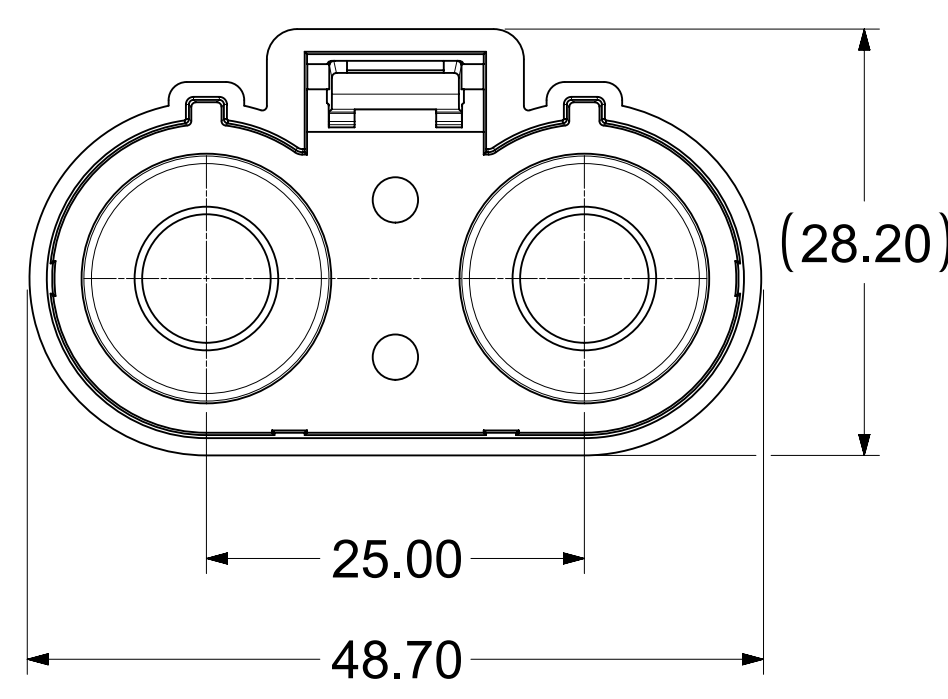
MAIN HOUSING



RETAINER



EXPLODED VIEW
(SEE NOTE 7)



ASSEMBLED AND MATED PROFILE
(SEE NOTE 6)

NOTES;

1. MATERIALS:
 - I. POWER TERMINALS: SEE TERMINAL SD FOR DETAILS
 - II. PLASTIC HOUSINGS: PBT POLYESTER, BLACK
2. MATES WITH HEADER ASSEMBLY 2046000001.
3. PRODUCT SPECIFICATION: 2046000001-PS.
4. PACKAGING SPECIFICATION: SEE CHART.
5. ASSEMBLY SPECIFICATION: 2043130001-AS.
6. OVERALL LENGTH DOESN'T INCLUDE WIRES
7. COMPONENTS 1,2 AND 3 MUST BE PURCHASED INDIVIDUALLY (SHOWN AS ASSEMBLY FOR VISUAL PURPOSES ONLY)
8. ASSEMBLY MEETS ROHS REQUIREMENTS.
9. SEE 2046080001-SD FOR TERMINAL DETAILS

THIS DRAWING CONTAINS INFORMATION THAT IS PROPRIETARY TO MOLEX ELECTRONIC TECHNOLOGIES, LLC AND SHOULD NOT BE USED WITHOUT WRITTEN PERMISSION									
DIMENSION UNITS mm		SCALE NTS		CURRENT REV DESC: UPDATED NOTE 3				molex	
GENERAL TOLERANCES (UNLESS SPECIFIED)				EC NO: 693297					
ANGULAR TOL		± 0.5°		DRWN: SOURAJ		2022/01/21		8.0MM CST CRIMP, FEMALE CABLE ASSY 2 CIRCUIT	
4 PLACES		±		CHK'D: JJONIAK		2022/01/31		PRODUCT CUSTOMER DRAWING	
3 PLACES		±		APPR: JJONIAK		2022/01/31		DOCUMENT NUMBER	
2 PLACES		± 0.15		INITIAL REVISION:				DOC TYPE	
1 PLACE		± 0.25		DRWN: JJONIAK		2018/05/02		DOC PART	
0 PLACES		±		APPR: BPISZCZOR		2018/07/05		REVISION	
DRAFT WHERE APPLICABLE MUST REMAIN WITHIN DIMENSIONS				THIRD ANGLE PROJECTION		DRAWING		SERIES	
				D-SIZE		204599		MATERIAL NUMBER	
						SEE CHART		CUSTOMER	
								SHEET NUMBER	
								1 OF 1	