

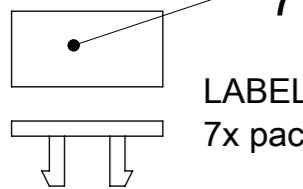
TABLE 1

MOLEX PN	ENG. NO.	CABLE LENGHT (mm)	LED
1202470031	BEB6010-FBW-05	5000	NO
1202470032	BEB6010-FBW-10	10000	NO
1202470033	BEB6010-FBW-15	15000	NO
1202470040	BEB601P-FBW-05	5000	YES
1202470041	BEB601P-FBW-10	10000	YES
1202470042	BEB601P-FBW-15	15000	YES

TABLE 2

ITEM	COMPONENT	MATERIAL	FINISH
1	INSERT	POLYESTER	BLACK
2	CONTACT	COPPER ALLOY	GOLD OVER NICKEL
3	O-RING	VITON	RED
4	RECEPTACLE SHELL	BRASS	NICKEL PLATED
5	HOUSING	PBT	BLACK
6	CABLE	TPU	BLACK
7	LABEL	ABS	WHITE
8	LABEL ADHESIVE	PE	WHITE
9	CABLE PLATE	PBT	BLACK
10	LED	NO LED = PA	BLACK
		WITH LED = PA	TRANSPARENT
11	RESIN	EPOXY	TRANSPARENT

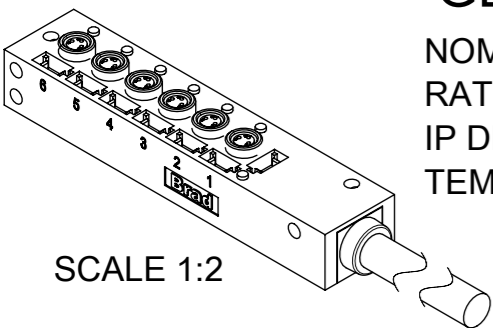
SCALE 2:1



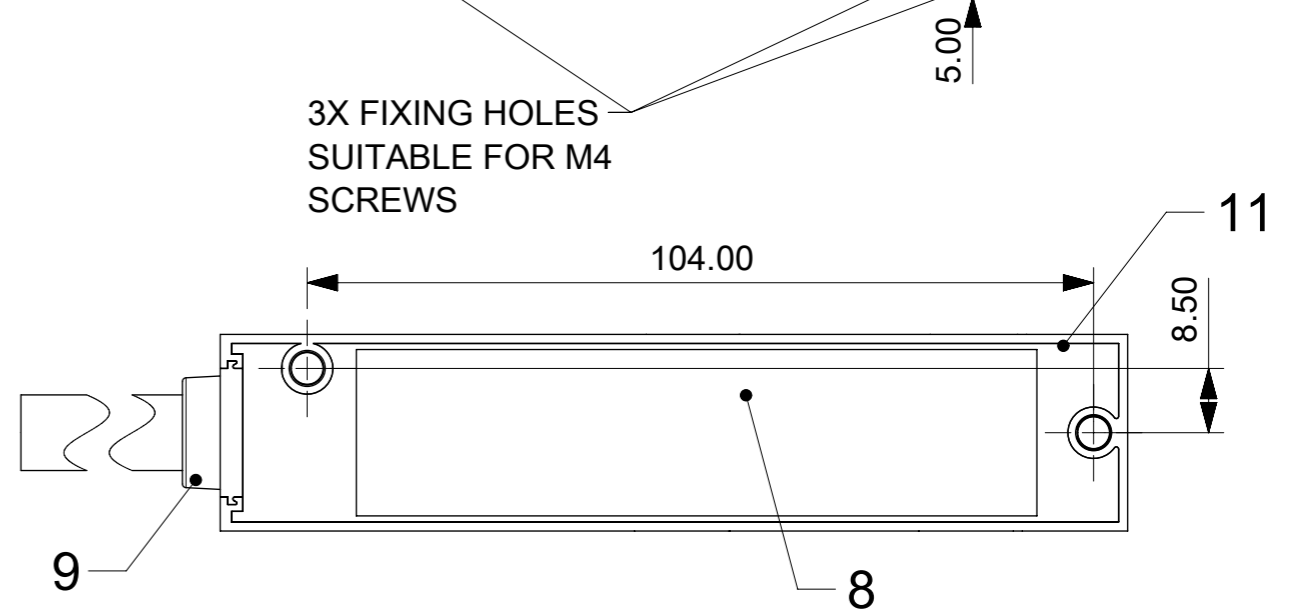
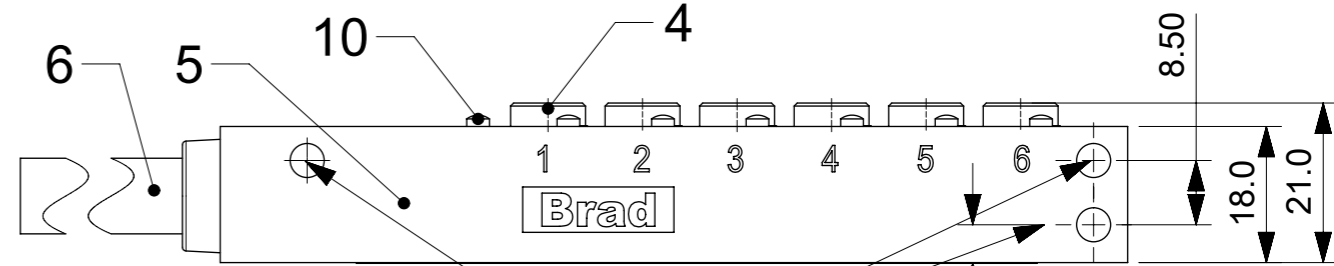
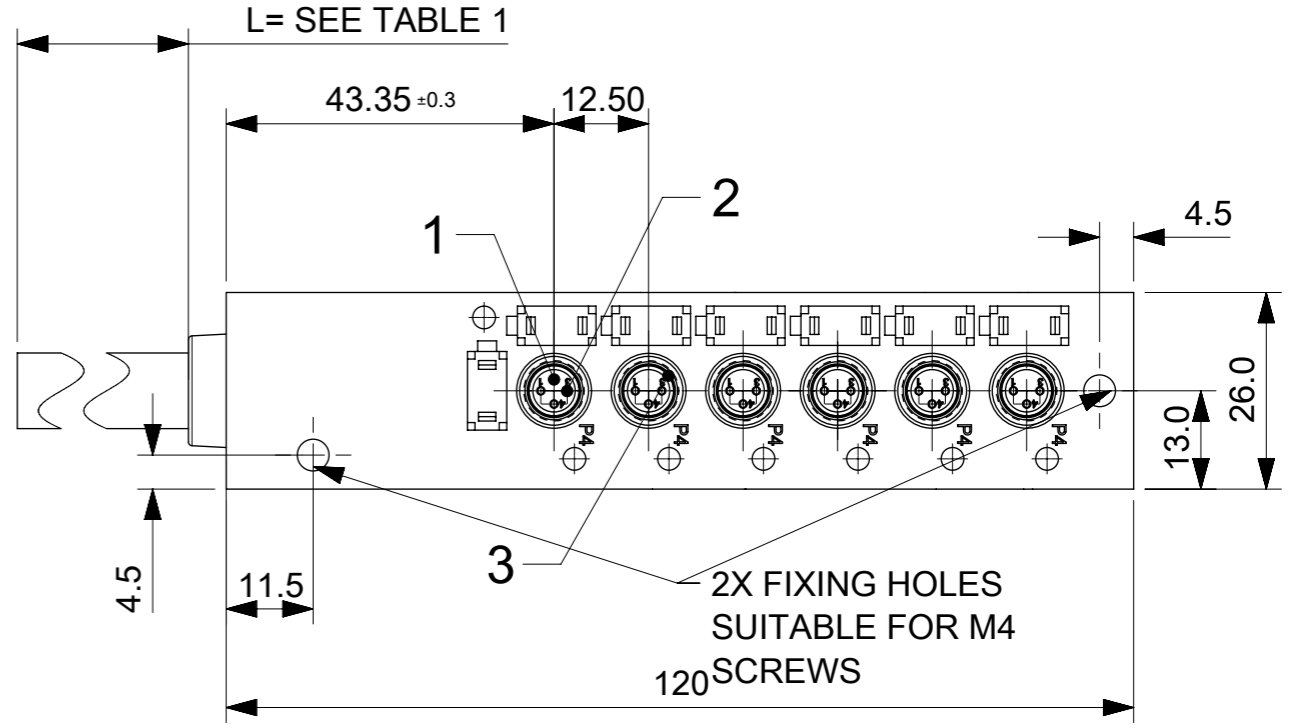
7x packed in a bag.

GENERAL CHARACTERISTICS:

NOMINAL VOLTAGE: 24 V DC
 RATED CURRENT: 2 A PER PORT / 6 A MAX: TOTAL
 IP DEGREE OF PROTECTION: IP 67
 TEMPERATURE RANGE: -25°C to + 85°C



SCALE 1:2

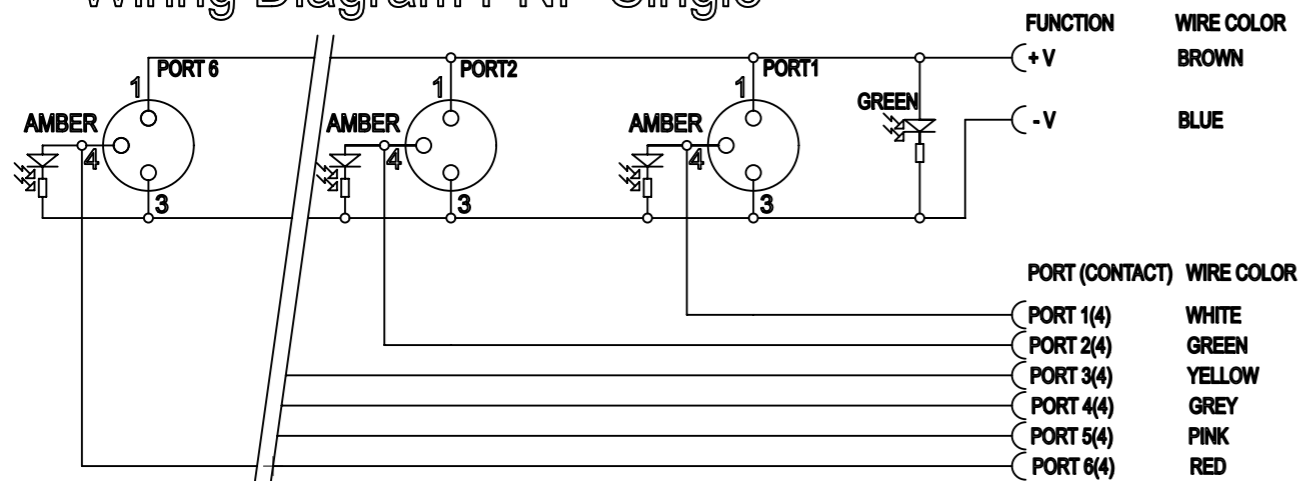


CABLE LENGTH TOLERANCES

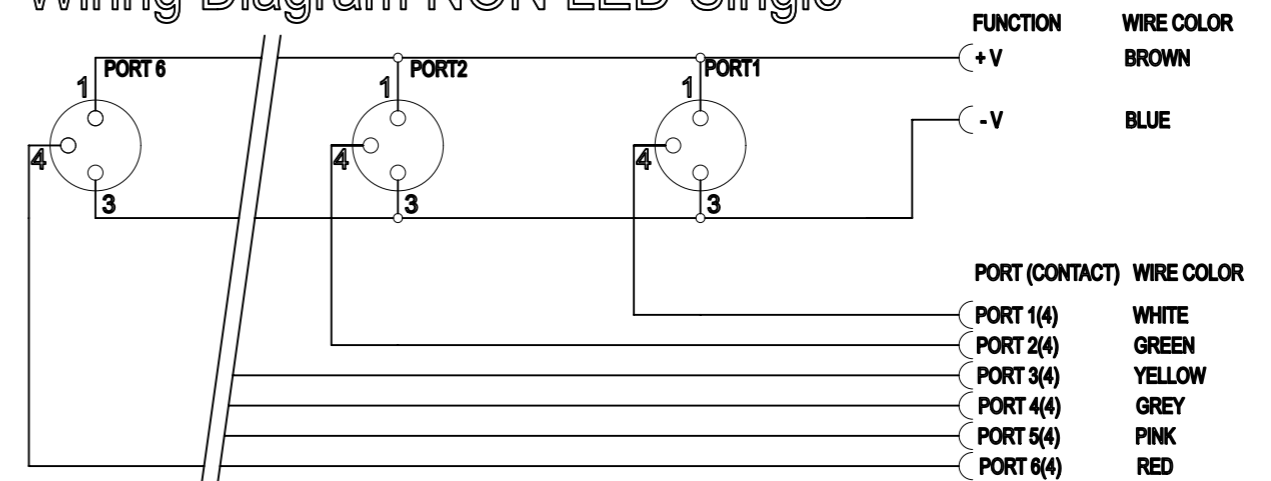
LENGTH	TOLERANCE
0m-1m	+40 mm
>1m-5m	+60 mm
>5m-10m	+80 mm
>10m-20m	+140 mm
>20m-30m	+160 mm
>30m	+1% length

FUNCTIONAL SYMBOLS ∇/A = 0 ∇/E = 0 ∇/V = 0	THIS DRAWING CONTAINS INFORMATION THAT IS PROPRIETARY TO MOLEX ELECTRONIC TECHNOLOGIES, LLC AND SHOULD NOT BE USED WITHOUT WRITTEN PERMISSION		CURRENT REV DESC: ADDED CABLE TOLERANCE TABLE		
	DIMENSION UNITS mm	SCALE 1:1	molex		
DIVISIONAL SYMBOLS	GENERAL TOLERANCES (UNLESS SPECIFIED)		MPIS M8 PNP NOS 3P 6PT AC FE STR BK 5M SINGLE		
	ANGULAR TOL	± °	PRODUCT CUSTOMER DRAWING		
DRAFT WHERE APPLICABLE MUST REMAIN WITHIN DIMENSIONS	4 PLACES ±	EC NO: 699789	DOCUMENT NUMBER		
	3 PLACES ±	DRWN: MDHARMANTI	DOC TYPE DOC PART REVISION		
	2 PLACES ± 0.2	CHK'D: RSILLER	1202470031 PSD 000 B1		
	1 PLACE ± 0.3	APPR: RSILLER	SEE TABLE 1 GENERAL MARKET		
0 PLACES ± 0.5	INITIAL REVISION:	SHEET NUMBER			
THIRD ANGLE PROJECTION	DRWING	SERIES	MATERIAL NUMBER	CUSTOMER	
A3-SIZE	120247	SEE TABLE 1	GENERAL MARKET	1 OF 2	

Wiring Diagram PNP Single



Wiring Diagram NON LED Single



FUNCTIONAL SYMBOLS	THIS DRAWING CONTAINS INFORMATION THAT IS PROPRIETARY TO MOLEX ELECTRONIC TECHNOLOGIES, LLC AND SHOULD NOT BE USED WITHOUT WRITTEN PERMISSION							
	$\nabla_A = 0$ $\nabla_F = 0$ $\nabla_V = 0$	DIMENSION UNITS: mm SCALE: 1:1				CURRENT REV DESC: ADDED CABLE TOLERANCE TABLE		
DIVISIONAL SYMBOLS	GENERAL TOLERANCES (UNLESS SPECIFIED)		EC NO: 699789					
	ANGULAR TOL ± °		DRWN: MDHARMANTI 2022/03/11					
	4 PLACES ±		CHK'D: RSILLER 2022/03/17					
	3 PLACES ±		APPR: RSILLER 2022/03/17					
	2 PLACES ± 0.2		INITIAL REVISION:					
1 PLACE ± 0.3		DRWN: ULETTENMEIER 2015/06/15						
0 PLACES ± 0.5		APPR: RSILLER 2015/07/03						
DRAFT WHERE APPLICABLE MUST REMAIN WITHIN DIMENSIONS		THIRD ANGLE PROJECTION	DRAWING	SERIES	DOCUMENT NUMBER	DOC TYPE	DOC PART	REVISION
			A3-SIZE	120247	1202470031	PSD	000	B1
					SEE TABLE 1	GENERAL MARKET		2 OF 2