

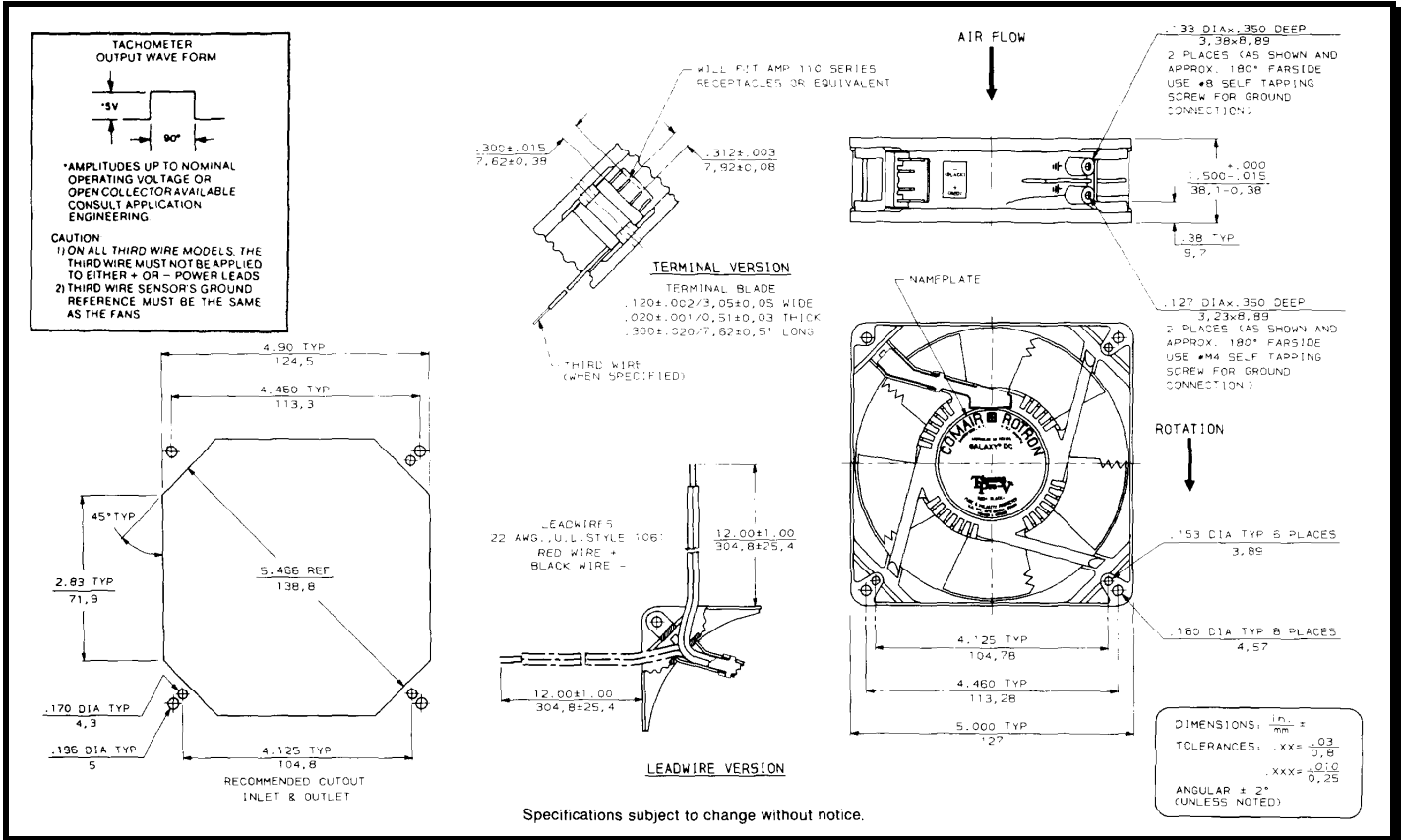
# SPECIFICATIONS

**Model Number:** GLD12B3-E3  
**Part Number:** 17001207A

**Version:** 00  
**Jun 13, 2018**



## Mechanical Drawing:



### Motor:

Nominal Voltage	= 12 vdc
Operating Voltage Range	= 8 - 16 vdc
Nominal Running Current	= 1.30 amps
Locked Rotor Current	= 3.00 amps
Running Power	= 15.6 watts
Average Speed	= 3300 rpm
Bearings	= Ball
Air Flow	= 150 CFM
Acoustic	= 53.6 dBA

### Construction:

Venturi: Die Cast Aluminum, Black  
 Propeller: Plastic, Black, UL 94V-0

### Life Expectancy:

This fan is designed for continuous duty life of 60,000 hours at 70°C.

### Additional Features:

Brushless DC Motor  
 Polarity Protected  
 Locked Rotor Protection  
 Automatic Restart Capability  
 Operating Temperature -10°C to 70°C  
 Storage Temperature -40 °C to 85°C  
 Environmental Protection: Type 3(IP68)

### Termination:

12" Lead wires, 22 AWG, UL 1061  
 Red = Fan Power (+)  
 Black = Fan Ground (-)

### Agency Approvals:

UL, CUL, CE

**PQ Curve:**

