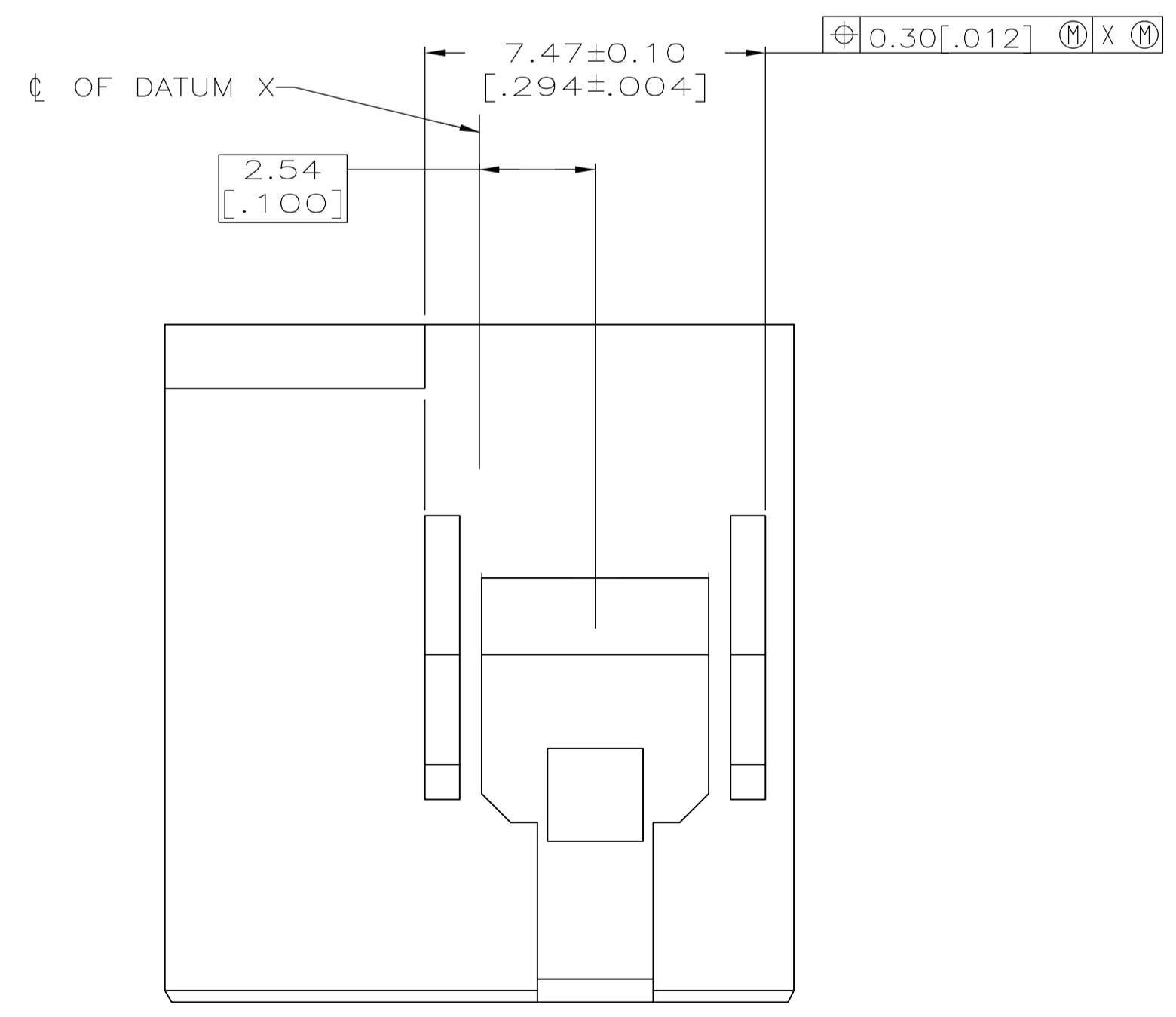
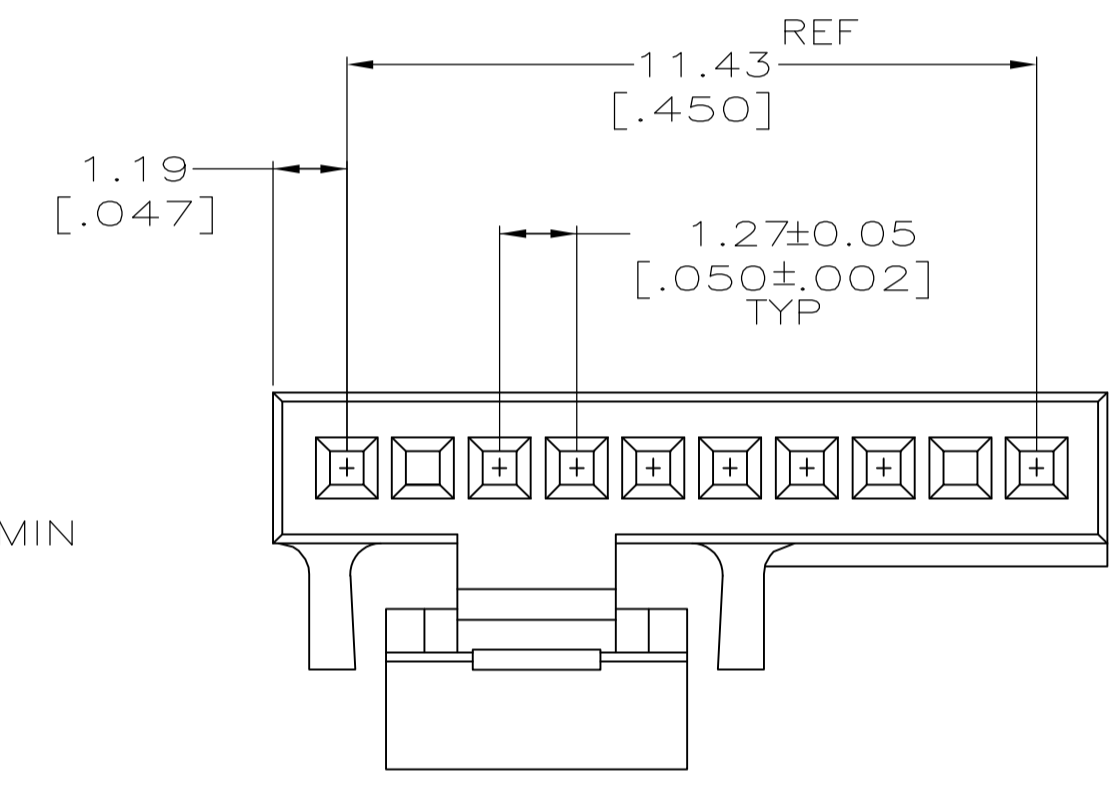
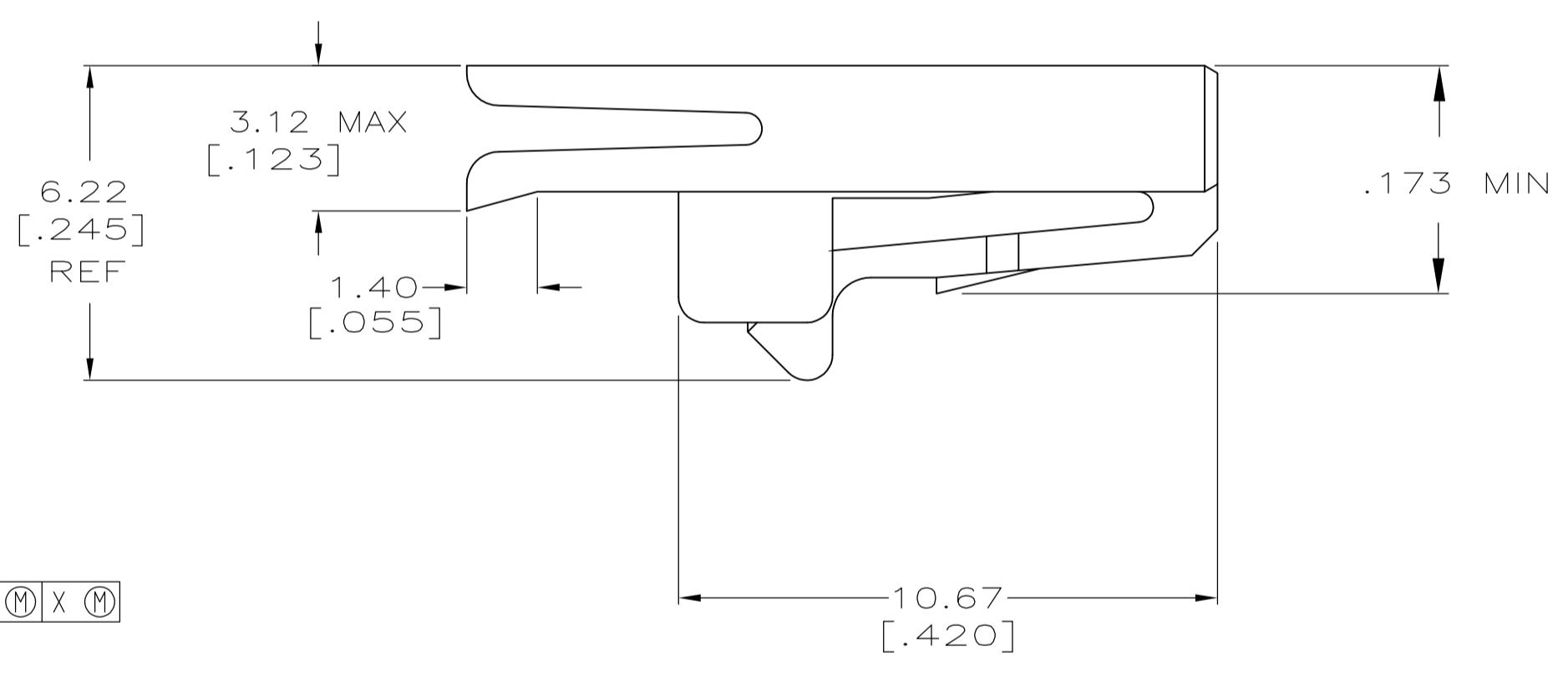
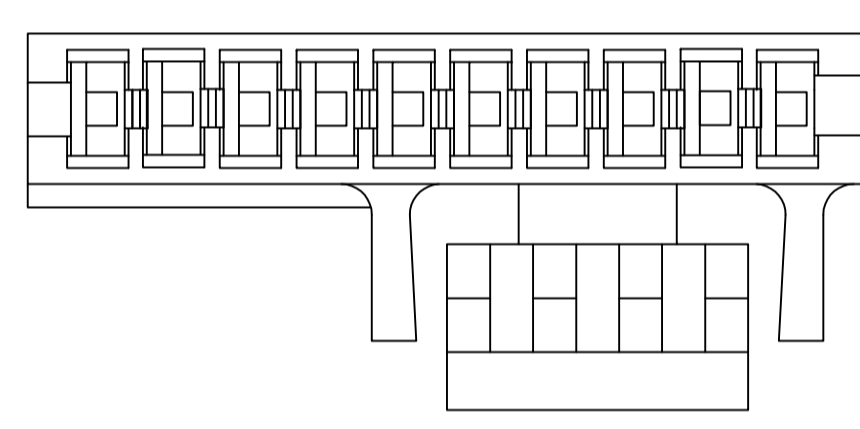


1 WINDOWS MAY OR MAY NOT BE PRESENT ON THIS SIDE OF THE HOUSING.



| | |
|------------|-------------|
| 10 | 487973-1 |
| NO OF POSN | PART NUMBER |

| | | | | | |
|--|------------|-------------------------|--|--|--|
| THIS DRAWING IS A CONTROLLED DOCUMENT. | | DIN C. OBERMAN 05/25/93 | | TE Connectivity | |
| DIMENSIONS: mm [INCHES] | | CHK R. STONE 5-25-93 | | NAME | |
| TOLERANCES UNLESS OTHERWISE SPECIFIED: | | APVD | | PRODUCT SPEC | |
| 0. PLC ± - | 1. PLC ± - | 108-16022 | | HOUSING, RECEPTACLE, LATCH OFFSET, .050 C/L, FFC | |
| 2. PLC ± 0.13 [.005] | 3. PLC ± - | APPLICATION SPEC | | SIZE | |
| 4. PLC ± - | ANGLES ± - | 114-16008 | | CAGE CODE DRAWING NO | |
| MATERIAL POLYESTER, BLACK | FINISH - | WEIGHT - | | A1 00779 C=487973 | |
| CUSTOMER DRAWING | | | | SCALE 8:1 SHEET 1 OF 1 REV H | |