

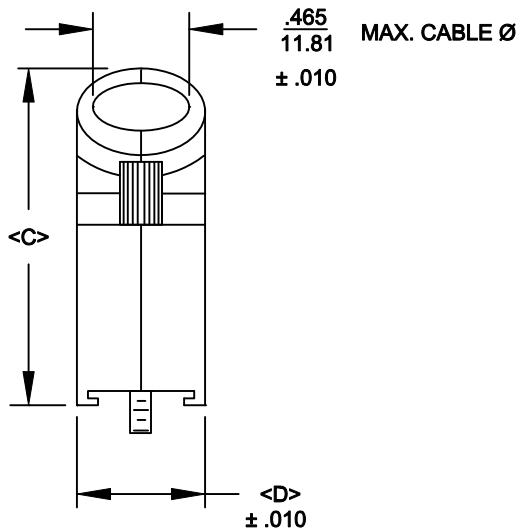
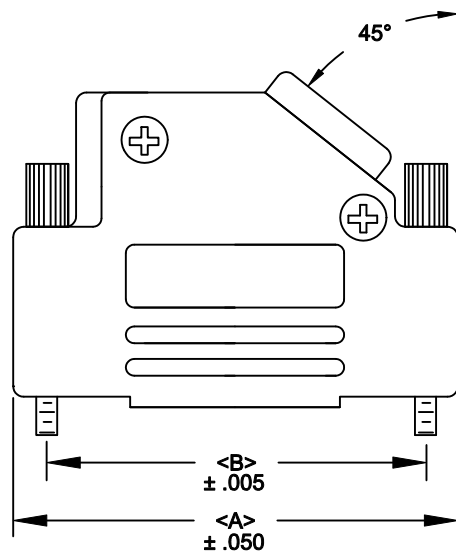
DESCRIPTION: 971 SERIES D-SUB BACKSHELL

BACKSHELL KIT INCLUDES:

- (2) BACKSHELL HALVES
- (2) 4-40 THUMBSCREWS
- (2) HOUSING SCREWS
- (1) COMPRESSION RING - VARIOUS SIZES
 $\varnothing 0.157$ [4.0], $\varnothing 0.197$ [5.0], $\varnothing 0.276$ [7.0], $\varnothing 0.354$ [9.0]

NOTE: 9 POSITION HAS ONLY 1 THUMBSCREW

(OPPOSITE CABLE ENTRY)



971-YYY-020R121

SERIES _____
 POSITIONS _____
 009
 015
 025
 037
 MATERIAL _____
 020 = METALIZED PLASTIC
 COLOR: _____
 12 = NICKEL OVER COPPER
 PUT-UPS _____
 1 = KIT

POS.	A	B	C	D
9	1.220	.984	1.496	.614
	30.99	24.99	38.00	15.60
15	1.595	1.312	1.618	.614
	40.51	33.32	41.10	15.60
25	2.114	1.852	1.646	.614
	53.70	47.04	41.81	15.60
37	2.748	2.500	1.646	.614
	69.80	63.50	41.81	15.60

PLASTIC: ABS VH-0800 - NICKEL PLATED - UL 94-HB

JACKSCREWS: STEEL


HOOD SCREWS: STEEL

COMPRESSION INSERTS: ABS UL 94-HB

NUTS: STEEL

OPERATING TEMP: -30°C TO + 90 °C

RoHS COMPLIANT

	THESE DRAWINGS AND SPECIFICATIONS ARE THE PROPERTY OF NorComp AND SHALL NOT BE REPRODUCED, COPIED OR USED AS THE BASIS FOR THE MANUFACTURE OR SALE OF APPARATUS WITHOUT WRITTEN PERMISSION.		DRAWN: PAM JENKINS	DATE: 6-10-05
			CHECKED:	DATE:
NorComp		SCALE	SHEET 1 OF 1	REV 8
		DWG NO. 971-YYY-020R121		