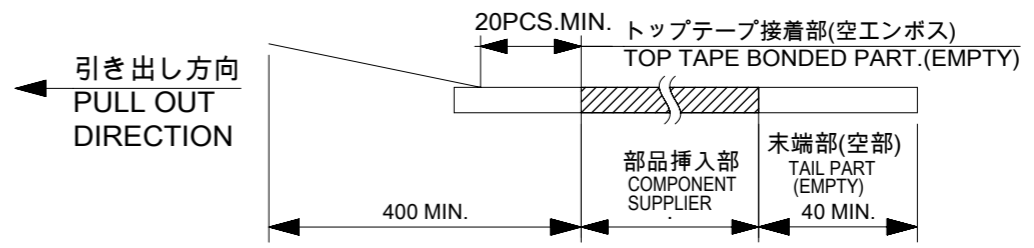


- NOTES**
- 製品詳細寸法については製品単体図面を参照下さい。
RE DETAIL DIMENSION, SEE SALES DRAWING FOR CONNECTOR.
 - 梱包数量：1000個 / リール
NUMBER OF CONNECTORS : 1000 PCS/REEL
 - リードテープ長さ LEAD TAPE LENGTH

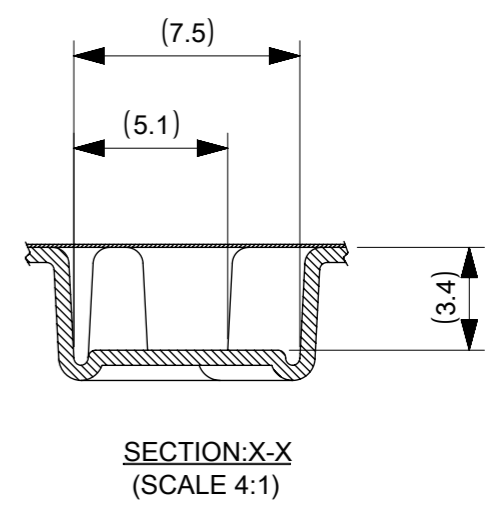
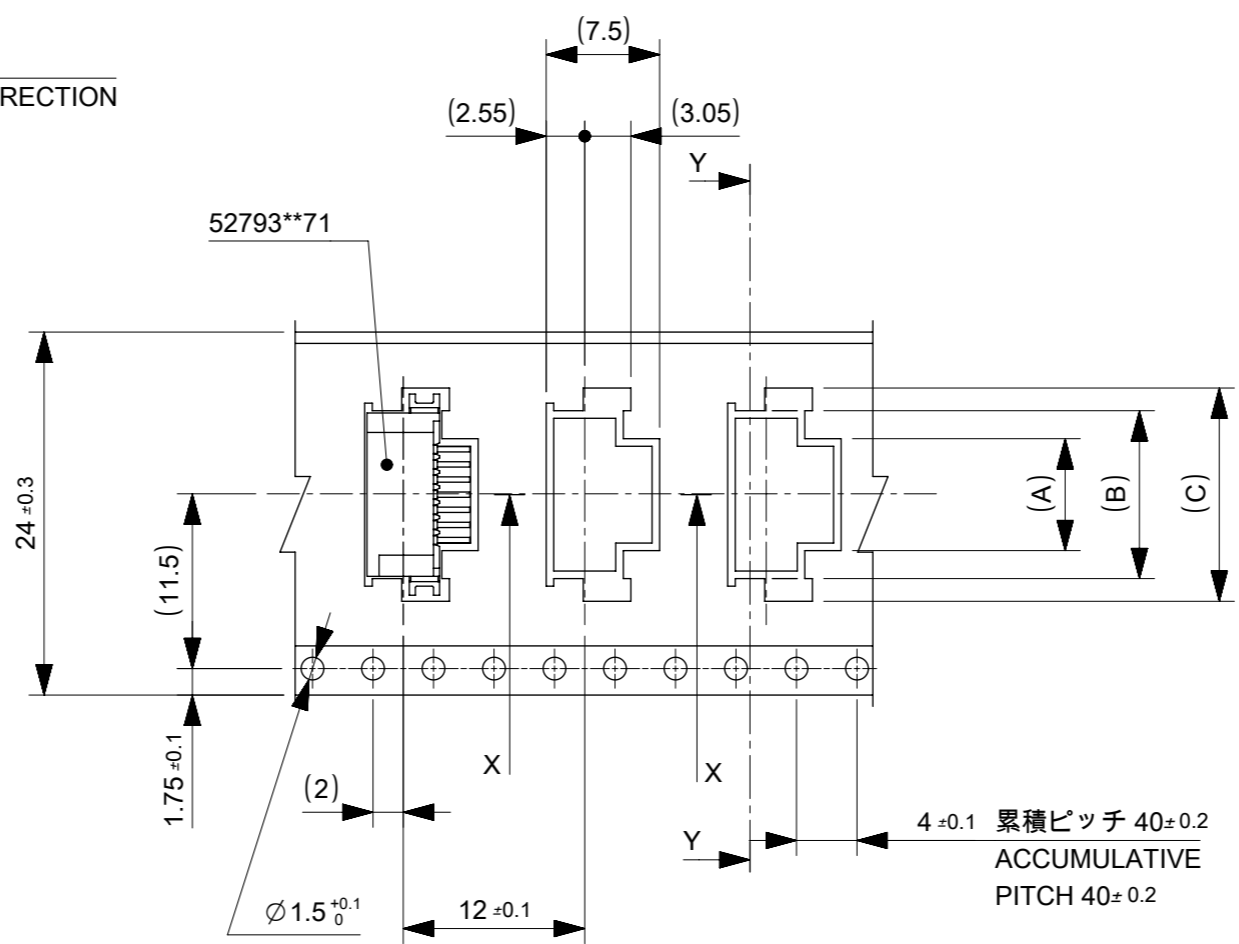
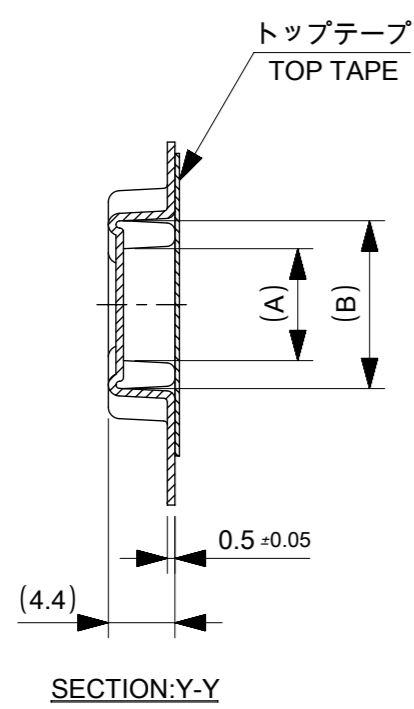


- 材料 (MATERIAL)
 キャリアテープ (CARRIER TAPE) : ポリプロピレン (POLYPROPYLENE)
 トップテープ (TOP TAPE) : PET, PE, PEF
 リール (REEL) : ポリスチレン (PS) <リサイクル材含む>
 POLYSTYRENE (PS)<RECYCLE MATERIAL CONTAINED>
- 本製品は 52793 シリーズの金メッキ品である。
THIS PRODUCT IS Au PLATING OF 52793 SERIES.

52793**72 MODEL NO.

THIS DRAWING CONTAINS INFORMATION THAT IS PROPRIETARY TO MOLEX ELECTRONIC TECHNOLOGIES, LLC AND SHOULD NOT BE USED WITHOUT WRITTEN PERMISSION											
EC NO: 108819 DRWN: RLALSANGI CHK'D: KTAKAHASHI APPR: TKUSUHARA01	2016/02/03 2016/09/28 2016/09/29		GENERAL TOLERANCES (UNLESS SPECIFIED) ANGULAR TOL ± 3.0 °		DIMENSION UNITS	SCALE					
	4 PLACES ± 0.2		3 PLACES ± 0.2		MM	NTS					
	2 PLACES ± 0.25		1 PLACE ± 0.3		DRWN BY	DATE	1.0 FFC CONN NON ZIF SMT RA UPPER CONT EMBSTP PKG -LEAD FREE-				
	0 PLACES ± 0.3		DRAFT WHERE APPLICABLE MUST REMAIN WITHIN DIMENSIONS		CHK'D BY	DATE					
	A		REV		TKUSUHARA01	2016/09/29				PRODUCT CUSTOMER DRAWING	
RELEASE STATUS		P1	RELEASE DATE	29.09.2016	01:01:11	DRAWING SIZE	THIRD ANGLE PROJECTION	SERIES	MATERIAL NUMBER	CUSTOMER	
A		A		A3		A3		52793	527930001	GENERAL	
								DOCUMENT NUMBER	DOC TYPE	DOC PART	SHEET NUMBER
								527930001	PSD	000	1 OF 5

引き出し方向
PULL OUT DIRECTION



24mm幅キャリアテープ
24mm WIDTH CARRIER TAPE

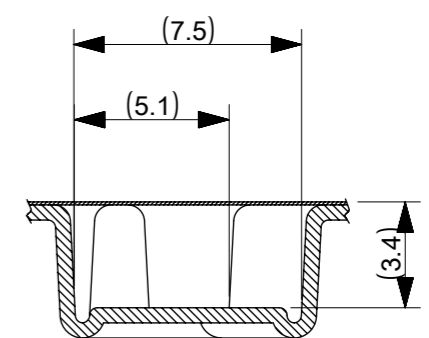
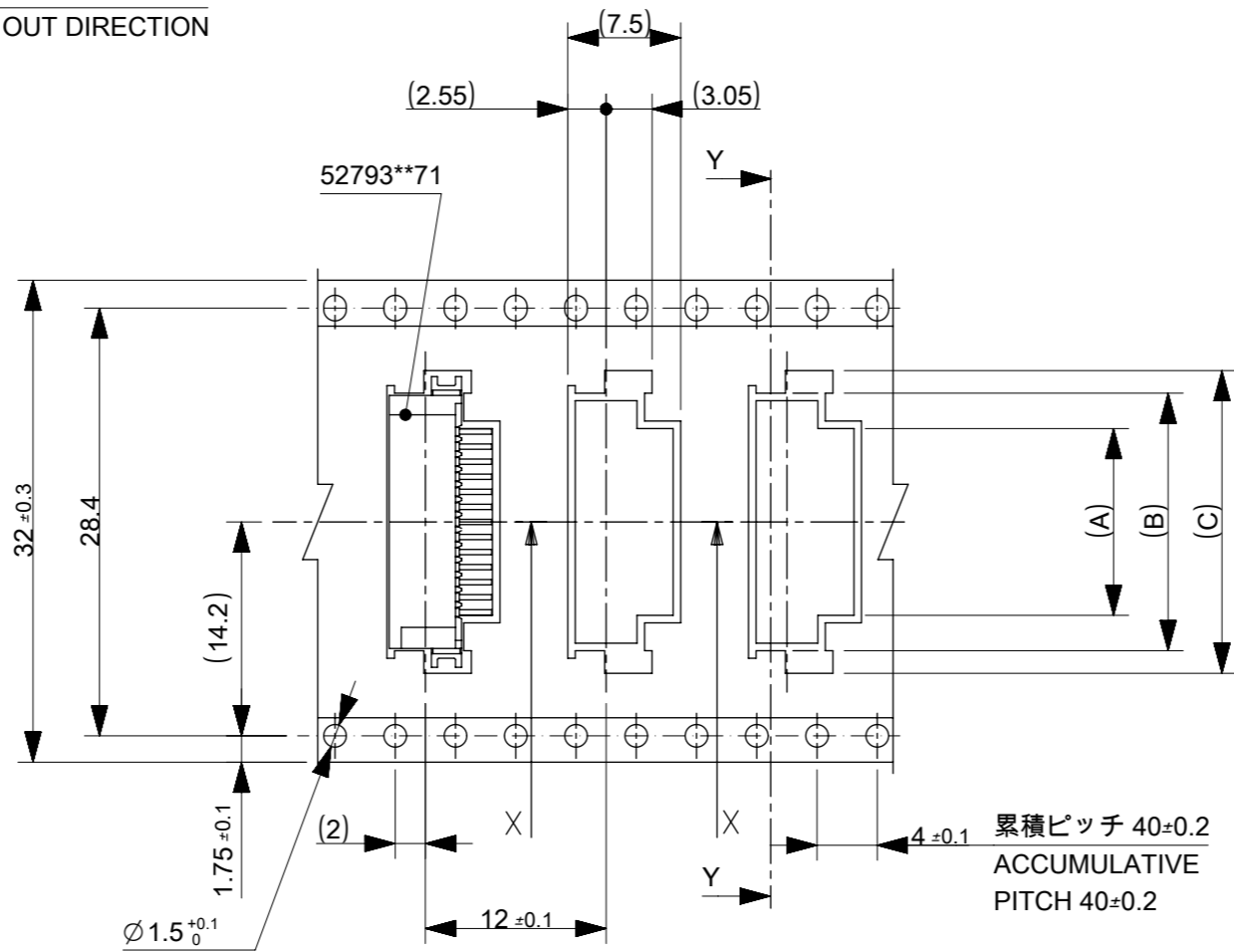
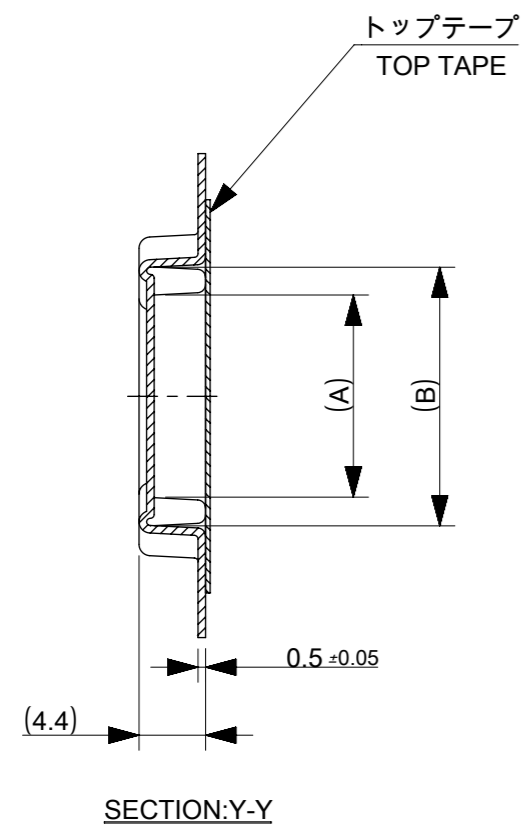
24	29.4	25.4	18.1	15.1	11.4	527931172	11		
			17.1	14.1	10.4	527931072	10		
			14.1	11.1	7.4	527930772	7		
			13.1	10.1	6.4	527930672	6		
			12.1	9.1	5.4	527930572	5		
			11.1	8.1	4.4	527930472	4		
キャリアテープ幅 CARRIER TAPE WIDTH			E	D	(C)	(B)	(A)	MATERIAL.NO.	極数 CIRCUIT

52793**72 MODEL NO.

THIS DRAWING CONTAINS INFORMATION THAT IS PROPRIETARY TO MOLEX ELECTRONIC TECHNOLOGIES, LLC AND SHOULD NOT BE USED WITHOUT WRITTEN PERMISSION

EC NO: 108819 DRWN: RLALSANGI CHK'D: KTAKAHASHI APPR: TKUSUHARA01	2016/02/03	GENERAL TOLERANCES (UNLESS SPECIFIED)		DIMENSION UNITS	SCALE		
	2016/09/28	ANGULAR TOL ± 3.0 °		MM	NTS		
	2016/09/29	4 PLACES ± 0.2	DRWN BY	RLALSANGI	DATE		2016/02/03
		3 PLACES ± 0.2	CHK'D BY	KTAKAHASHI	DATE		2016/09/28
		2 PLACES ± 0.25	APPR BY	TKUSUHARA01	DATE		2016/09/29
	1 PLACE ± 0.3	DRAWING SIZE	THIRD ANGLE PROJECTION			1.0 FFC CONN NON ZIF SMT RA UPPER CONT EMBSTP PKG -LEAD FREE- PRODUCT CUSTOMER DRAWING	
	0 PLACES ± 0.3	A3					
	DRAFT WHERE APPLICABLE MUST REMAIN WITHIN DIMENSIONS						
		SERIES	MATERIAL NUMBER	CUSTOMER			
		52793		GENERAL			
		DOCUMENT NUMBER		DOC TYPE	DOC PART	SHEET NUMBER	
		527930001		PSD	000	2 OF 5	

引き出し方向
PULL OUT DIRECTION



32mm 幅キャリアテープ
32mm WIDTH CARRIER TAPE

32	37.4	33.4	21.1	20.1	16.4	527931672	16
			23.1	18.1	14.4	527931472	14
			19.1	16.1	12.4	527931272	12
キャリアテープ幅 CARRIER TAPE WIDTH	E	D	(C)	(B)	(A)	MATERIAL NO.	極数 CIRCUIT

52793**72 MODEL NO.

THIS DRAWING CONTAINS INFORMATION THAT IS PROPRIETARY TO MOLEX ELECTRONIC TECHNOLOGIES, LLC AND SHOULD NOT BE USED WITHOUT WRITTEN PERMISSION

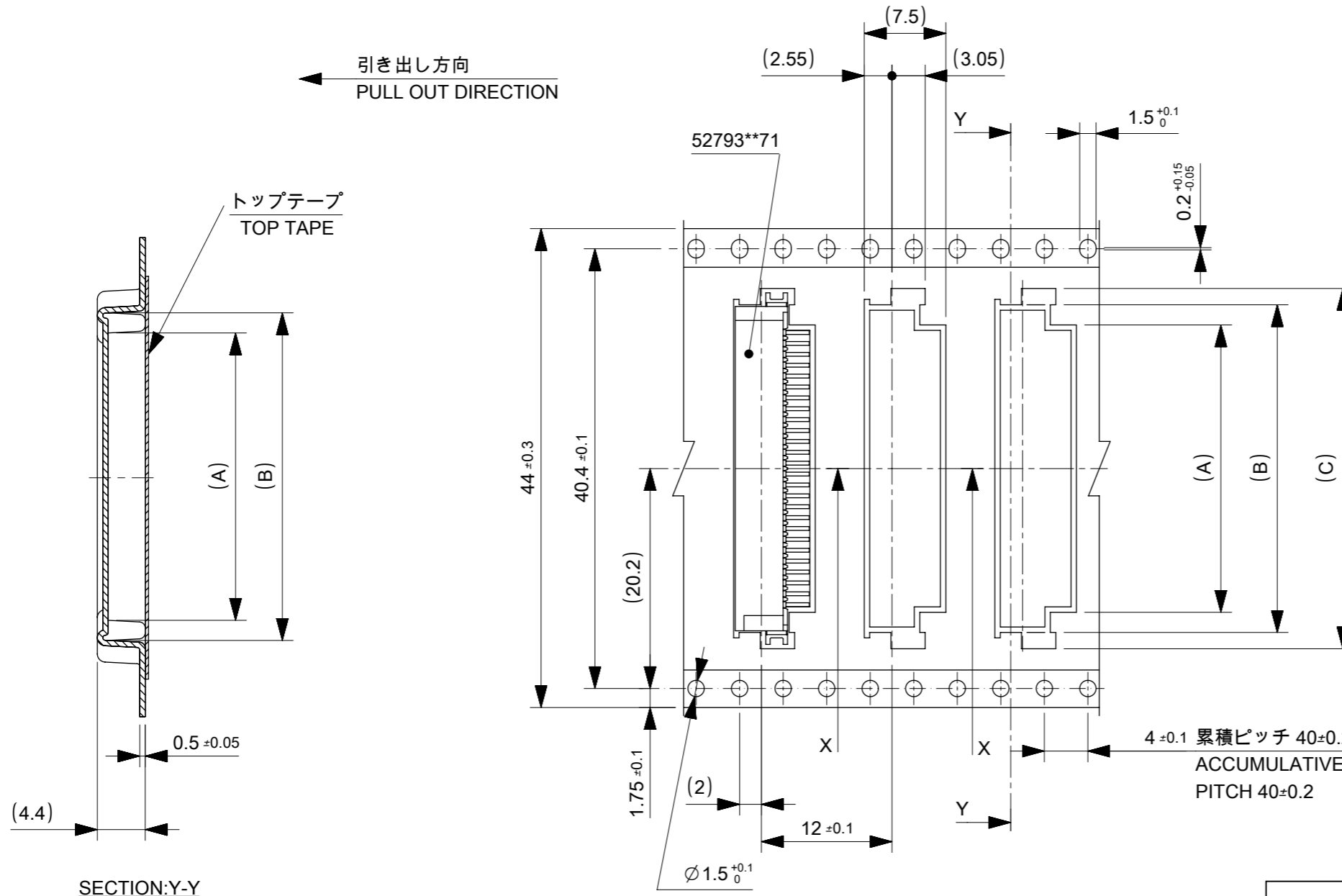
EC NO: 108819 DRWN: RLALSANGI CHK'D: KTAKAHASHI APPR: TKUSUHARA01	2016/02/03	GENERAL TOLERANCES (UNLESS SPECIFIED)		DIMENSION UNITS	SCALE	
	2016/09/28	ANGULAR TOL ± 3.0 °		MM	NTS	
	2016/09/29	4 PLACES	± 0.2	DRWN BY	DATE	
		3 PLACES	± 0.2	RLALSANGI	2016/02/03	
		2 PLACES	± 0.25	CHK'D BY	DATE	
	1 PLACE	± 0.3	KTAKAHASHI	2016/09/28		
	0 PLACES	± 0.3	APPR BY	DATE		
			TKUSUHARA01	2016/09/29		
			DRAFT WHERE APPLICABLE MUST REMAIN WITHIN DIMENSIONS	DRAWING SIZE	THIRD ANGLE PROJECTION	
				A3		

1.0 FFC CONN NON ZIF SMT RA
UPPER CONT EMBSTP PKG -LEAD FREE-

PRODUCT CUSTOMER DRAWING

SERIES	MATERIAL NUMBER	CUSTOMER
52793		GENERAL

DOCUMENT NUMBER	DOC TYPE	DOC PART	SHEET NUMBER
527930001	PSD	000	3 OF 5



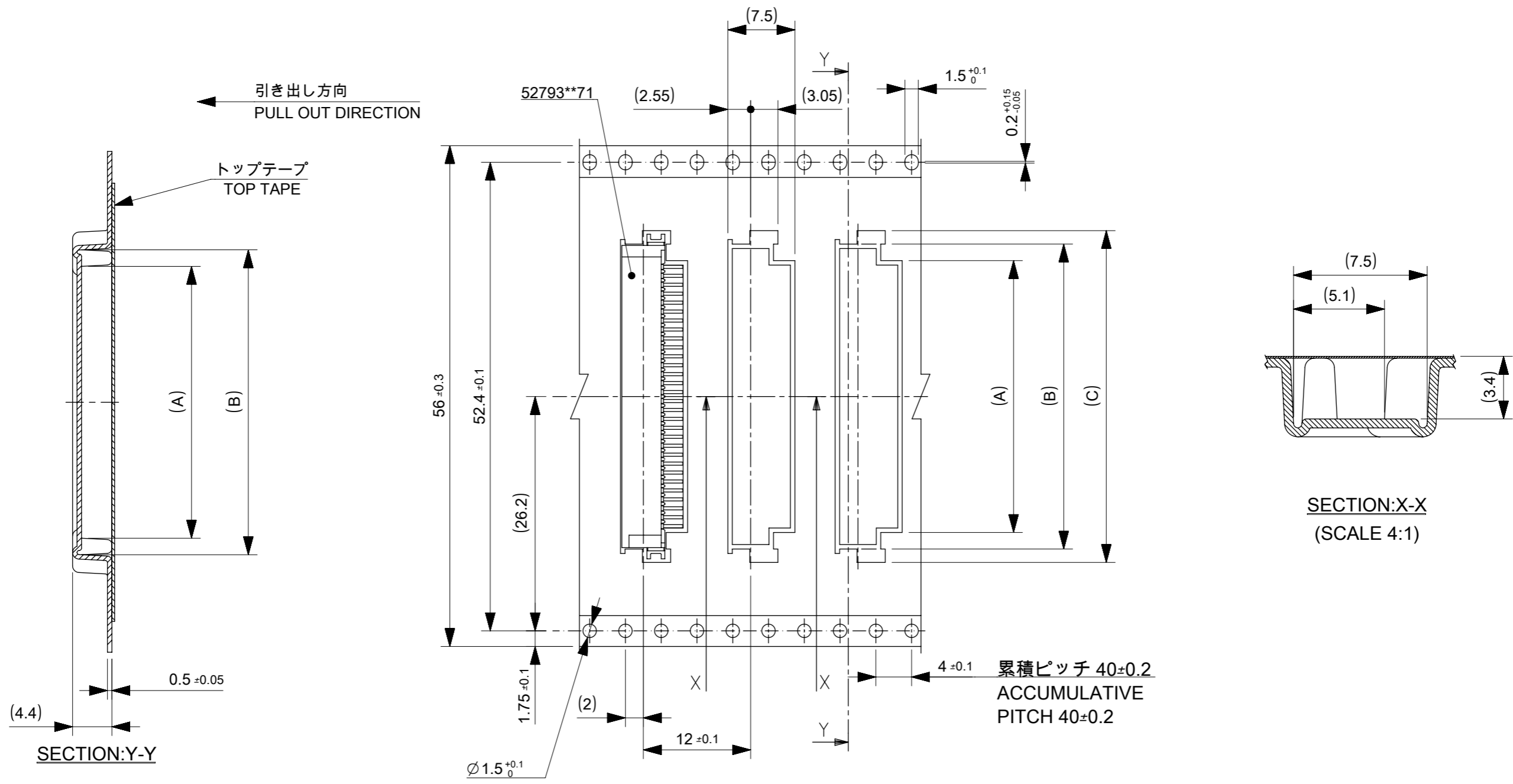
44mm幅キャリアテープ
44mm WIDTH CARRIER TAPE

44	49.5	45.4	34.1	31.1	27.4	527932772	27
			33.1	30.1	26.4	527932672	26
			29.1	26.1	22.4	527932272	22
			27.1	24.1	20.4	527932072	20
			26.1	23.1	19.4	527931972	19
キャリアテープ幅 CARRIER TAPE WIDTH	E	D	(C)	(B)	(A)	MATERIAL.NO.	極数 CIRCUIT

52793**72 MODEL NO.

THIS DRAWING CONTAINS INFORMATION THAT IS PROPRIETARY TO MOLEX ELECTRONIC TECHNOLOGIES, LLC AND SHOULD NOT BE USED WITHOUT WRITTEN PERMISSION

EC NO: 108819 DRWN: RLALSANGI CHK'D: KTAKAHASHI APPR: TKUSUHARA01	2016/02/03	GENERAL TOLERANCES (UNLESS SPECIFIED)		DIMENSION UNITS	SCALE	
	2016/09/28	ANGULAR TOL ± 3.0 °		MM	NTS	
	2016/09/29	4 PLACES	± 0.2	DRWN BY	DATE	
		3 PLACES	± 0.2	RLALSANGI	2016/02/03	
		2 PLACES	± 0.25	CHK'D BY	DATE	
	1 PLACE	± 0.3	KTAKAHASHI	2016/09/28		
	0 PLACES	± 0.3	APPR BY	DATE		
			TKUSUHARA01	2016/09/29		
DRAFT WHERE APPLICABLE MUST REMAIN WITHIN DIMENSIONS			DRAWING SIZE	THIRD ANGLE PROJECTION		PRODUCT CUSTOMER DRAWING SERIES: 52793 MATERIAL NUMBER: 527930001 CUSTOMER: GENERAL
			A3			
			DOCUMENT NUMBER	DOC TYPE	DOC PART	SHEET NUMBER
			527930001	PSD	000	4 OF 5

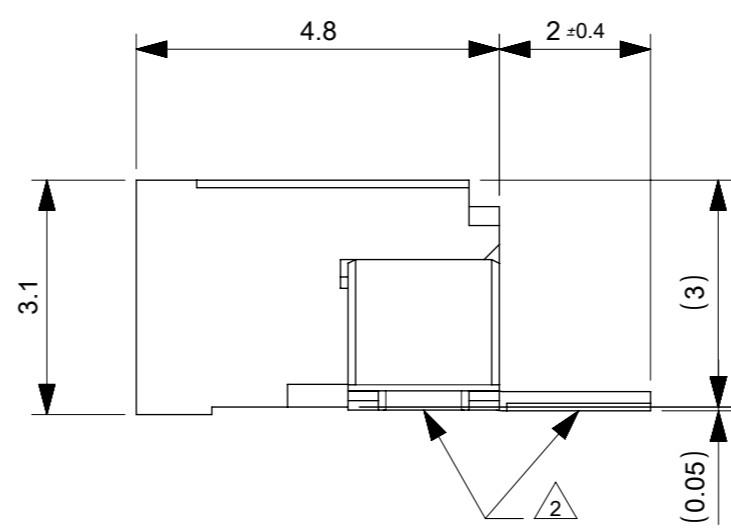
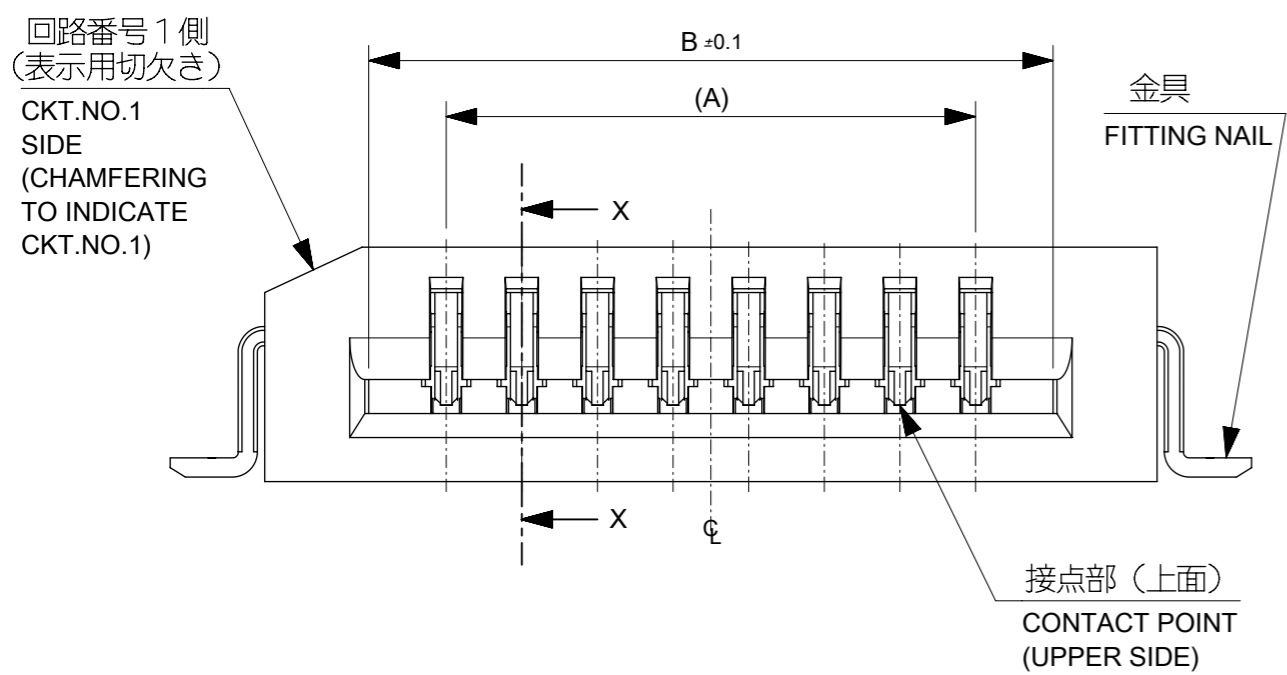
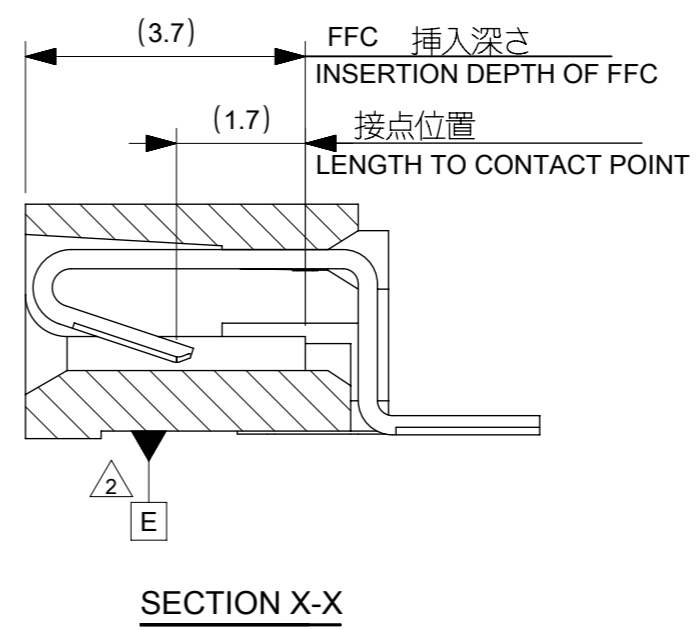
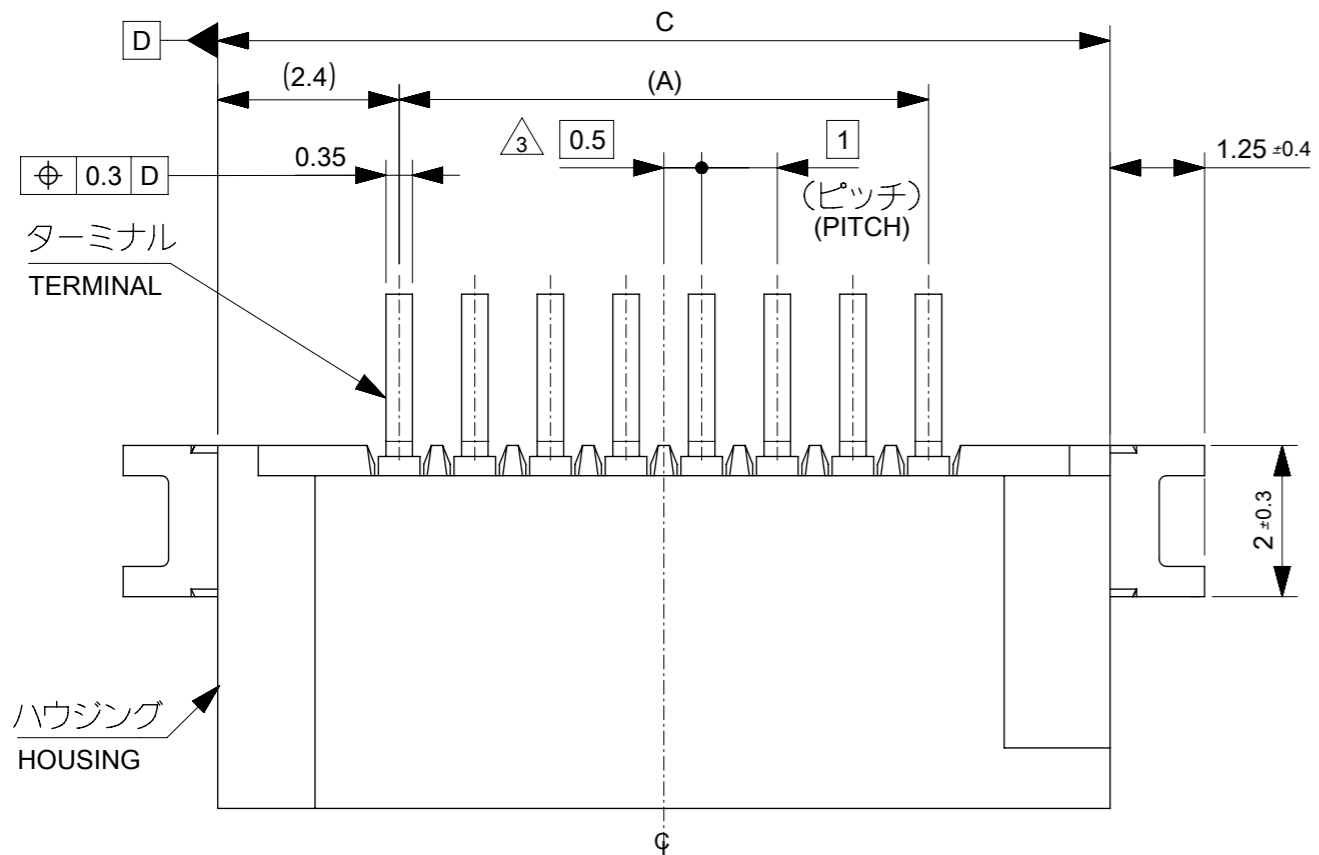


56mm 幅キャリアテープ
56mm WIDTH CARRIER TAPE

56	61.4	57.4	37.1	34.1	30.4	527933072	30
			36.1	33.1	29.4	527932972	29
			35.1	32.1	28.4	527932872	28
キャリアテープ幅 CARRIER TAPE WIDTH	E	D	(C)	(B)	(A)	MATERIAL NO.	極数 CIRCUIT
						52793**72	MODEL NO.

THIS DRAWING CONTAINS INFORMATION THAT IS PROPRIETARY TO MOLEX ELECTRONIC TECHNOLOGIES, LLC AND SHOULD NOT BE USED WITHOUT WRITTEN PERMISSION

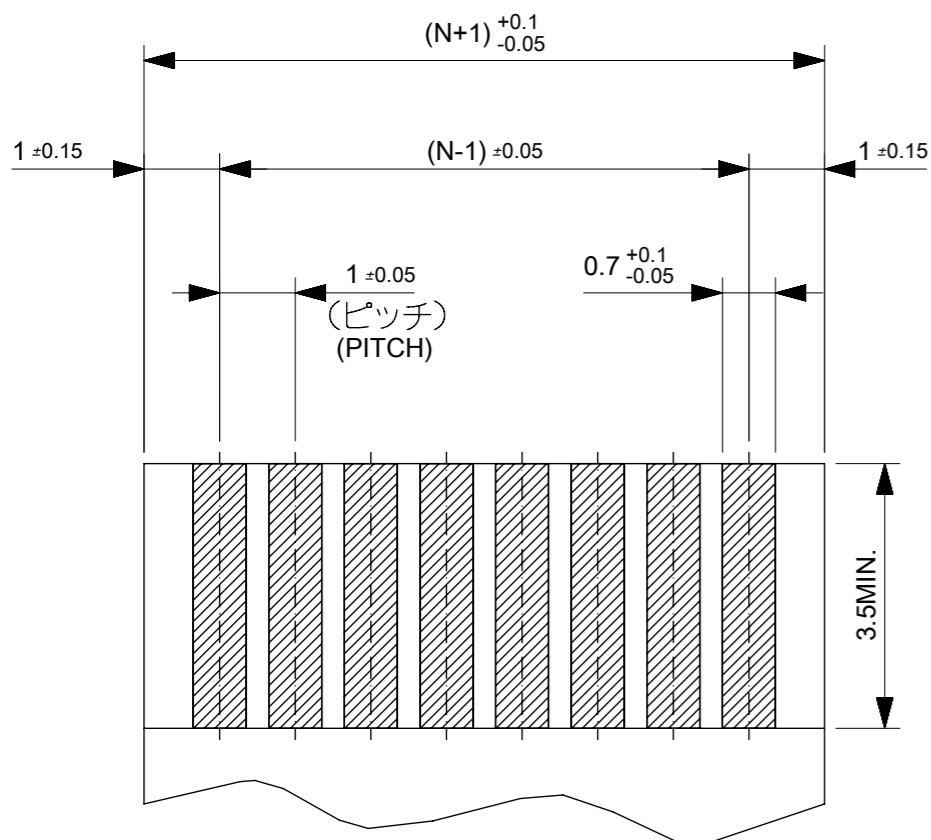
EC NO: 108819 DRWN: RLALSANGI CHK'D: KTAKAHASHI APPR: TKUSUHARA01	2016/02/03	GENERAL TOLERANCES (UNLESS SPECIFIED)		DIMENSION UNITS	SCALE	
	2016/09/28	ANGULAR TOL ± 3.0 °		MM	NTS	
	2016/09/29	4 PLACES	± 0.2	DRWN BY	DATE	
		3 PLACES	± 0.2	RLALSANGI	2016/02/03	
		2 PLACES	± 0.25	CHK'D BY	DATE	
	1 PLACE	± 0.3	KTAKAHASHI	2016/09/28		
	0 PLACES	± 0.3	APPR BY	DATE		
			TKUSUHARA01	2016/09/29		
			DRAFT WHERE APPLICABLE MUST REMAIN WITHIN DIMENSIONS	DRAWING SIZE	THIRD ANGLE PROJECTION	PRODUCT CUSTOMER DRAWING
				A3		SERIES: 52793
						MATERIAL NUMBER: 527930001
						CUSTOMER: GENERAL
						DOCUMENT NUMBER: 527930001
						DOC TYPE: PSD
						DOC PART: 000
						SHEET NUMBER: 5 OF 5



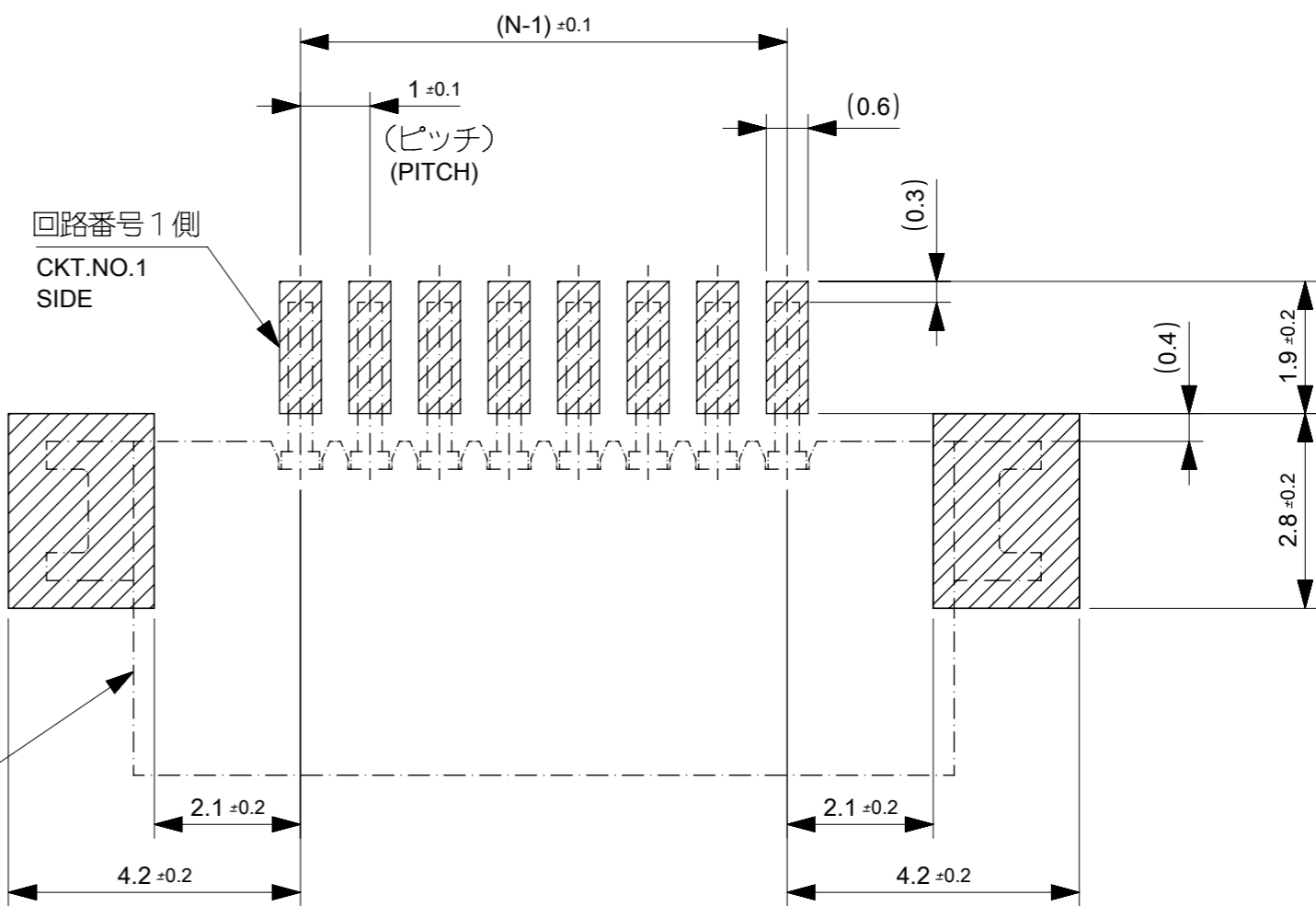
33.8	31.05	29	527933071	30
32.8	30.05	28	527932971	29
31.8	29.05	27	527932871	28
30.8	28.05	26	527932771	27
29.8	27.05	25	527932671	26
25.8	23.05	21	527932271	22
23.8	21.05	19	527932071	20
21.8	20.05	18	527931971	19
19.8	17.05	15	527931671	16
17.8	15.05	13	527931471	14
15.8	13.05	11	527931271	12
14.8	12.05	10	527931171	11
13.8	11.05	9	527931071	10
10.8	8.05	6	527930771	7
9.8	7.05	5	527930671	6
8.8	6.05	4	527930571	5
7.8	5.05	3	527930471	4
C	B	A	MATERIAL NO.	極数 CIRCUIT
			52793**71	MODEL NO.

THIS DRAWING CONTAINS INFORMATION THAT IS PROPRIETARY TO MOLEX ELECTRONIC TECHNOLOGIES, LLC AND SHOULD NOT BE USED WITHOUT WRITTEN PERMISSION

EC NO: 108819 DRWN: KMKERUR CHK'D: KTAKAHASHI APPR: TKUSUHARA01	2016/02/03	GENERAL TOLERANCES (UNLESS SPECIFIED)		DIMENSION UNITS	SCALE	
	2016/09/28	ANGULAR TOL ± 3.0 °		MM	10:1	
	2016/09/29	4 PLACES ± 0.2	3 PLACES ± 0.2	DRWN BY	DATE	
		2 PLACES ± 0.25	1 PLACE ± 0.3	KMKERUR	2016/02/03	
		0 PLACES ± 0.3	DRAFT WHERE APPLICABLE MUST REMAIN WITHIN DIMENSIONS		CHK'D BY	
				KTAKAHASHI	2016/09/28	
				APPR BY	DATE	PRODUCT CUSTOMER DRAWING
				TKUSUHARA01	2016/09/29	
				DRAWING SIZE	THIRD ANGLE PROJECTION	
				A3		SERIES: 52793 MATERIAL NUMBER: [blank] CUSTOMER: GENERAL
						DOCUMENT NUMBER: 527931001 DOC TYPE: PSD DOC PART: 000 SHEET NUMBER: 1 OF 2



(仕上がり厚さ 0.3±0.03)
THICKNESS
適合 FPC 推奨寸法
APPLICABLE FPC
RECOMMENDED DIMENSION



参考基板レイアウト (マウント面)
RECOMMENDED P.C.BOARD
PATTERN DIMENSION (REF.)
(MOUNTING AREA)

注記 NOTES:

1. 使用材料 MATERIAL

ハウジング : PPS,UL94V-0
ターミナル : リン青銅 (t=0.25)
メッキ : ニッケル下地
接点部 金メッキ
テール部 錫メッキ
金具 : リン青銅 (t=0.25)
メッキ : ニッケル下地純錫メッキ

HOUSING : PPS,UL94V-0
TERMINAL : PHOSPHOR BRONZE
PLATING : CONTACT AREA : GOLD PLATING
TAIL AREA : TIN PLATING
OVER NICKEL
FITTING NAIL:PHOSPHOR BRONZE
PLATING : TIN OVER NICKEL

△2 基準面 E からの上方向に0.1MAX. 下方向 0.15 MAX. とする。
MISALIGNMENT OF SOLDER TAIL AND FITTING NAIL FROM E

:UPPER DIRECTION 0.1MAX. , LOWER DIRECTION 0.15 MAX.

△3 偶数極に適用。

APPLY FOR EVEN CKT..

4. 本製品は52793シリーズの金メッキ品である。

THIS PRODUCT IS Au PLATING OF 52793 SERIES.

THIS DRAWING CONTAINS INFORMATION THAT IS PROPRIETARY TO MOLEX ELECTRONIC TECHNOLOGIES, LLC AND SHOULD NOT BE USED WITHOUT WRITTEN PERMISSION

EC NO: 108819 DRWN: KMKERUR CHK'D: KTAKAHASHI REV APPR: TKUSUHARA01	2016/02/03	GENERAL TOLERANCES (UNLESS SPECIFIED)	DIMENSION UNITS	SCALE				
	2016/09/28		MM	10:1				
	2016/09/29		4 PLACES ± 0.2	DRWN BY		DATE		
			3 PLACES ± 0.2	KMKERUR		2016/02/03		
		ANGULAR TOL ± 3.0 °	CHK'D BY	DATE	1.0 FFC CONN NON ZIF SMT R/A (UPPER CONTACT) -LEAD FREE-			
		2 PLACES ± 0.25	KTAKAHASHI	2016/09/28				
		1 PLACE ± 0.3	APPR BY	DATE				
		0 PLACES ± 0.3	TKUSUHARA01	2016/09/29				
		DRAFT WHERE APPLICABLE MUST REMAIN WITHIN DIMENSIONS	DRAWING SIZE	THIRD ANGLE PROJECTION	PRODUCT CUSTOMER DRAWING			
			A3		SERIES	MATERIAL NUMBER	CUSTOMER	
					52793		GENERAL	
					DOCUMENT NUMBER	DOC TYPE	DOC PART	SHEET NUMBER
					527931001	PSD	000	2 OF 2