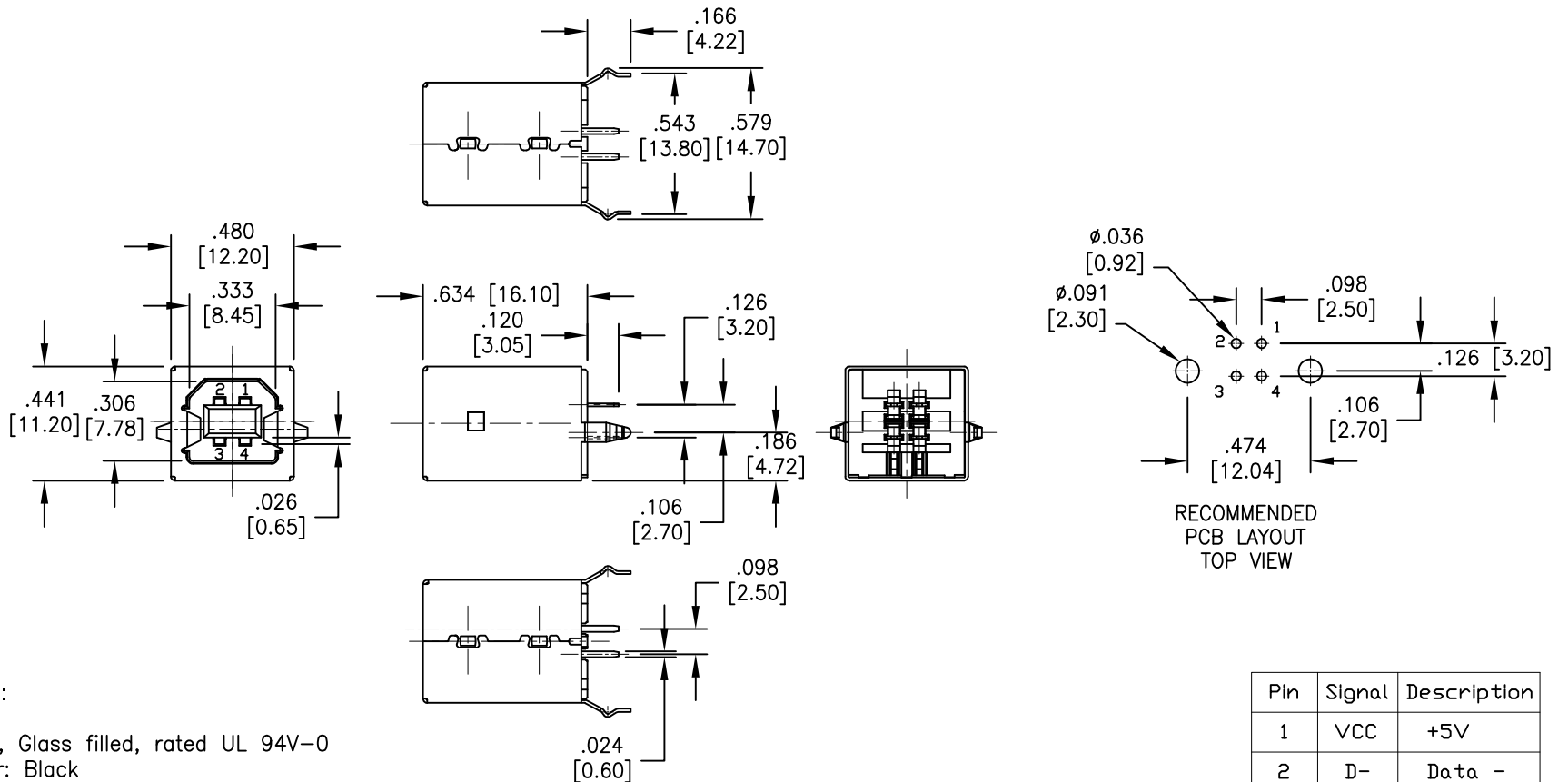


APPROVED: _____

DATE: _____ TITLE: _____

Rev	AWO #	Description	Date	Appr
-		RELEASED	12/3/04	
A		REDRAWN	6/8/11	
B		UPDATED DIM.	9/14/17	HR/TY



RECOMMENDED
PCB LAYOUT
TOP VIEW

Pin	Signal	Description
1	VCC	+5V
2	D-	Data -
3	D+	Data +
4	GND	Ground

SPECIFICATIONS:

Material:
 Insulator: PBT, Glass filled, rated UL 94V-0
 Insulator color: Black
 Contacts: Phosphor Bronze
 Shell: Copper Alloy, nickel plated
 Plating:
 Gold flash over Nickel underplate on contact area, Tin over
 Copper underplate on PCB tails

Electrical:
 Voltage rating: 30 VAC
 Current rating: 1.5 Amp
 Contact resistance: 30 mohms max.
 Insulation resistance: 1000 Mohms min.
 Dielectric withstanding voltage: 500 VAC
 Temperature Rating:
 Operating temperature: -20°C to +60°C

Environmental:
 Lead free, RoHS compliant.

UNLESS OTHERWISE SPECIFIED
 ALL DIMENSIONS ARE INCHES [MM]
 TOLERANCES: EXCEPT AS NOTED

INCHES		HOLES	
.X	± .10	Ø.X	± .10
.XX	± .020	Ø.XX	± .015
.XXX	± .015	Ø.XXX	± .010

APPROVALS		DATE
DRAWN	SS	10/4/04
CHECKED		
APPROVED		

ADAM TECH			
909 Rahway Avenue, Union, NJ 07083 Phone: 908-687-5000 Fax: 908-687-5710			
TITLE		UNIVERSAL SERIAL BUS SINGLE PORT, VERTICAL, PCB	
SIZE	PART NO.	REV.	
X	USB-B-S-VT	B	
REF:	S00005C	SCALE: NTS	SHEET 1 OF 1