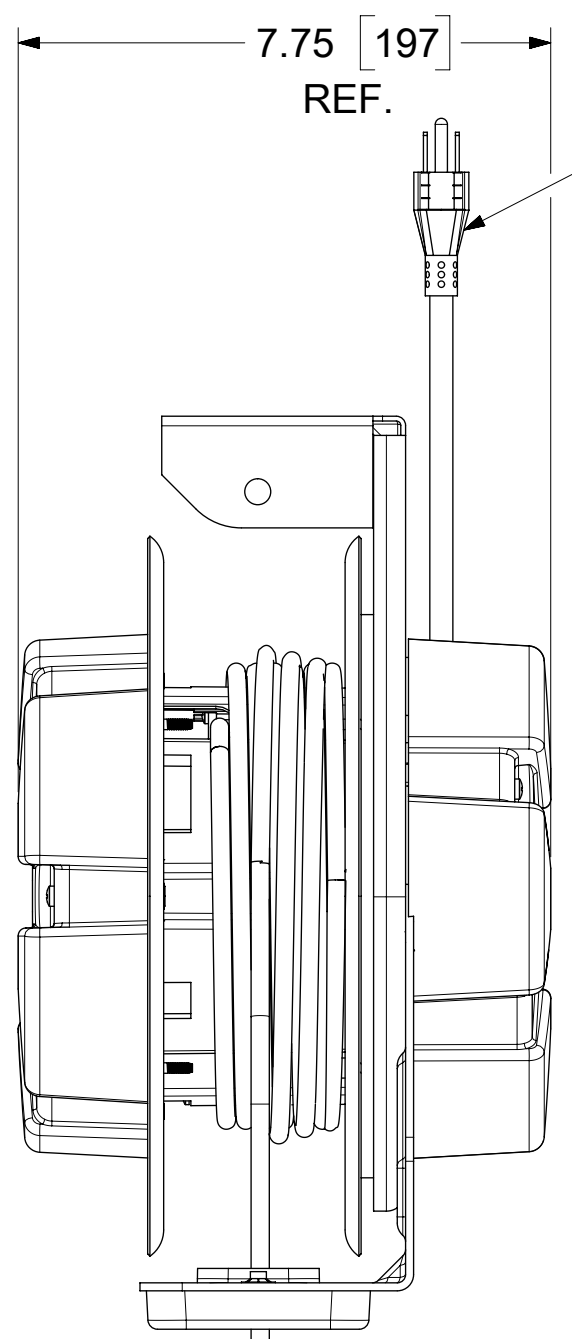
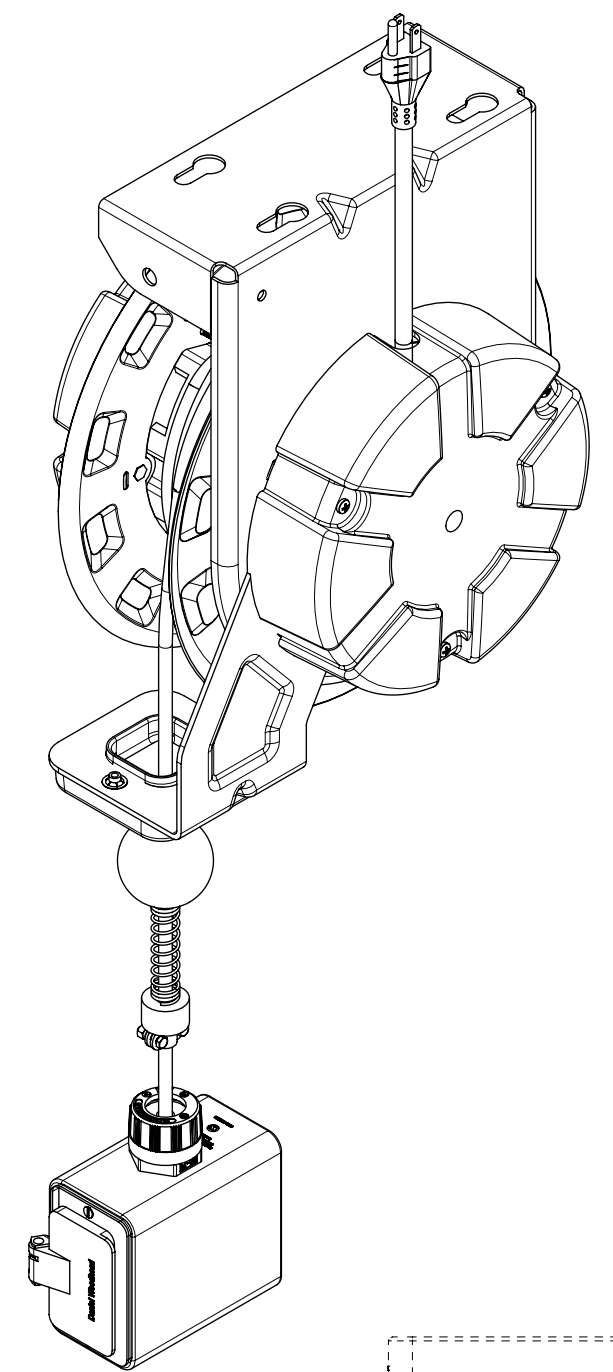
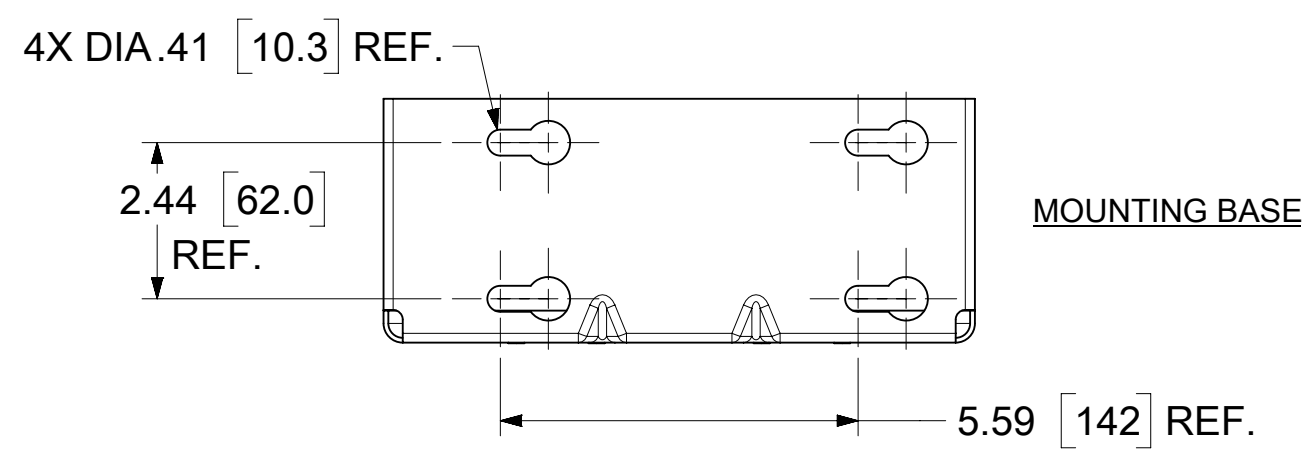


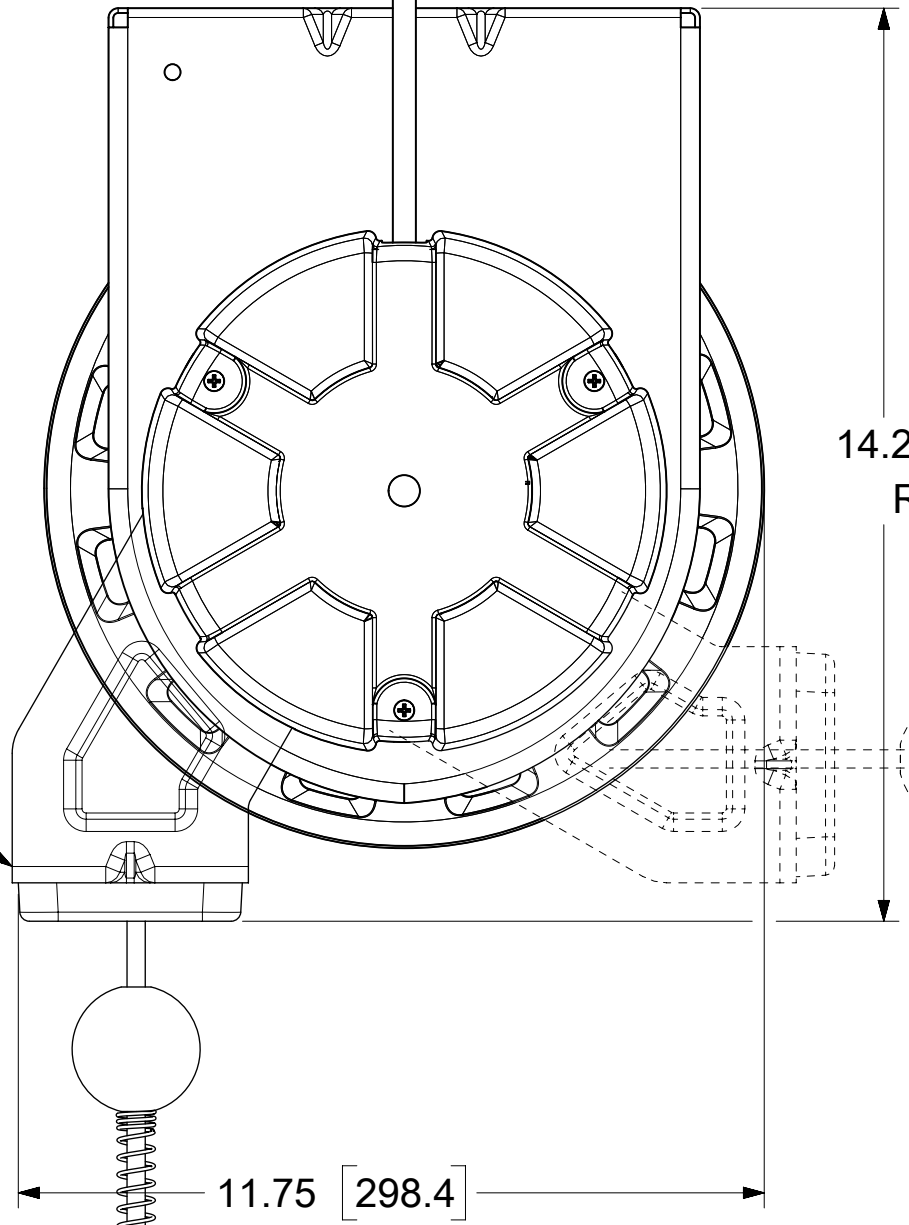
ORDER NO	130091-0059
WOODHEAD ENG. NO	990-3070G
WIRE GAUGE	14
CONDUCTORS	3
AMPERAGE	11A
WORKING CORD	45 FT. YELLOW
CORD TYPE	SJTOW
CONSTRUCTION	STEEL
PAINT	YELLOW POWDER COAT
REEL ENCLOSURE RATING	INDOOR
RETRACTION WEIGHT	2.5 LB [1.133 KG]



NEMA 5-15 MOLDED PLUG



GUIDE ARM CAN ROTATE 90°

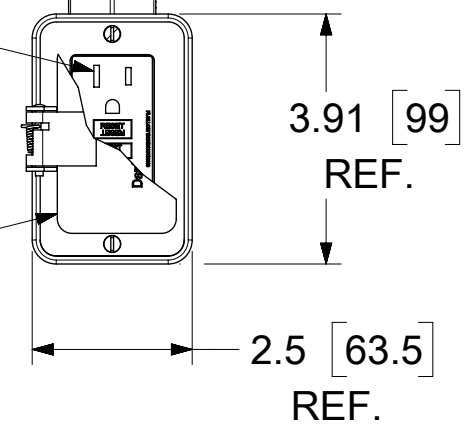


CABLE STOP

ADJUSTABLE CLAMP

NEMA 5-15 GFCI DUPLEX RECEPTACLE, ONE SIDE ONLY

FLIP LID COLOR: YELLOW



BLANK PLATE

NEOTEX RUBBER ENCLOSURE

4.4 [112] REF.

- NOTES:**
1. CABLE GUIDE IS ADJUSTABLE - DUAL POSITION
 2. RATCHET LOCK IS EASY TO DISENGAGE FOR CONSTANT TENSION
 3. REEL CANNOT BE "LOCKED OUT" AT FULL TENSION
 4. CABLE STOP INCULDED

FUNCTIONAL SYMBOLS $F_A = 0$ $F_E = 0$ $F_P = 0$ DIVISIONAL SYMBOLS	THIS DRAWING CONTAINS INFORMATION THAT IS PROPRIETARY TO MOLEX ELECTRONIC TECHNOLOGIES, LLC AND SHOULD NOT BE USED WITHOUT WRITTEN PERMISSION		CURRENT REV DESC: RELEASE CUSTOMER DRAWING		
	DIMENSION UNITS	SCALE	<p>CORD REEL W/3070-GFI BOX 45' #14-3 CORD</p> <p>PRODUCT CUSTOMER DRAWING</p> <p>DOCUMENT NUMBER: 1300910059 DOC TYPE: PSD DOC PART: 000 REVISION: A</p>		
	INCH/MM	NTS			
	GENERAL TOLERANCES (UNLESS SPECIFIED)				
	MM	INCH	EC NO: 661279		
4 PLACES ±	±		DRWN: DSOPPIN	2020/07/02	
3 PLACES ±	± 0.005		CHK'D: DSOPPIN	2022/05/16	
2 PLACES ±	± 0.13	± 0.01	APPR: HKNEELAND	2022/05/19	
1 PLACE ±	± 0.25	± 0.02	INITIAL REVISION:		
0 PLACES ±	±	±	DRWN: DSOPPIN	2020/07/02	
ANGULAR TOL ± 0.5°			APPR:		
DRAFT WHERE APPLICABLE MUST REMAIN WITHIN DIMENSIONS		THIRD ANGLE PROJECTION	DRAWING	SERIES	
			C-SIZE	130091	
DOCUMENT STATUS	P1	RELEASE DATE	2022/05/19	17:11:46	