



92x92x25mm

- Airflow: 25.9~92.5 CFM
- Static Pressure: 2.1~20.7 mm-H₂O
- Blade / Housing: Plastic Material UL 94V-0 P.B.T.
- Lead Wire: UL1007 #24 AWG
- Weight: 117.0 g

Model No.	Bearing	Rated Voltage VDC	Operating Voltage Range VDC	Speed RPM	Max. Airflow CFM	Max. Static Pressure mm-H ₂ O	Current mA	Power Consumption W	Life at 40°C L10 Hour	P-Q Curve	Noise Level dB(A)
QYW09225012BL	2B	12	7~13.2	2000	25.9	2.1	35	0.42	80000	6	16.7
QYW09225012BM	2B	12	7~13.2	3000	39.6	4.6	85	1.02	80000	5	28.2
QYW09225012BH	2B	12	7~13.2	4000	50.3	6.9	145	1.74	75000	4	35.0
QYW09225012BS	2B	12	7~13.2	5000	64.8	10.3	300	3.60	65000	3	41.3
QYW09225012BU	2B	12	7~13.2	6000	78.3	15.7	490	5.88	65000	2	46.5
QYW09225012BV	2B	12	7~13.2	7000	92.5	20.7	750	9.00	60000	1	50.3
QYW09225024BL	2B	24	12~26.4	2000	25.9	2.1	45	1.08	80000	6	16.7
QYW09225024BM	2B	24	12~26.4	3000	39.6	4.6	70	1.68	80000	5	28.2
QYW09225024BH	2B	24	12~26.4	4000	50.3	6.9	100	2.40	75000	4	35.0
QYW09225024BS	2B	24	12~26.4	5000	64.8	10.3	160	3.84	65000	3	41.3
QYW09225024BU	2B	24	12~26.4	6000	78.3	15.7	230	5.52	65000	2	46.5
QYW09225024BV	2B	24	12~26.4	7000	92.5	20.7	340	8.16	60000	1	50.3
QYW09225048BL	2B	48	24~56.0	2000	25.9	2.1	35	1.68	80000	6	16.7
QYW09225048BM	2B	48	24~56.0	3000	39.6	4.6	45	2.16	80000	5	28.2
QYW09225048BH	2B	48	24~56.0	4000	50.3	6.9	70	3.36	75000	4	35.0
QYW09225048BS	2B	48	24~56.0	5000	64.8	10.3	90	4.32	65000	3	41.3
QYW09225048BU	2B	48	24~56.0	6000	78.3	15.7	130	6.24	65000	2	46.5
QYW09225048BV	2B	48	24~56.0	7000	92.5	20.7	180	8.64	60000	1	50.3

2B: 2-ball bearing L: sintetico bearing S: sleeve bearing

Voltage Available

Bearing System Available

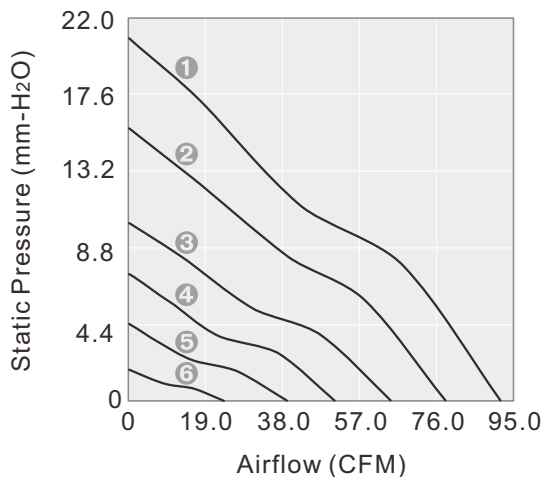
Function Available

05 12 24 48

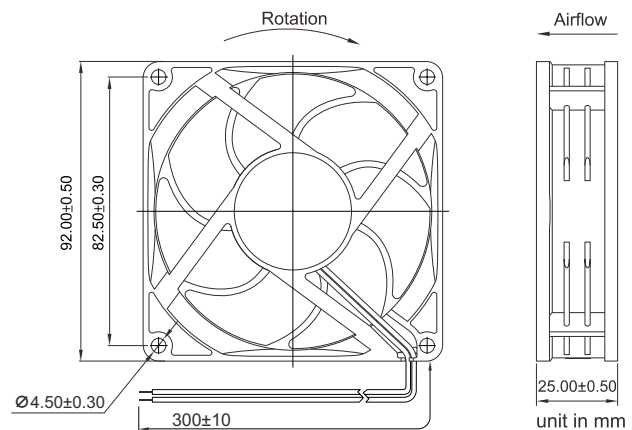
2B L S

N A I F R Q S T M V C P D W U

PERFORMANCE P-Q CURVE



OUTLINE DIMENSIONS



Please refer to *Model Numbering System* for bearing, function and speed level indication. Specifications are subject to changes without notice. Please refer to the formally issued product specification via contacting Y.S. TECH sales department. Visit Y.S. TECH web site at <http://www.ystech.com.tw> for updated information. Customized Specifications are designed accordingly