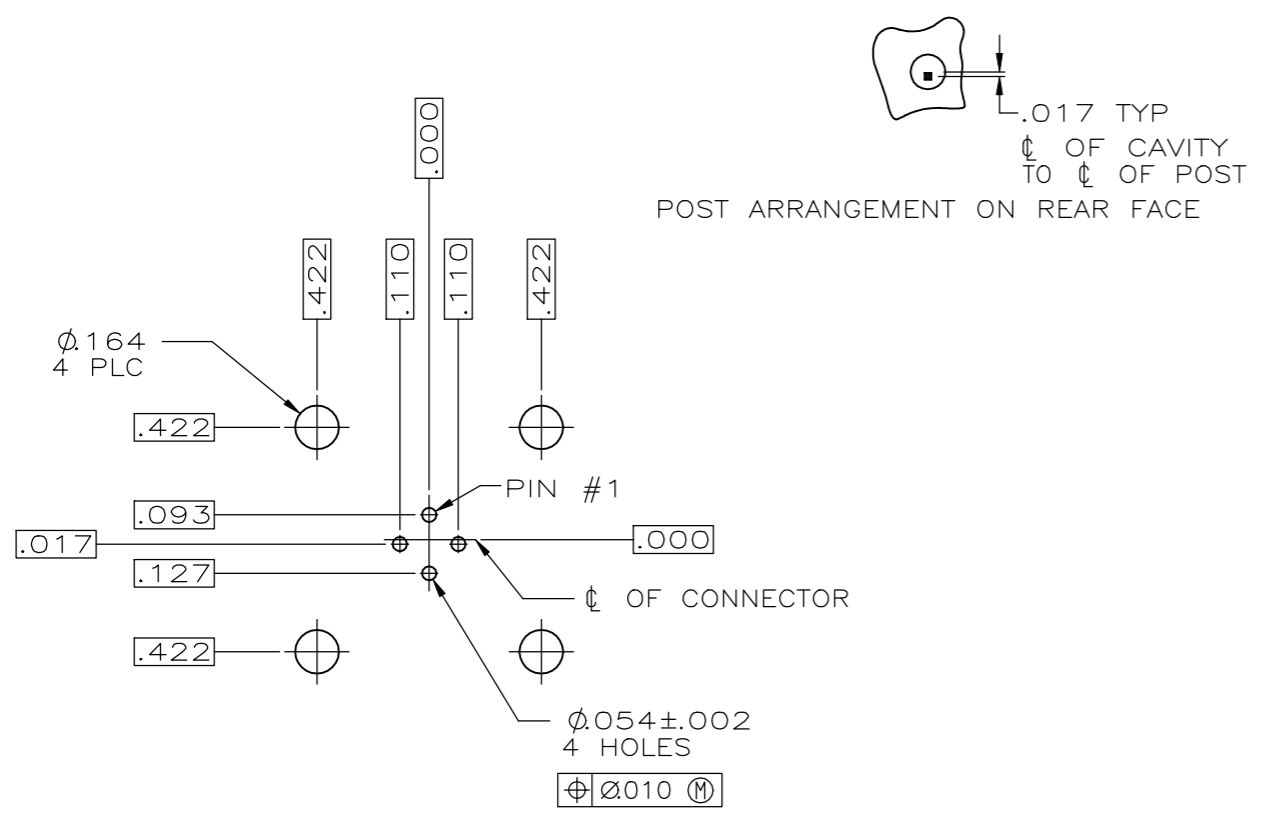
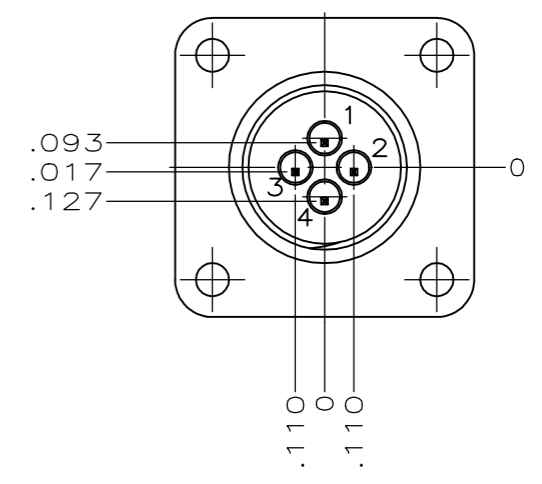
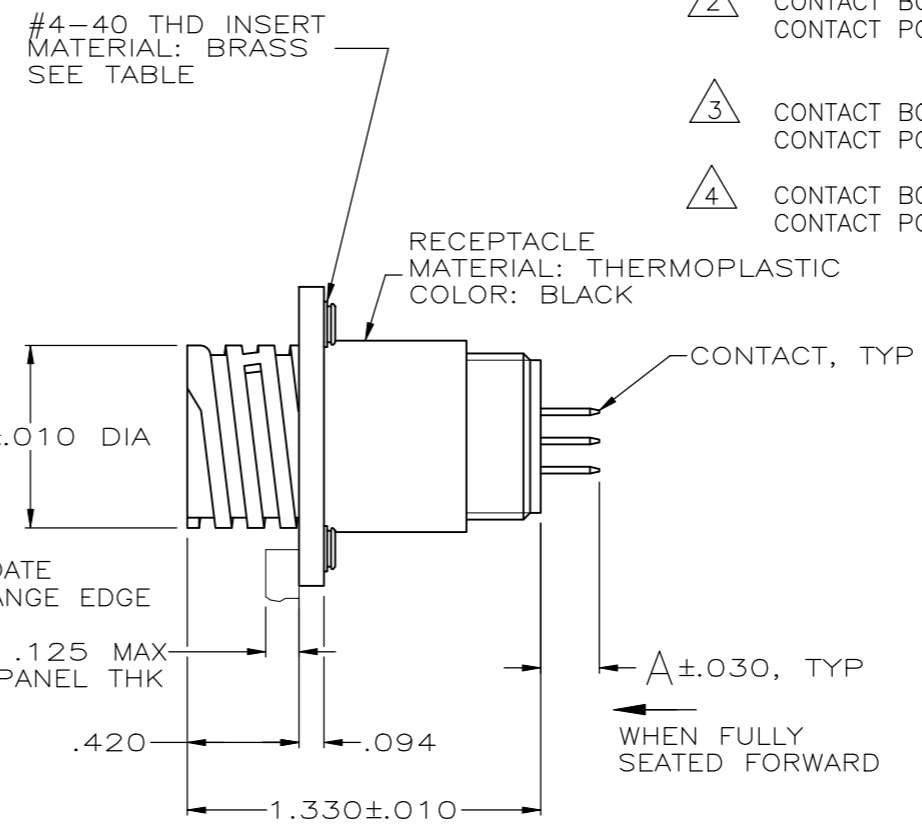
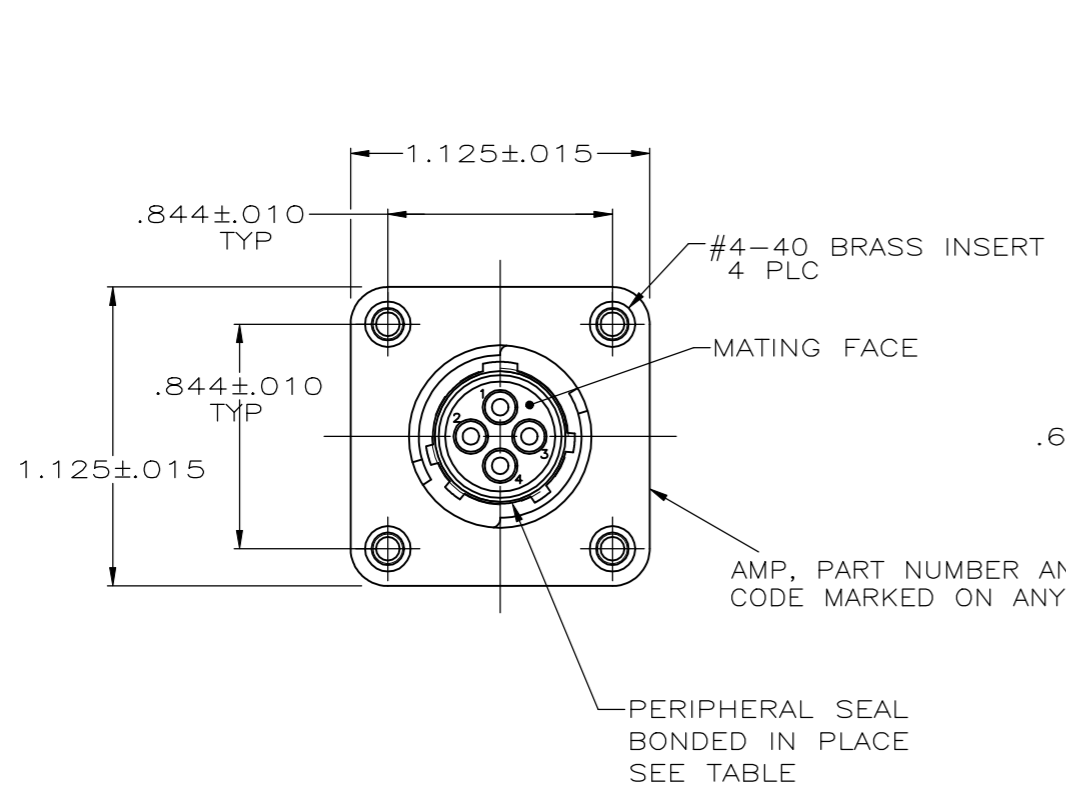


THIS DRAWING IS UNPUBLISHED. RELEASED FOR PUBLICATION. ALL RIGHTS RESERVED.

REVISIONS				
P	LTR	DESCRIPTION	DATE	APVD
T		REVISED PER ECO-18-007248	17MAY2018	KH MZ
T1		REVISED PER ECO-18-016525	22OCT2018	RS MZ

- 1 RECEPTACLE IS LOADED WITH 4 TYPE III+ POSTED PIN CONTACTS.
- △2 CONTACT BODY: GOLD PER MIL-G-45204 OVER NICKEL PER QQ-N-290. CONTACT POST: TIN-LEAD PER MIL-T-10727 OVER COPPER PER MIL-C-14550A.
- △3 CONTACT BODY: GOLD PER MIL-G-45204 OVER NICKEL PER QQ-N-290. CONTACT POST: TIN OVER COPPER PER MIL-C-14550A.
- △4 CONTACT BODY: TIN OVER NICKEL PER MIL-C-14550A. CONTACT POST: TIN OVER NICKEL PER MIL-C-14550A.



	△3	△4	.220	YES	NO	1-207825-5
OBSOLETE	△3	△4	.429	YES	YES	1-207825-4
OBSOLETE	△3	△4	.119	NO	NO	1-207825-2
OBSOLETE	△3	△4	.618	NO	YES	1-207825-1
OBSOLETE	△3	△3	.119	YES	YES	1-207825-0
OBSOLETE	△2	△3	.119	NO	YES	207825-9
OBSOLETE	△2	△2	.220	YES	NO	207825-8
OBSOLETE	△2	△2	.429	YES	YES	207825-7
OBSOLETE	△2	△2	.119	NO	NO	207825-6
OBSOLETE	△2	△2	.119	NO	NO	207825-5
OBSOLETE	△2	△2	.618	NO	YES	207825-4
OBSOLETE	△2	△2	.119	YES	YES	207825-3
OBSOLETE	△2	△2	.220	NO	YES	207825-2
OBSOLETE	△2	△2	.119	NO	YES	207825-1
CONTACT FINISH	A		PERIPHERAL SEAL	THREADED INSERTS	PART NUMBER	

THIS DRAWING IS A CONTROLLED DOCUMENT.

DWN: R.LEE BG 7-1-91  
CHK: W.G.LENKER 4-14-92  
APVD: -

PRODUCT SPEC: 108-10024  
APPLICATION SPEC: -

TE Connectivity  
RECEPTACLE ASSEMBLY, POSTED, STD SEX, SERIES 1, 11-4, CPC

SIZE: A2 CAGE CODE: 00779 DRAWING NO: C=207825 RESTRICTED TO: -

MATERIAL: - CONTACT: △2 WEIGHT: - SCALE: 2:1 SHEET: 1 of 1 REV: T1