

General Specifications

Electrical Capacity (Resistive Load)

| | |
|---------------------|-----------------------------|
| Power Level: | 10A @ 125/250V AC |
| | 6A @ 125/250V AC (UL/CSA) |
| | 5A (3A) @ 125/250V AC (VDE) |

Other Ratings

| | |
|---------------------------------|--|
| Contact Resistance: | 10 milliohms maximum |
| Insulation Resistance: | 500 megohms minimum @ 500V DC |
| Dielectric Strength: | 2,000V AC minimum between contacts for 1 minute minimum; 4,000V AC minimum between contacts & case for 1 minute minimum |
| Mechanical Life: | 30,000 operations minimum |
| Electrical Life: | 10,000 operations minimum |
| Nominal Operating Force: | Single Pole 3.92N & Double Pole 5.39N |
| Angle of Throw: | 30° |

Materials & Finishes

| | |
|-----------------------------|--|
| Rocker: | Polyamide (UL94V-2) |
| Housing/Case: | Polyamide (UL94V-0) |
| Movable Contactor: | Copper with silver plating |
| Movable Contacts: | Silver alloy |
| Stationary Contacts: | Silver alloy |
| End Terminals: | Brass with silver plating |
| Common Terminals: | Copper with silver plating |
| Lamp Terminals: | Phosphor bronze with tin plating (illuminated models only) |

Environmental Data

| | |
|------------------------------|--|
| Operating Temp Range: | -25°C through +70°C (-13°F through +158°F) for nonilluminated models; -25°C through +50°C (-13°F through +122°F) for illuminated models |
| Humidity: | 90 ~ 95% humidity for 96 hours @ 40°C (104°F) |
| Vibration: | 10 ~ 55Hz with peak-to-peak amplitude of 1.5mm traversing the frequency range & returning in 15 minutes; 3 right angled directions for 2 hours |
| Shock: | 50G (490m/s ²) acceleration (tested in 6 right angled directions, with 5 shocks in each direction) |
| Sealing: | Dust resistant inner seal |

Installation

| | |
|-------------------|---|
| Soldering: | Manual Soldering: See Profile A in Supplement section. |
| Cleaning: | These devices are not process sealed. Hand cleaning locally using alcohol based solution. |

Standards & Certifications

| | |
|--------------------------------|--|
| Flammability Standards: | UL94V-2 for rocker UL94V-0 for housing/case |
| UL: | File No. E44145 All JWS models recognized at 6A @ 125/250V AC |
| CSA: | File No. 023535_0_000 All JWS models certified at 6A @ 125/250V AC |
| VDE: | License No. 119153 All JWS models approved at 5A (3A) @ 125/250V AC |

Distinctive Characteristics

Rocker caps and housing available in a variety of colors.

Protective barrier available to prevent accidental actuation.

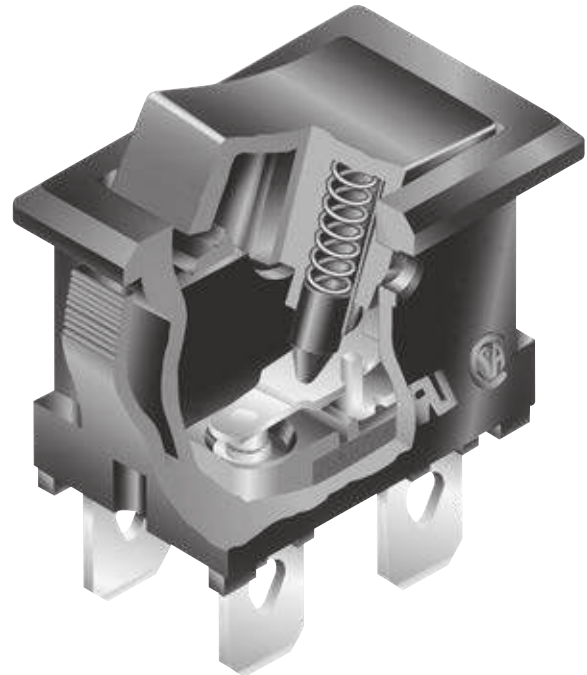
Constructed for dust resistance with interior cover of polyamide between actuator and contact area.

Easy, crisp actuation.

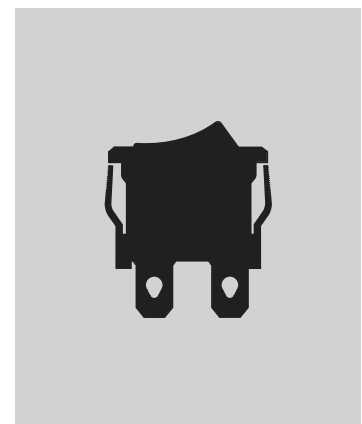
Small size well suited for telecommunication, measuring, automation, and consumer applications.

Terminals are molded in to lock out flux, dust, and other contaminants.

Outer case of heat resistant resin meets UL94V-0 flammability standard.

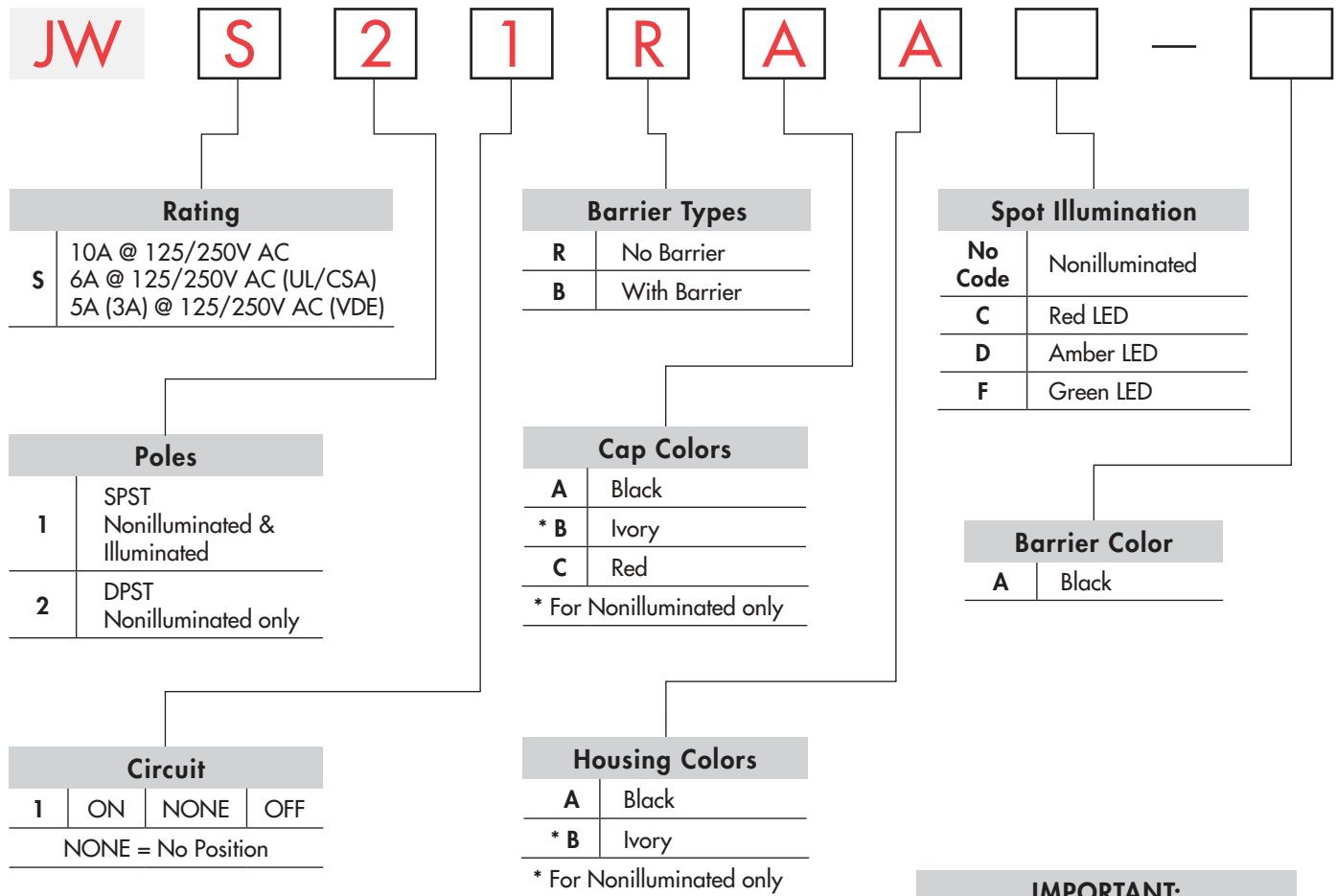


Actual Size



| |
|------------------|
| Toggle |
| B Rockers |
| Pushbuttons |
| Illuminated PB |
| Programmable |
| Keylocks |
| Rotaries |
| Slides |
| Tactiles |
| Tilt |
| Touch |
| Indicators |
| Accessories |
| Supplement |

TYPICAL SWITCH ORDERING EXAMPLE



IMPORTANT:

 cULus & VDE markings are standard on all models. Models & specific ratings are noted on General Specifications page.

DESCRIPTION FOR TYPICAL ORDERING EXAMPLE

JWS21RAA





Toggles
 Rockers **B**
 Pushbuttons
 Illuminated PB
 Programmable
 Keylocks
 Rotaries
 Slides
 Tactiles
 Tilt
 Touch
 Indicators
 Accessories
 Supplement

RATING

| | | | | |
|----------|--------------------|-------------------|---------------------------|-----------------------------|
| S | Power Level | 10A @ 125/250V AC | 6A @ 125/250V AC (UL/CSA) | 5A (3A) @ 125/250V AC (VDE) |
|----------|--------------------|-------------------|---------------------------|-----------------------------|

POLES & CIRCUITS

| Pole | Model | Rocker Position NONE = No Position | | | Connected Terminals | | | Throw & Schematics |
|------|-------|---------------------------------------|--------|-----|---------------------|--------|------|--|
| | | Down | Center | Up | Down | Center | Up | |
| SP | JWS11 | ON | NONE | OFF | 2-3 | OPEN | OPEN | SPST  |
| DP | JWS21 | ON | NONE | OFF | 1-3 4-6 | OPEN | OPEN | DPST  |

BARRIER TYPES & COLORS

R No Barrier

No-barrier type has a flat flange which is an integral part of the switch.



B With Barrier

Barrier Material: Polyamide
Finish: Matte

Barrier AT219 is factory assembled.
Dimensions for barrier are shown in the Accessories section.



Barrier Color Available: **A** Black

CAP COLORS



Cap Material: Polyamide
Finish: Matte

Rocker cap is an integral part of the switch and not available separately.
* Ivory for nonilluminated models only.

Cap Colors Available:

A Black

B * Ivory

C Red

HOUSING

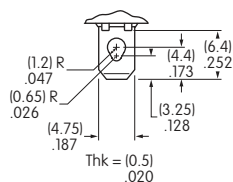
Material: Polyamide
Finish: Matte

Colors Available:

A Black

B Ivory (for nonilluminated models only)

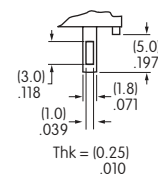
TERMINALS



Switch

Solder Lug/.187" (4.75mm) Quick Connect

Switch assembly with connectors is not UL, CSA, C-UL, or VDE approved.



Lamp
(spot illuminated models only)

LED COLORS & SPECIFICATIONS FOR SPOT ILLUMINATED MODELS

LEDs are supplied as an integral part of illuminated devices and are not available separately. LED polarity markings are on the bottom of the switch.

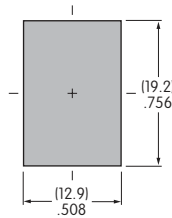
The electrical specifications shown here are determined at a basic temperature of 25°C.

If the source voltage exceeds the rated voltage, a ballast resistor is required. The resistor value can be calculated by using the formula in the Supplement section.



| | | C | D | F |
|-----------------------------------|--------------|--|----------|----------|
| | Color | Red | Amber | Green |
| Maximum Forward Current | I_{FM} | 30mA | 20mA | 30mA |
| Typical Forward Current | I_F | 10mA | 10mA | 10mA |
| Forward Voltage | V_F | 1.8V | 2.0V | 2.1V |
| Maximum Reverse Voltage | V_{RM} | 5V | 5V | 5V |
| Current Reduction Rate Above 25°C | ΔI_F | No Current Reduction Rate Within Specified Operating Temperature | | |
| Ambient Temperature Range | | -25°C ~ +50°C | | |

PANEL CUTOUT & PANEL THICKNESS RANGES



Panel Thickness Ranges:

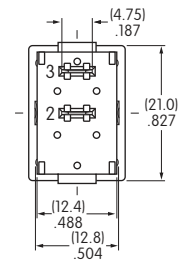
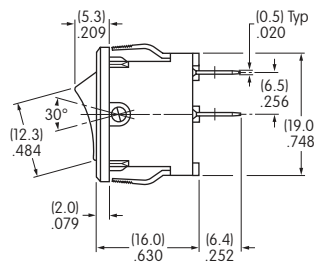
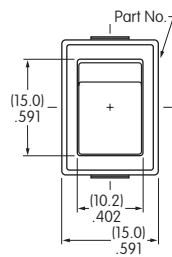
Without Barrier:
.030" ~ .079" (0.75mm ~ 2.0mm)

With Barrier:
.024" ~ .059" (0.6mm ~ 1.5mm)

TYPICAL SWITCH DIMENSIONS

Nonilluminated • No Barrier

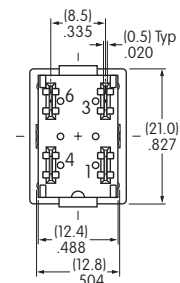
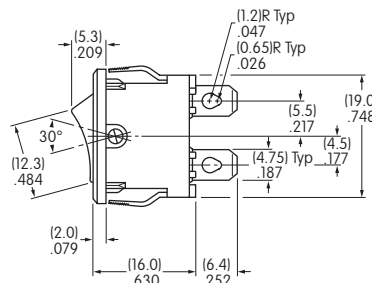
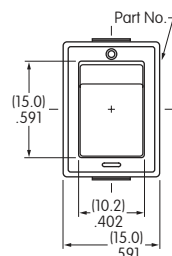
Single Pole



JWS11RCA

Nonilluminated • No Barrier

Double Pole



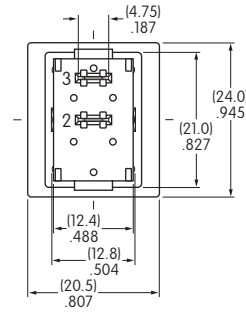
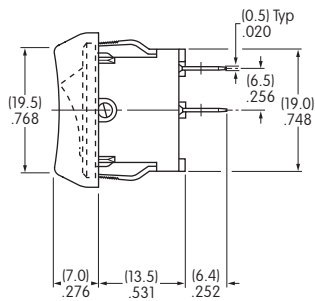
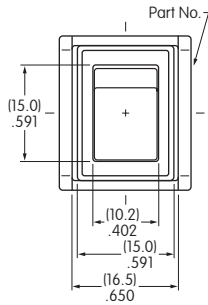
JWS21RAA

DPST models have IEC symbols for On-Off on the flange.

TYPICAL SWITCH DIMENSIONS

Single Pole

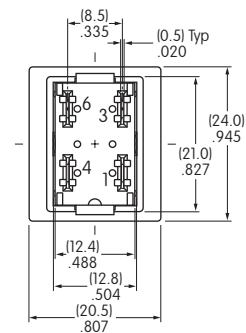
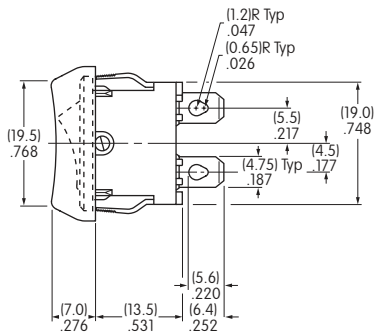
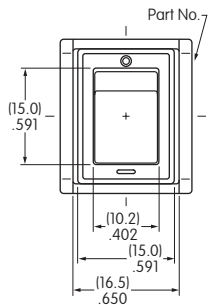
Nonilluminated • With Barrier



JWS11BBA-A

Double Pole

Nonilluminated • With Barrier

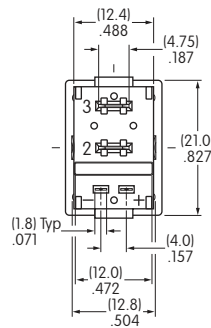
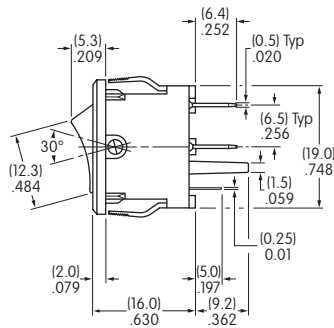
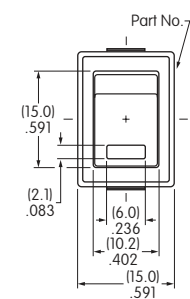


JWS21BAA-A

DPST models have IEC symbols for On-Off on the flange.

Single Pole

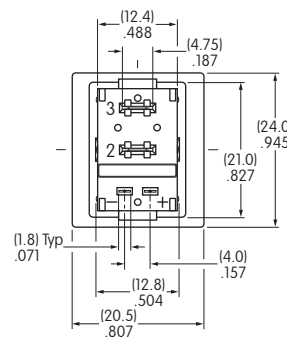
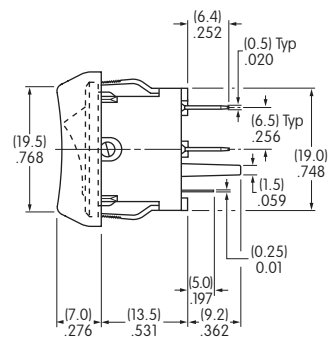
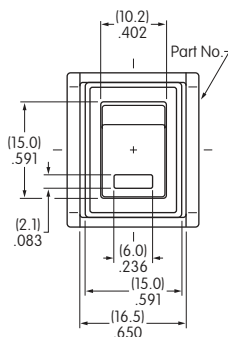
Spot Illuminated • No Barrier



JWS11RCAF

Single Pole

Spot Illuminated • With Barrier



JWS11BAAF-A

Toggles

B Rockers

Pushbuttons

Illuminated PB

Programmable

Keylocks

Rotaries

Slides

Tactiles

Tilt

Touch

Indicators

Accessories

Supplement