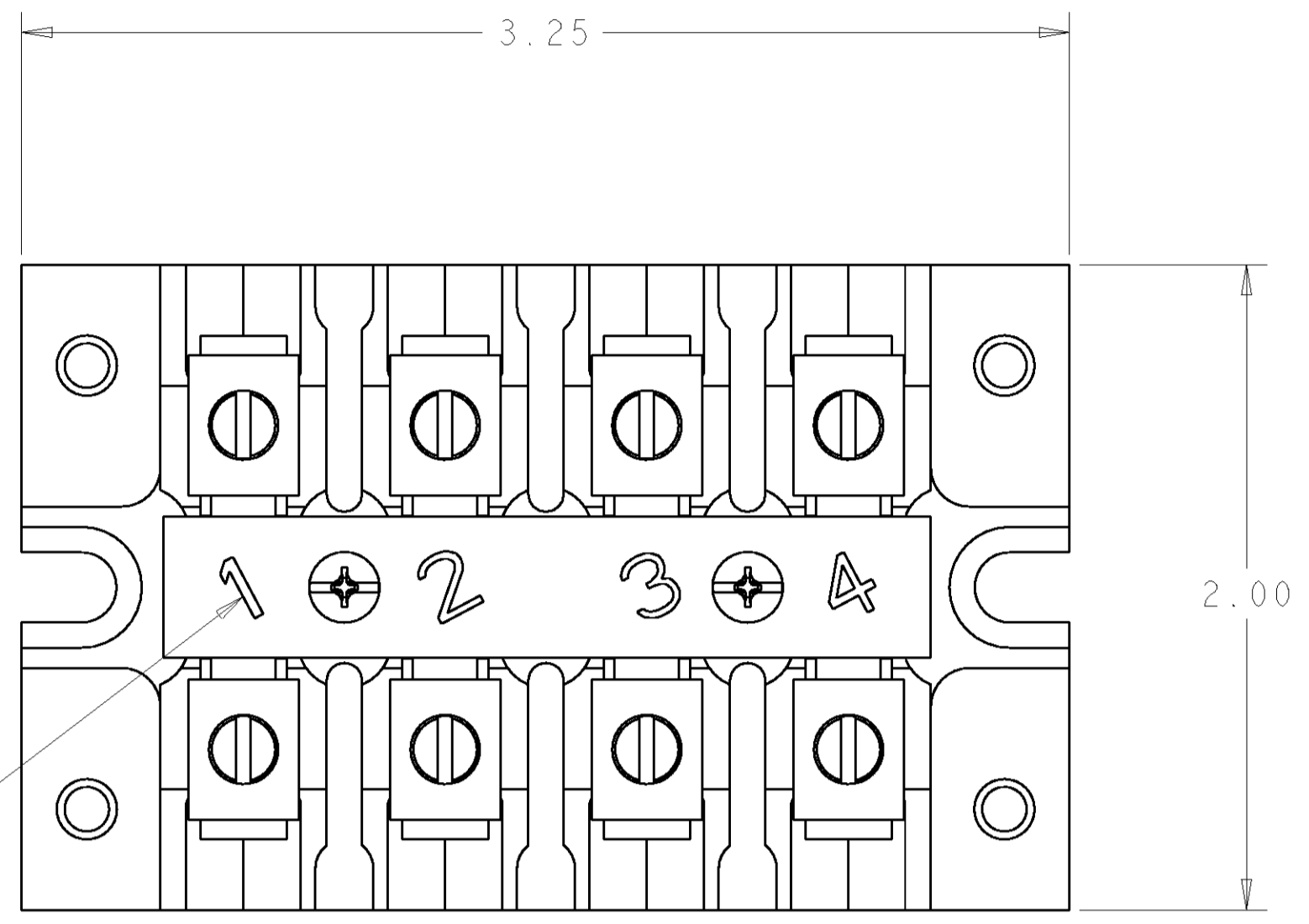
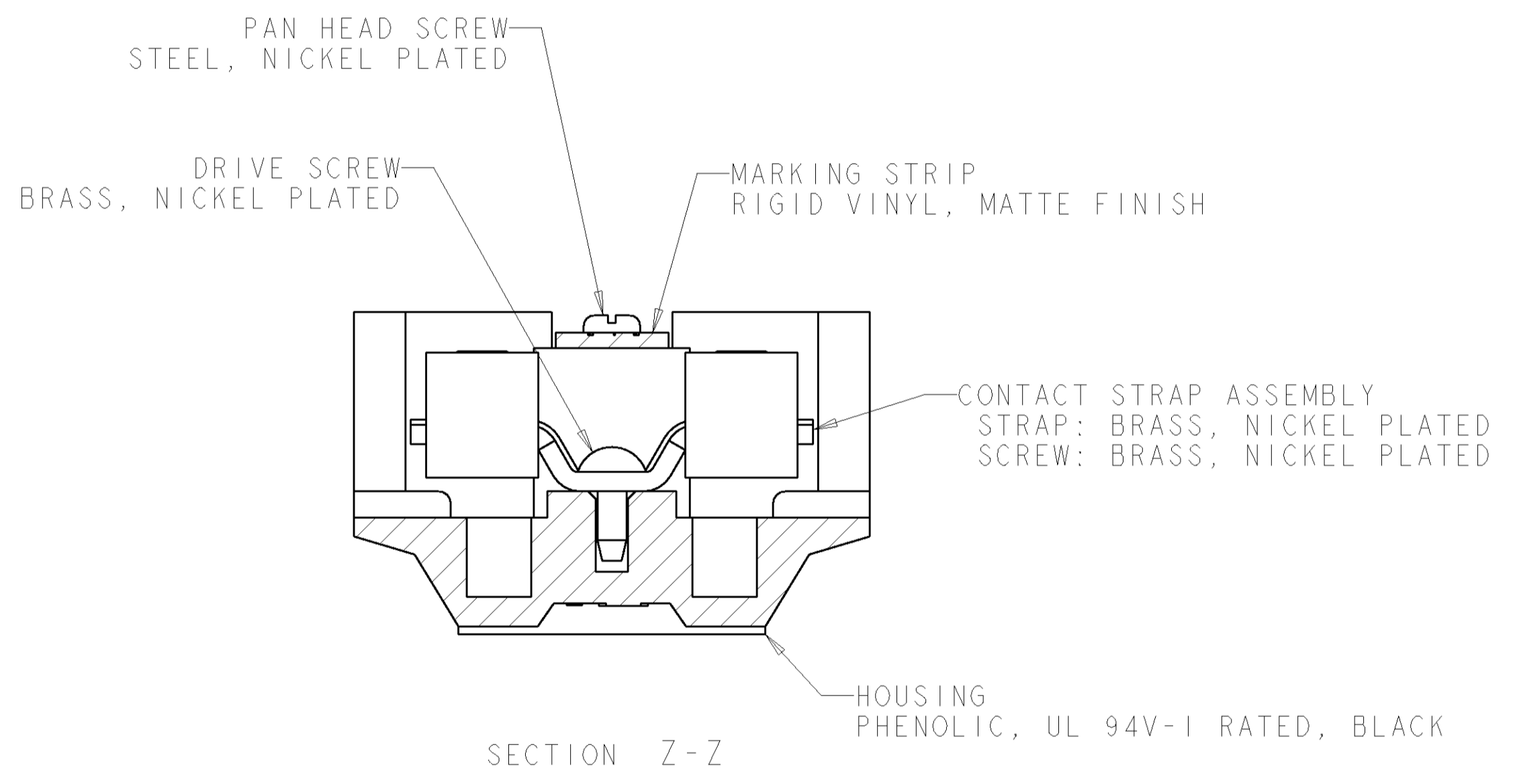
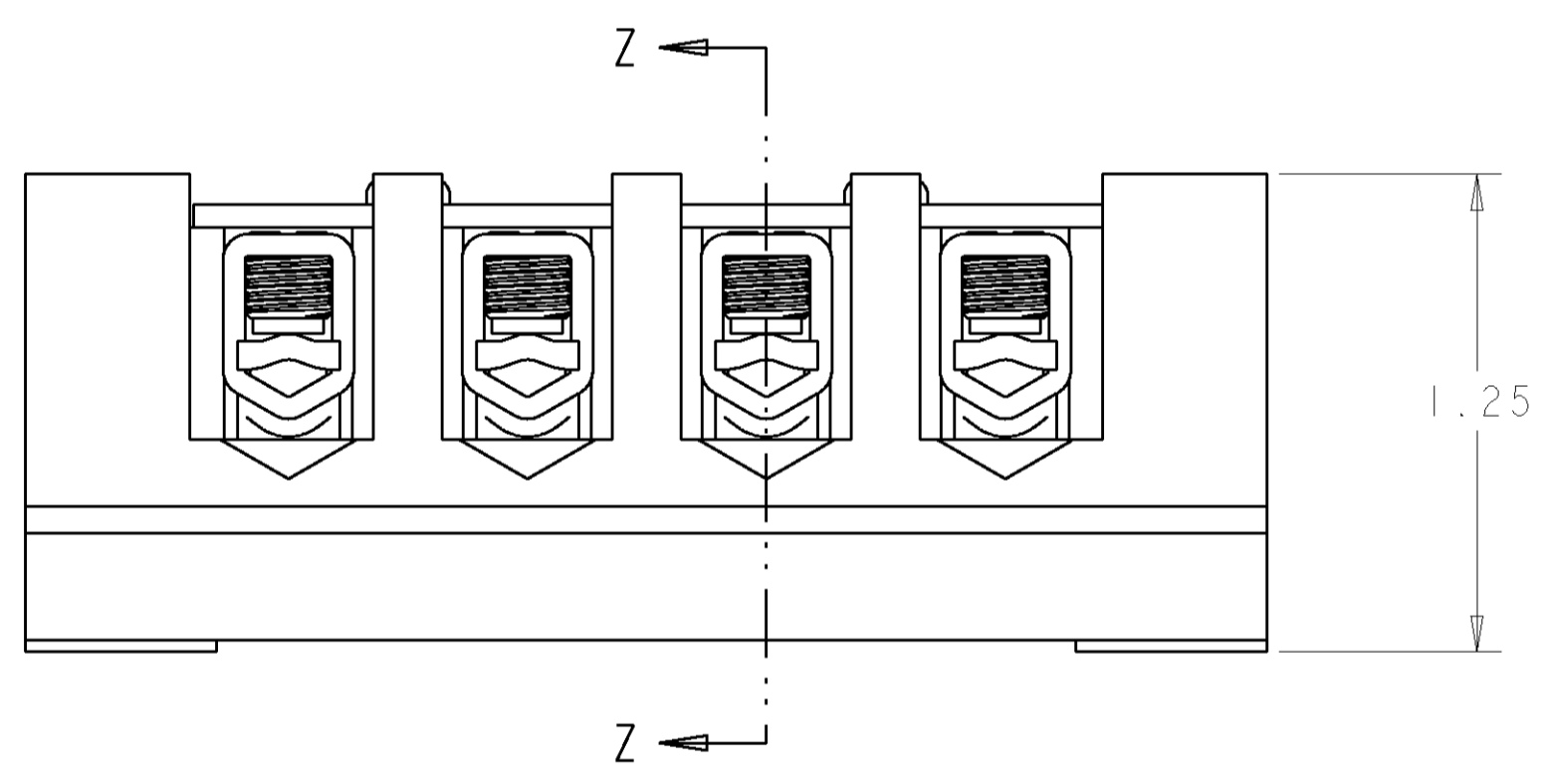


LOC		DIST		REVISIONS			
FT	0	P	LTR	DESCRIPTION	DATE	DWN	APVD
		A		REVISED EC 063B-0941-03	17MAR2004	SW	SY



MARKING, SEE TABLE

1. ALL PARTS TO BE ASSEMBLED AS SHOWN.  
 △ CHARACTERS INK STAMPED WHITE ON BLACK SIDE OF MARKING STRIP.



OBSOLETE	△	4	B104SN	3-1437382-8
-	-	4	B104S	3-1437382-6
STATUS	MARKING	NO OF POSN	CATALOG NUMBER	PART NUMBER

DIMENSIONS: INCHES 		TOLERANCES UNLESS OTHERWISE SPECIFIED: 0 PLC ±.0 1 PLC ±0.01 2 PLC ±0.01 3 PLC ±0.005 4 PLC ±0.000 ANGLES ±.		DWN S. WELDON 17MAR2004 CHK S. YODER 17MAR2004 APVD S. YODER 17MAR2004		BUCHANAN Tyco Electronics Harrisburg, PA 17105-3608	
MATERIAL - FINISH -		WEIGHT - CUSTOMER DRAWING		NAME BLOCK ASSEMBLY, ONE PIECE, .625 PITCH PRODUCT SPEC - APPLICATION SPEC -		SIZE CAGE CODE DRAWING NO RESTRICTED TO A 00779 C-3-1437382-6 -	
SCALE 2:1				SHEET 1 OF 1		REV A	