

NOTES:

1. MATERIALS AND FINISHES:

- BODY - BRASS, NICKEL PLATING
- CONTACT - BeCu, GOLD PLATING
- INSULATOR - PTFE, NATURAL
- COUPLING NUT - BRASS, NICKEL PLATING
- RETAINING RING - SUS 304, NATURAL
- GASKET - SILICONE, RED

2. ELECTRICAL:

- A. IMPEDANCE: 50 OHM
- B. FREQUENCY RANGE: DC-18 GHz
- C. VSWR: 1.065 MAX. DC-6 GHz  
1.12 MAX. 6-12 GHz  
1.24 MAX. 12-18 GHz
- D. DIELECTRIC WITHSTANDING VOLTAGE: 1000 VRMS, MIN.

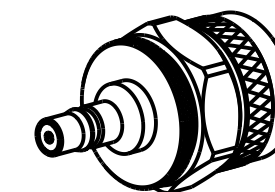
3. MECHANICAL:

- A. DURABILITY: FOR TYPE N, SIDE 100 CYCLES MIN, FOR QMA AIDE 500 CYCLES MIN
- B. TEMPERATURE RANGE: -65°C TO 165°C

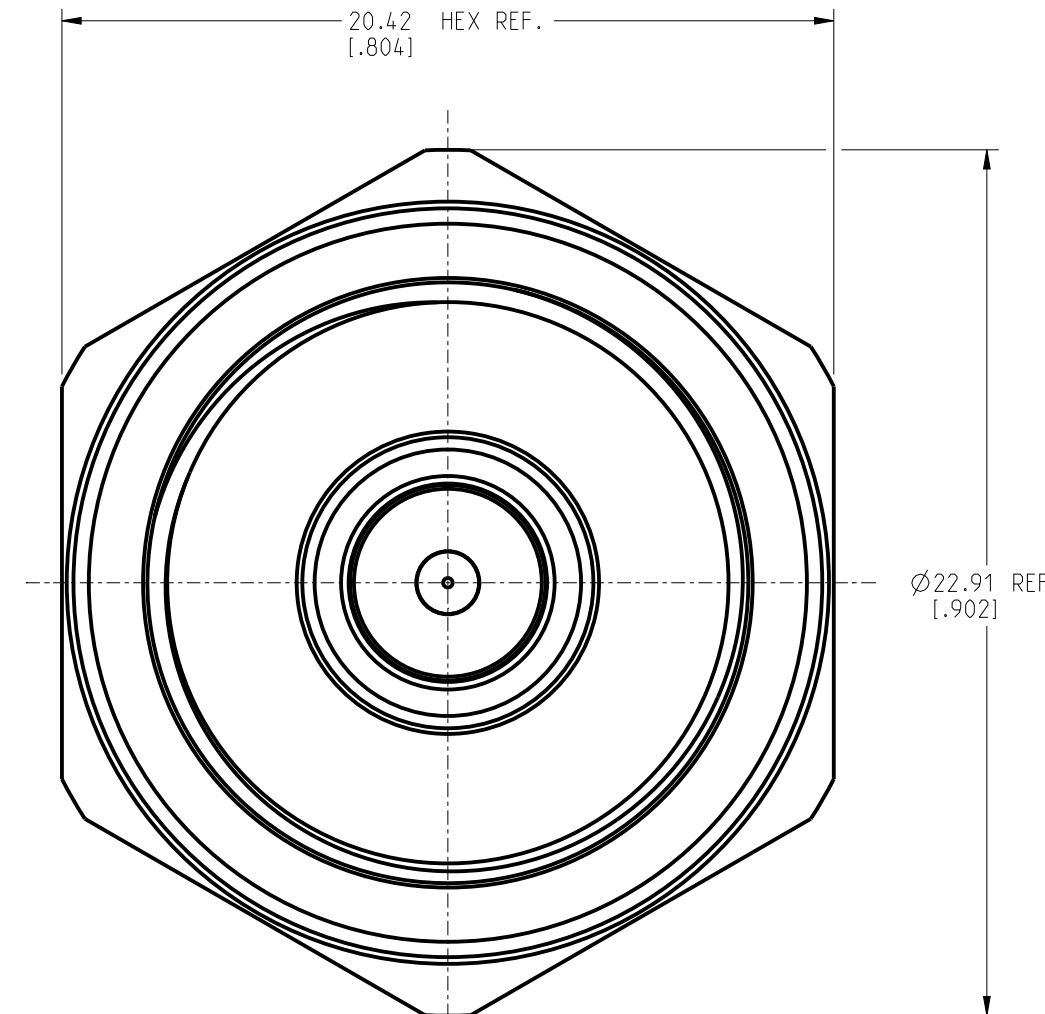
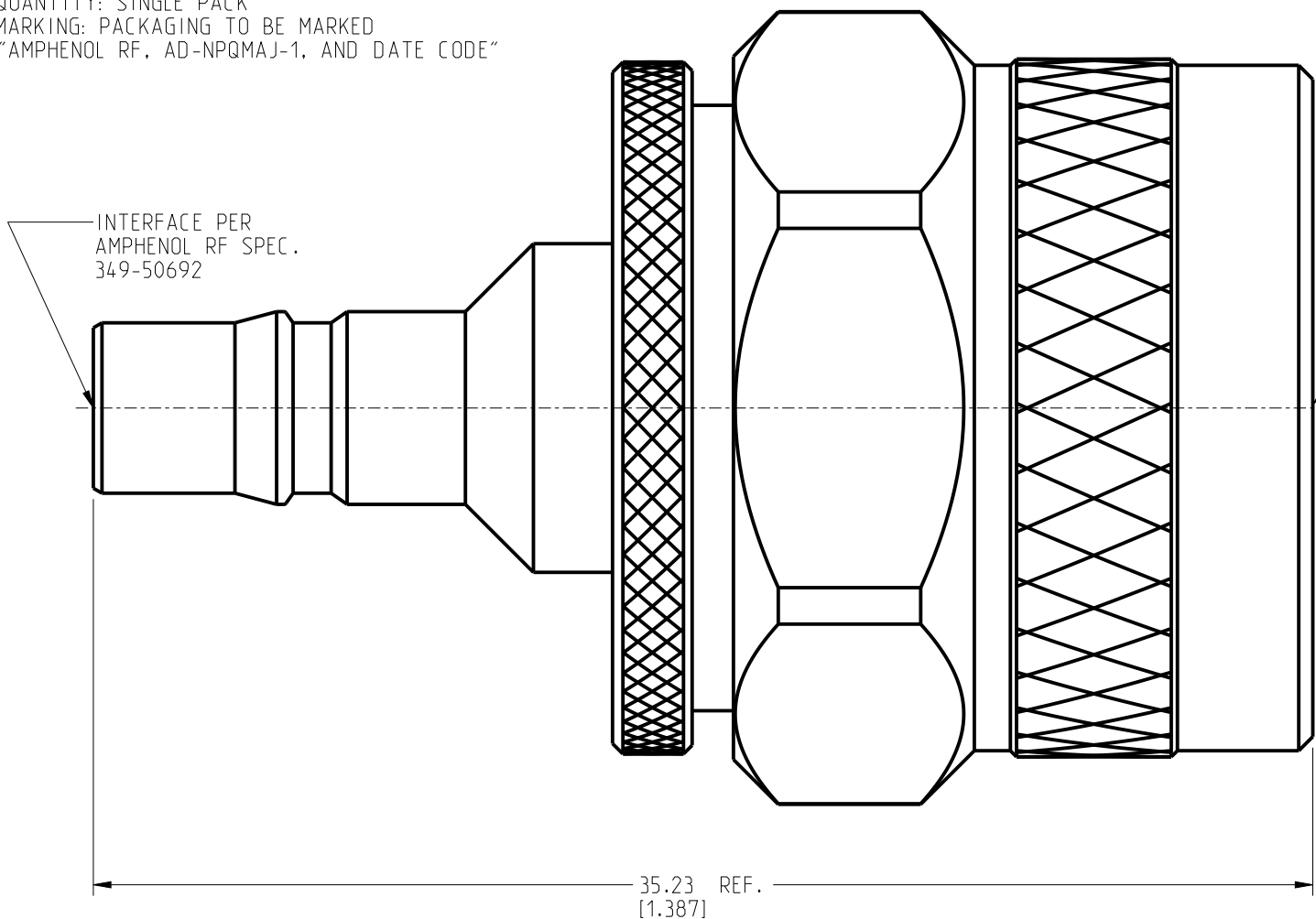
4. PACKAGING:

- A. QUANTITY: SINGLE PACK
- B. MARKING: PACKAGING TO BE MARKED  
"AMPHENOL RF, AD-NPQMAJ-1, AND DATE CODE"

REVISIONS				
REV	DESCRIPTION	DATE	ECN	BY
A	RELEASE TO MFG.	11/9/2020	15397	MM
B	ZONE(D.5): NOTE 2C: WAS 1.15 MAX IS 1.24 MAX	11/24/2020	15428	DG



SCALE 1.000



**CUSTOMER OUTLINE DRAWING**  
ALL OTHER SHEETS ARE FOR INTERNAL USE ONLY

NOTICE: These drawings, specifications, or other data (1) are, and remain the property of Amphenol corp. (2) must be returned upon request; and (3) are confidential and not to be disclosed to any person other than those to whom they are given by Amphenol Corp. The furnishing of these drawings, specifications, or other data by Amphenol Corp., or to any other person to anyone for any purpose is not to be regarded by implication or otherwise in any manner licensing, granting rights to permitting such holder or any other person to manufacture, use or sell any product, process or design, patented or otherwise, that may in any way be related to or disclosed by said drawings, specifications, or other data.

UNLESS OTHERWISE SPECIFIED  
DIMENSIONS ARE METRIC (INCHES) AND TOLERANCES ARE:  
 <0.5mm = ±0.05mm [ $<0.020 = \pm 0.002$ ]  
 >0.5 - 6mm = ±0.1mm [ $>0.020 - 0.236 = \pm 0.004$ ]  
 >6.00 - 30mm = ±0.2mm [ $>0.236 - 1.181 = \pm 0.008$ ]  
 >30.00 - 120mm = ±0.3mm [ $>1.181 - 4.725 = \pm 0.012$ ]  
 ANGLES = ±1°

MATERIAL ---  
 ENGINEER E.W.U  
 DATE 13-NOV-20

TITLE  
 ADAPTER  
 TYPE N PLUG TO QMA  
 JACK  
 SHEET NO. 2 OF 2  
 SCALE: 5.0:1.0

Amphenol RF  
 DRAWING NO. AD-NPQMAJ-1  
 ITEM NO. AD-NPQMAJ-1  
 PART NO. AD-NPQMAJ-1  
 REV B

THIRD ANGLE PROJ.

REFERENCE ---  
 EAR# 9047