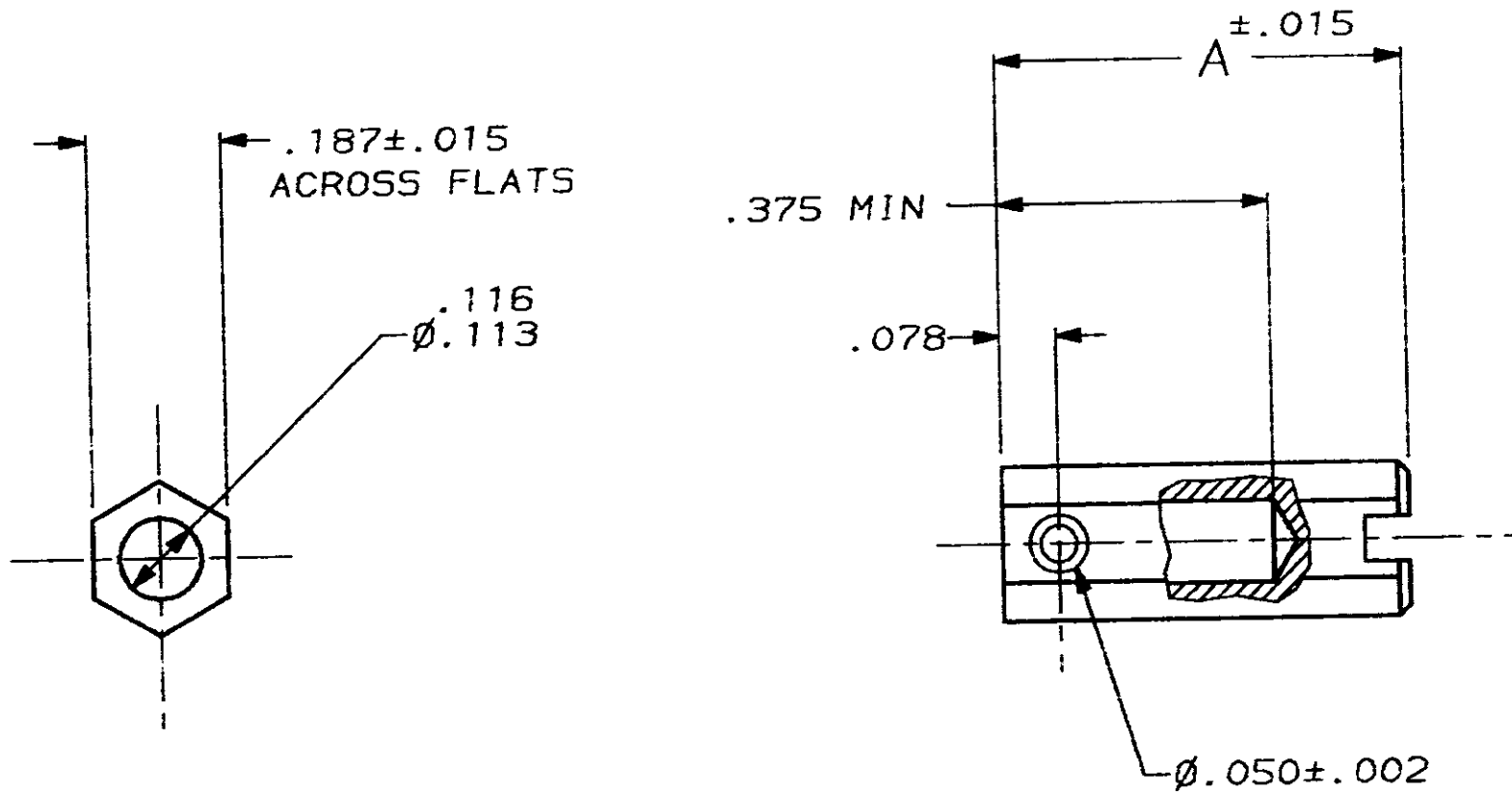


DRAWING MADE IN THIRD ANGLE PROJECTION

THIS DRAWING IS UNPUBLISHED. RELEASED FOR PUBLICATION .19
 © COPYRIGHT 19 BY AMP INCORPORATED. ALL INTERNATIONAL RIGHTS RESERVED.

LOC	DIST	P	F	ZONE	LTR	DESCRIPTION	DATE	APPO
AR	39	5	✓		J	REDRAWN AR2290	1-89	-



.400	2	1	87184-6
.562	2	1	87184-2
A	FINISH	MATERIAL	PART NO.

1 STAINLESS STEEL
 2 PASSIVATED

DO NOT SCALE PRINT. UNLESS SPECIFIED DIMENSIONS IN INCHES TOLERANCES ON: 2 PLC DEC ± - 3 PLC DEC ± .005 ANGLES ± -		DR 1-31-89 C. OBERMAN	AMP INCORPORATED Harrisburg, Pa. 17105	
MATERIAL SEE TABLE	CHK - APPD - APPB -	2-1-89 2-1-89 2-1-89	NAME BODY, JACKSCREW	
FINISH SEE TABLE	PRODUCT SPEC -	APPLICATION SPEC -	SIZE B	FSCN NO 00779
	WEIGHT -		DRAWING NO 87184	
			SCALE 4:1	SHEET 1 OF 1

CUSTOMER DRAWING