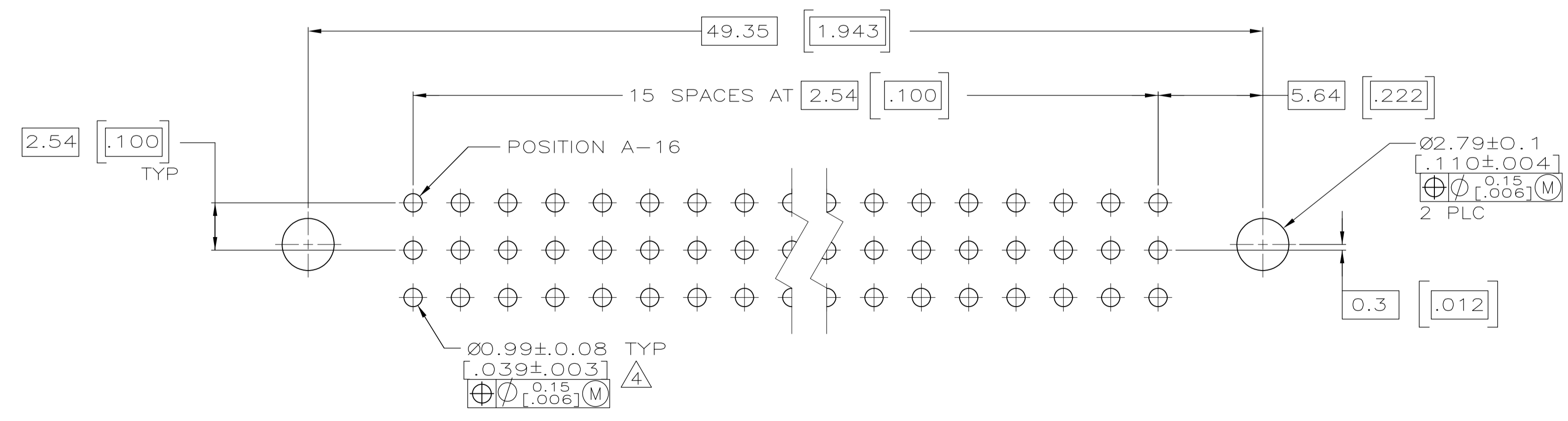
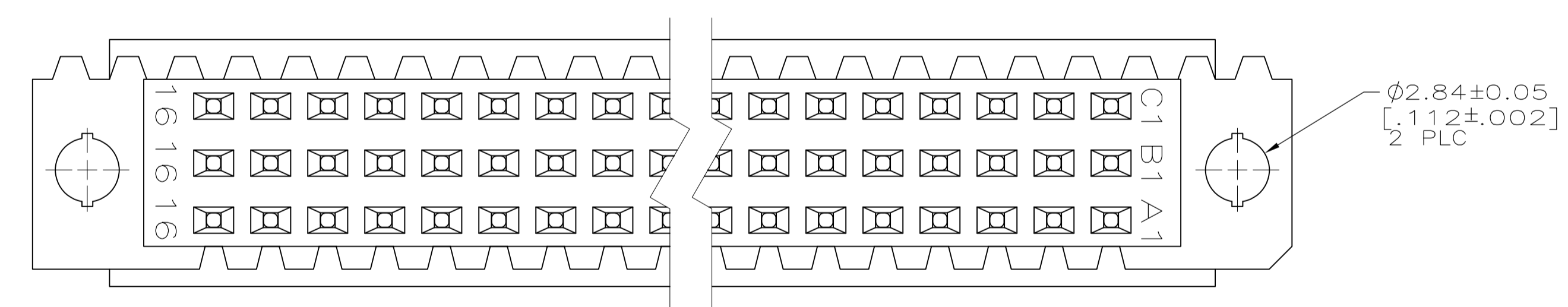
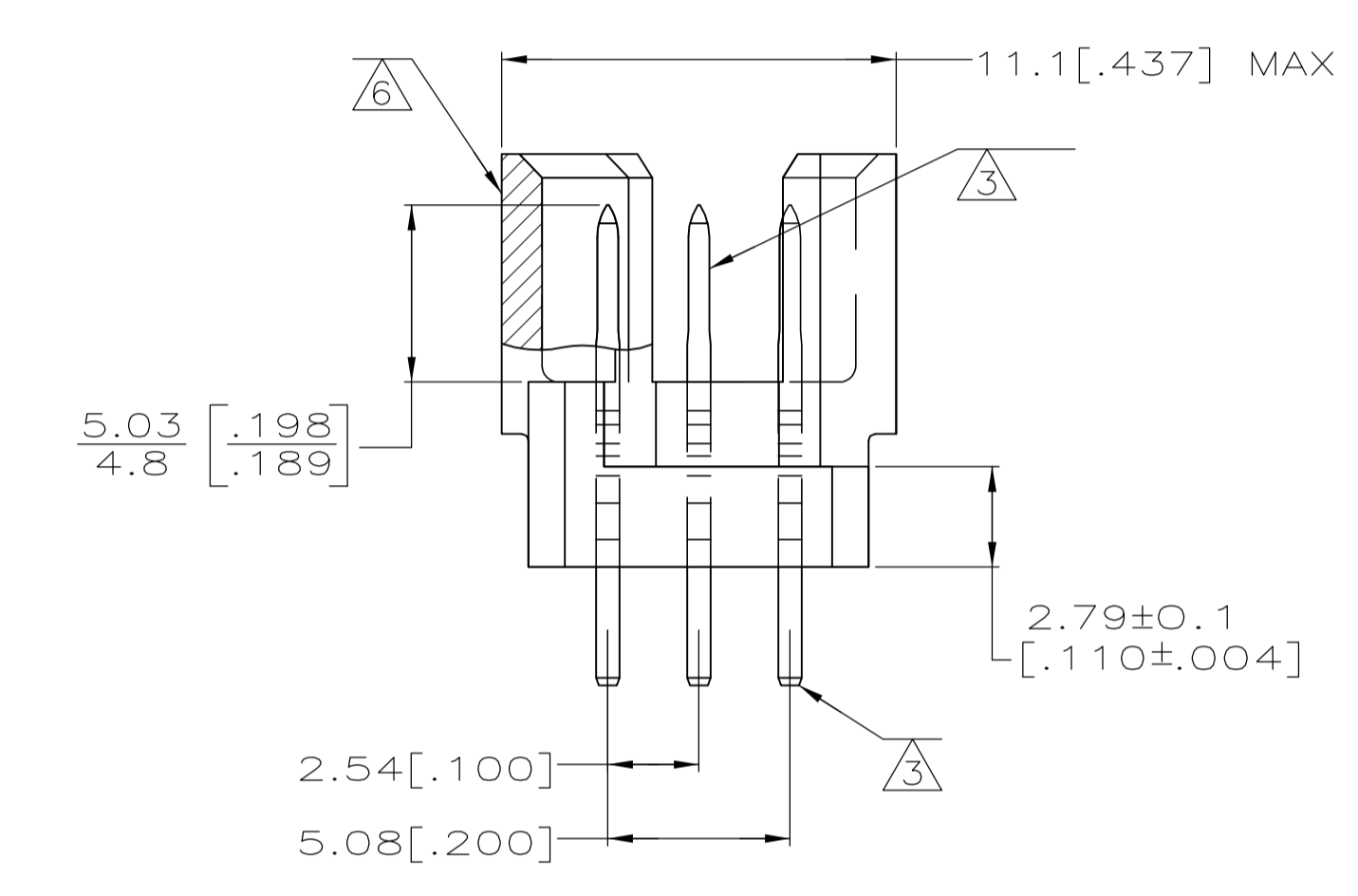
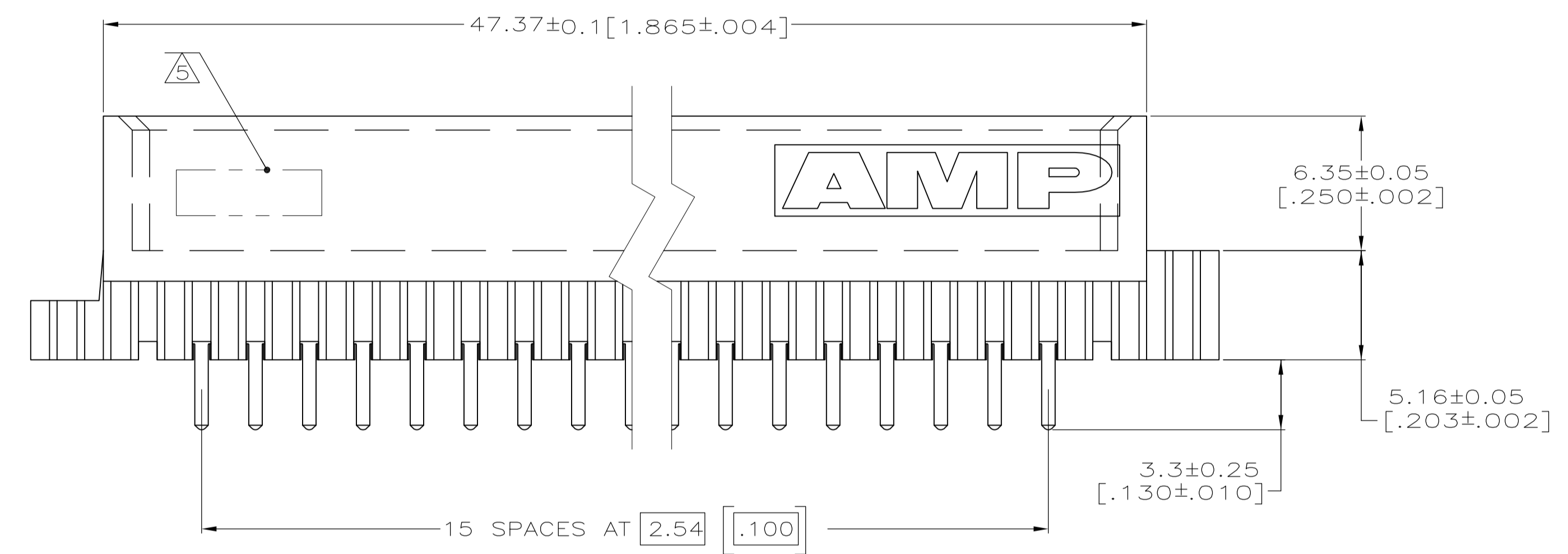


- ① HOUSING MATERIAL: GLASS-FILLED POLYMER. COLOR: GRAY.
- ② POST MATERIAL: COPPER ALLOY.
- ③ POST FINISH: DIN 41612 CLASS 2 IN CONTACT AREA. TIN PLATE ON POSTS.
- ④ RECOMMENDED HOLE SIZE FOR MANUAL APPLICATION OF CONNECTOR ONTO PC BOARD.
- ⑤ PART NUMBER, DATE CODE MARKED THIS APPROXIMATE AREA.
- ⑥ MARKING ON THIS SIDE.



PC BOARD LAYOUT

③	1-16	X	X	X	48	5650479-5
NOTES	POSITIONS LOADED	C	B	A	NO. OF LOADED POSITION	ASSY PART NUMBER
		ROWS LOADED				

THIS DRAWING IS A CONTROLLED DOCUMENT.		DIN J. POLIGNONE 18APROS		TE Connectivity	
DIMENSIONS: mm [INCHES]		TOLERANCES UNLESS OTHERWISE SPECIFIED:		NAME	
0 PLC ± - 1 PLC ± - 2 PLC ± - 3 PLC ± 0.1[.005] 4 PLC ± - ANGLES ± -		C/A SHARPE 18APROS A SHARPE 18APROS PRODUCT SPEC		ASSEMBLY, PIN, EUROCARD, TYPE R/2 48, .130 SOLDER POST	
MATERIAL		FINISH		SIZE	
①②		③		A1 00779 C=5650479	
CUSTOMER DRAWING		SCALE 5:1		SHEET 1 OF 1 REV P	