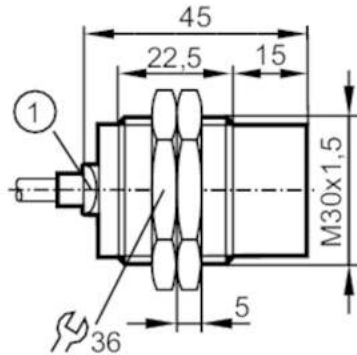


IIS243



Inductive sensor

IIB3022-BPKG/2M/PUR



1 LED yellow



Product characteristics

| | |
|--------------------|--------------------|
| Electrical design | PNP |
| Output function | normally open |
| Sensing range [mm] | 22 |
| Housing | threaded type |
| Dimensions [mm] | M30 x 1.5 / L = 45 |

Application

| | |
|-----------------|---|
| Special feature | Increased sensing range |
| Application | Suitable for industrial, mobile, cooling and lubricating applications; Industrial applications / factory automation |

Electrical data

| | |
|-----------------------------|------------|
| Operating voltage [V] | 10...30 DC |
| Current consumption [mA] | < 10 |
| Protection class | III |
| Reverse polarity protection | yes |

Outputs

| | |
|--|---------------|
| Electrical design | PNP |
| Output function | normally open |
| Max. voltage drop switching output DC [V] | 2.5 |
| Permanent current rating of switching output DC [mA] | 100 |
| Switching frequency DC [Hz] | 100 |
| Short-circuit protection | yes |
| Overload protection | yes |

Detection zone

| | |
|----------------------------|-----------|
| Sensing range [mm] | 22 |
| Real sensing range Sr [mm] | 22 ± 10 % |
| Operating distance [mm] | 0...17.82 |
| Increased sensing range | yes |

IIS243



Inductive sensor

IIB3022-BPKG/2M/PUR

| Accuracy / deviations | | |
|-------------------------------|--|--|
| Correction factor | steel: 1 / stainless steel: 0.7 / brass: 0.5 / aluminium: 0.4 / copper: 0.3 | |
| Hysteresis [% of Sr] | 3...15 | |
| Switch point drift [% of Sr] | -10...10 | |
| Operating conditions | | |
| Ambient temperature [°C] | -40...85 | |
| Protection | IP 65; IP 66; IP 67; IP 68; IP 69K | |
| Tests / approvals | | |
| EMC | EN 61000-4-2 ESD | 4 kV CD / 8 kV AD |
| | EN 61000-4-3 HF radiated | 10 V/m |
| | EN 61000-4-4 Burst | 2 kV |
| | EN 61000-4-6 HF conducted | 10 V |
| | EN 55011 | class B |
| Vibration resistance | EN 60068-2-6 Fc | 20 g (10...3000 Hz) / 50 sweep cycles, 1 octave per minute, in 3 axes |
| Shock resistance | EN 60068-2-27 Ea | 100 g 11 ms half-sine; 3 shocks each in every direction of the 3 coordinate axes |
| Continuous shock resistance | EN 60068-2-27 | 40 g 6 ms; 4000 shocks each in every direction of the 3 coordinate axes |
| Fast temperature change | EN 60068-2-14 Na | TA = -40 °C; TB = 85 °C; t1 = 30 min; t2 = < 10 s; 50 cycles |
| Salt spray test | EN 60068-2-52 Kb | severity level 5 (4 test cycles) |
| MTTF [years] | 861 | |
| Embedded software included | yes | |
| UL approval | Ta | -25...75 °C |
| | Enclosure type | Type 1 |
| | power supply | Limited Voltage/Current |
| | UL Approval no. | A002 |
| | File number UL | E174191 |
| Mechanical data | | |
| Weight [g] | 134.7 | |
| Housing | threaded type | |
| Mounting | non-flush mountable | |
| Dimensions [mm] | M30 x 1.5 / L = 45 | |
| Thread designation | M30 x 1.5 | |
| Materials | brass white bronze coated; sensing face: PBT orange; LED window: PEI; lock nuts: brass white bronze coated | |
| Displays / operating elements | | |
| Display | switching status | 1 x LED, yellow |
| Accessories | | |
| Items supplied | lock nuts: 2 | |
| Remarks | | |
| Pack quantity | 1 pcs. | |

IIS243



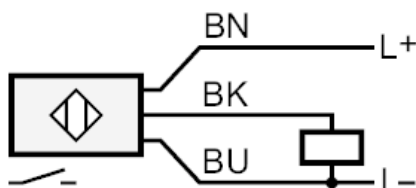
Inductive sensor

IIB3022-BPKG/2M/PUR

Electrical connection

Cable: 2 m, PUR, \varnothing 4 mm; burning behaviour to ECE R118 rev. 2; 3 x 0.34 mm²

Connection



Core colours :
BK = black
BN = brown
BU = blue