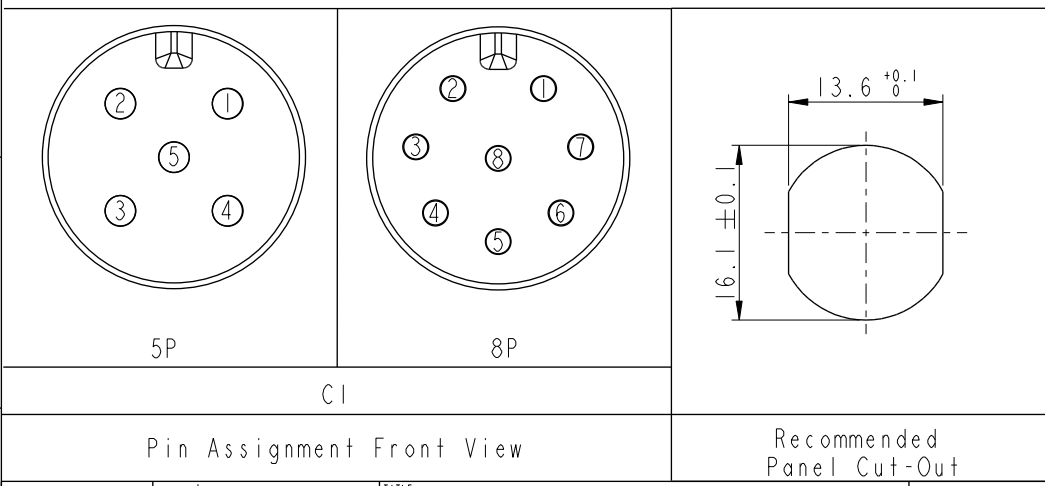
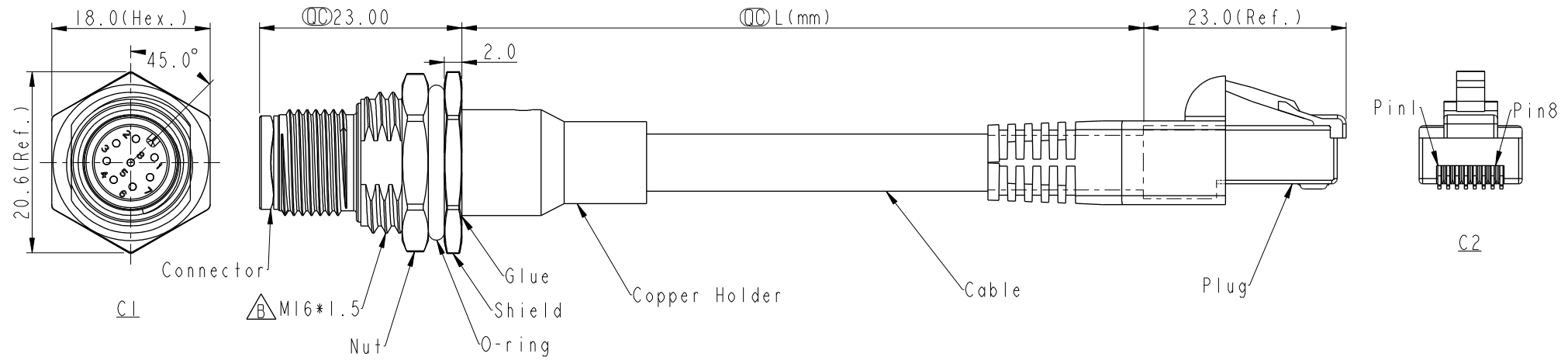


THIS DOCUMENT IS SUBJECT TO CHANGE WITHOUT NOTICE. IT IS CONFIDENTIAL AND A PROPERTY OF AMPHENOL LTW. DISCLOSURE TO THIRD PARTY HAS TO BE AUTHORIZED BY AMPHENOL LTW.

REV.	ECN NO.	DATE	SIGN	DESCRIPTION
A		2022-06-22	Jiahe Lin	Rev.01 To Rev.A
B	C221046	2022-07-07	Jiahe Lin	$\triangle B$ *2

MSAS-XXPMMJ-SF8CXX
 XX: No. Of Pin
 XX:L=0~05Meters
 A5:L=0.5Meters
 01:L=1Meters
 02:L=2Meters
 :
 05:L=5Meters



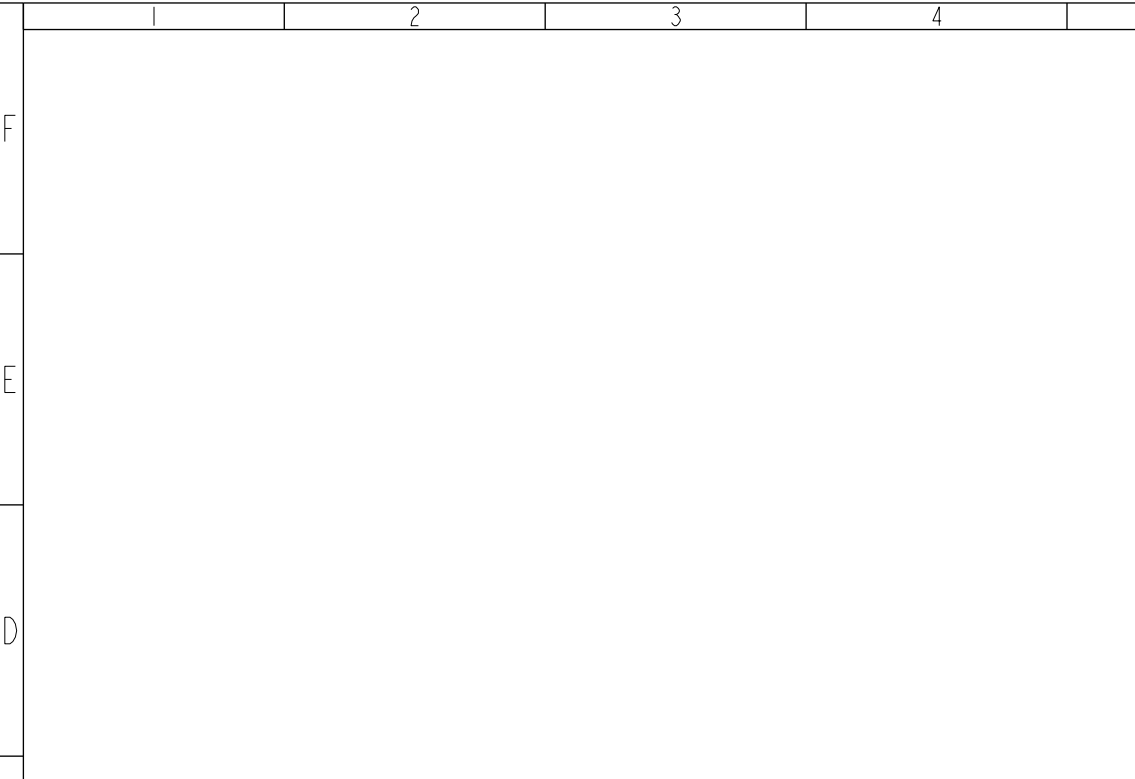
Note:
 * RoHS Compliant
 * $\text{\textcircled{L}}$ Important dimension
 * C1
 Waterproof rate: IPX8, unmated 1m/24h
 Housing: Thermoplastic, Black
 Pin: Copper alloy, Gold plated
 O-Ring: Rubber, Black
 Shield: Metal
 Nut: Metal
 * C2
 Waterproof rate: Non-Waterproof
 Plug: RJ45, Shielded
 * For panel thickness max: 4.5mm
 * Nut is packed separately in pe bag
 * Cable: Cat5E, PU Jacket, Black
 * Cable length tolerance: 0.5M < L ≤ 1M: +60/-0 mm
 1M < L ≤ 3M: +120/-0 mm
 3M < L ≤ 5M: +160/-0 mm

UNIT: mm		TITLE	N SEN, M12 A -SHLD, SCREW RECEPTACLE, M, M, RJ PLUG		ITEM NO	MSAS-XXPMMJ-SF8CXX	DRAWN BY	Jiahe Lin	DATE	2022-06-22			
		SCALE	2:1	SIZE	A4	SHEET	1	OF	2	CHECKED BY	Allen Pan	DATE	2022-06-22
		REV.	B	WC-REV.		$\text{\textcircled{L}}$	Inspection item	CUSTOMER	ALTW	APPROVED BY	Fred Lee	DATE	2022-06-22

Amphenol LTW
 安費諾亮泰企業股份有限公司

THIS DOCUMENT IS SUBJECT TO CHANGE WITHOUT NOTICE. IT IS CONFIDENTIAL AND A PROPERTY OF Amphenol LTW. DISCLOSURE TO THIRD PARTY HAS TO BE AUTHORIZED BY Amphenol LTW.

5	6	7	8
8P	6.5	24#*4P+AL/MY+D	MSAS-08PMMJ-SF8CXX
5P	6.2	22#*2P+AL/MY+D	MSAS-05PMMJ-SF8CXX
Contacts	Cable OD	Cable Spec	Item No.



Shield			
5	Drain	地線	Shield
4	Green	綠	6
2	White/Green	白/綠	3
3	Orange	橘	2
1	White/Orange	白/橘	1
C1	Wire Color		C2

Shield	Drain	地線	Shield
3	Brown	棕	8
2	White/Brown	白/棕	7
8	Green	綠	6
5	White/Green	白/綠	3
7	Blue	藍	4
1	White/Blue	白/藍	5
4	Orange	橘	2
6	White/Orange	白/橘	1
C1	Wire Color		C2

5P Pin Out

8P Pin Out

UNIT:mm			TITLE N SEN, M12 A -SHLD, SCREW RECEPTACLE, M, M, RJ PLUG
TOLERANCE .X ±0.25 .XX ±0.1 .XXX ±0.05 ANGLES ±1°	SCALE 2:1	SIZE A4	SHEET 2 OF 2
REV. B	WC-REV.	☉: Inspection item	

Amphenol LTW
安費諾亮泰企業股份有限公司

ITEM NO	DRAWN BY Jiahe Lin	DATE 2022-06-22
DWG NO MSAS-XXPMMJ-SF8CXX	CHECKED BY Allen Pan	DATE 2022-06-22
CUSTOMER ALTW	APPROVED BY Fred Lee	DATE 2022-06-22