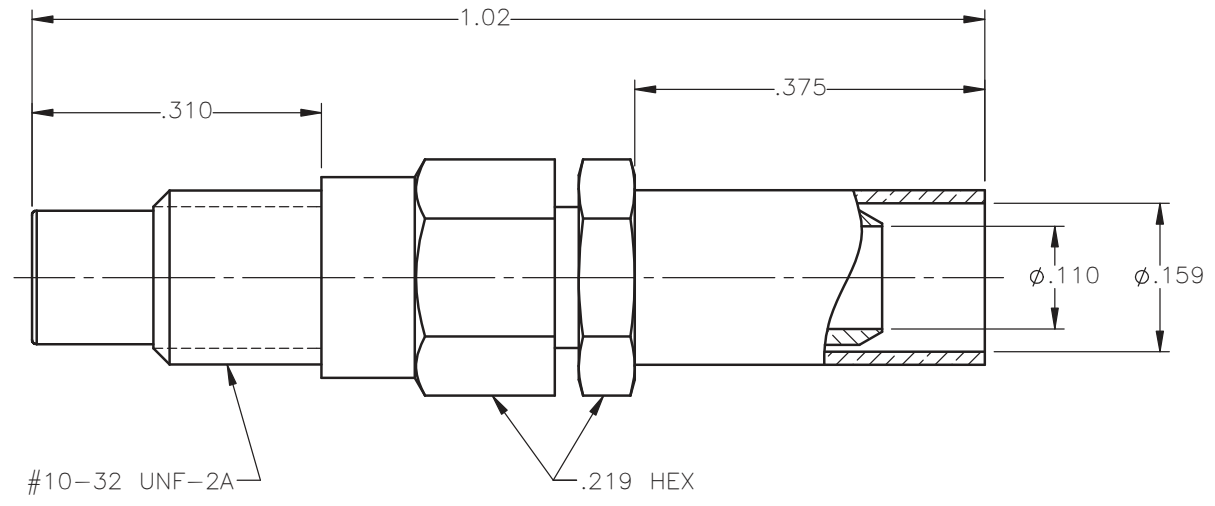


REVISIONS			
REV.	DESCRIPTION	DATE	APPROVED
A	INITIAL RELEASE	02/28/13	D.N.






NOTES:

MATERIALS:

1. INSULATORS = VIRGIN WHITE TEFLON PER ASTM D1710, GRADE 1, TYPE I, CLASS "B".
2. CRIMP SLEEVE = SEAMLESS LOWLEAD BRASS TUBE, ALLOY 330, SOFT ANNEAL TEMPER, .025/.060 GRAIN SIZE OR SEAMLESS COPPER TUBE PER ASTM B75, TYPE C12000, TEMPER: LIGHT ANNEAL O50 EXCEPT YIELD STRENGTH.
3. ALL OTHER METAL PARTS = BRASS PER ASTM B16, ALLOY C36000, TEMPER H02.

FINISHES:

1. CONTACT = GOLD PLATE PER MIL-G-45204, TYPE II, CLASS 1, GRADE C, OVER .00010 TO .00020 STRESS FREE SULFAMATE NICKEL PER QQ-N-290.
2. ALL OTHER METAL PARTS = GOLD PLATE PER MIL-G-45204, TYPE II, CLASS 0, GRADE C, OVER .00010 TO .00020 COPPER STRIKE PER MIL-C-14550.

UNLESS OTHERWISE SPECIFIED DIMENSIONS ARE IN INCHES TOLERANCES ON		DWN: D.N.	DATE: 02/28/13	 Property of Radiall This document cannot be reproduced or communicated to a third party without prior written permission of RADIALL.	
DECIMAL	ANGLE	CHKD: J.S.	DATE: 02/28/13		
		APVD: J.M.	DATE: 02/28/13		
REFERENCE: ORIGINATED: D.N. DATE: 02/28/13		MATERIALS & FINISHES: SEE NOTES		SMC STRAIGHT MALE JACK CRIMP TYPE FOR RG-180 & SIMILAR CABLES	
		SIZE: A	FSCM NO.: 19505	DWG NO.: 1001-1571-004	REV: A
		SCALE: 5:1		THIRD ANGLE PROJECTION 	
		SHEET 1 OF 1			

1001-1571-004