

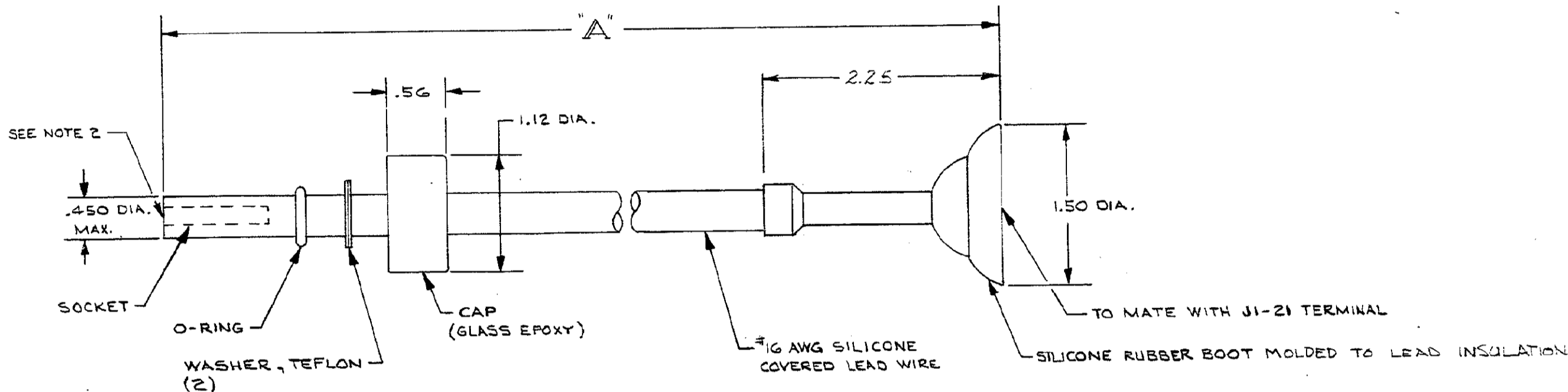
DRAWING MADE IN AMERICAN PROJECTION

© 1968 BY AMP INCORPORATED. ALL RIGHTS RESERVED. AMP PRODUCTS COVERED BY PATENTS AND/OR PATENTS PENDING.

THIS PRODUCT DESIGNED AND BUILT BY AMP INCORPORATED. NO LICENSE TO USE THIS DESIGN OR DIMENSIONS, OR TO USE ANY TRADE OR PATENT RIGHTS WHICH ARE IN FORCE, IS IMPLIED.

REVISIONS				
ZONE	LTR	DESCRIPTION	DATE	APPROVED
	-	REF. SD# 24758		
A		REV. PER ECN 2711	T.S. 7/24/72	Kan Y.
B		REV. PER ECN 8061	L.G. 7/29/75	M.A.
C		OBS-1 PER ECN L-1559	9/29/87	R.B.

AMP P/N	"A"	
858932-1	15.00	OBSOLETE
858932-2	24.00	



- TOLERANCE ON "A" DIMENSION: UP TO 24 = ±.12
24 & UP = ± 1% OF LENGTH
- LEAD ASSY. TO MATE WITH LGH-2 RECEPTACLES 833782, 836560 & ANY DASH NO., 836693, 837043, 840568 & OTHER SIMILAR LGH-2 RECEPTACLES
- COLOR OF LEAD WIRE WHITE UNLESS OTHERWISE SPECIFIED.

QTY REQD	QTY REQD	ITEM NO.	DWG SIZE	PART OR IDENTIFYING NO.	NOMENCLATURE OR DESCRIPTION	SYMBOL
-2	-1				PARTS LIST	
UNLESS OTHERWISE SPECIFIED: DIMENSIONS ARE IN INCHES TOLERANCES .00 = ±.02 ANGLES = .000 = ±.005				CONTRACT NO. DR <i>Debra</i> 3-11-68 CHK APPD APPD DSGN APPD <i>JWSaw</i> 3/13/68 OTHER APPD	AMP INCORPORATED CAPITRON DIVISION ELIZABETHTOWN, PENNSYLVANIA AMP NAME LGH-2 CRT LEAD ASSY. LGH	
NEXT ASSY	FINAL ASSY	NEXT ASSY	USED ON	SIZE C	CODE IDENT NO. 00779	NUMBER 858932
QTY REQD	APPLICATION			SCALE <i>1/1</i>	WT	SHEET <i>10F1</i>

PRINT DIST
4 57