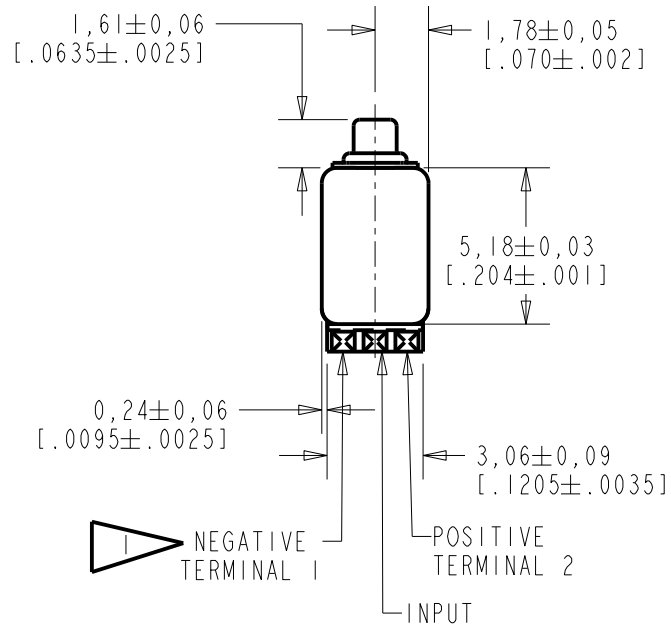
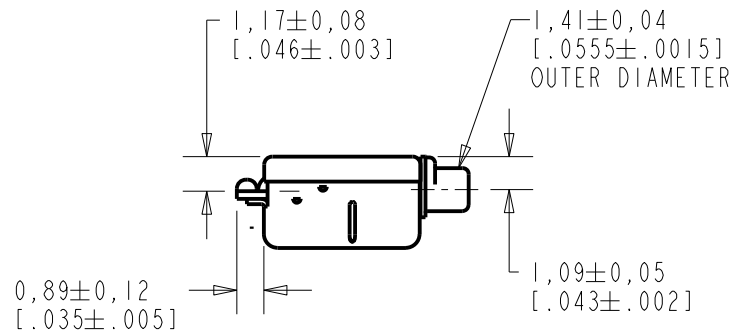
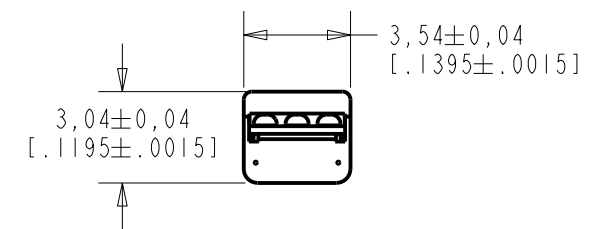


**ES-23127-000**  
SHT 1.1



NOTE:  
A POSITIVE GOING VOLTAGE AT THE INPUT TERMINAL, CAUSES A DECREASE IN PRESSURE AT THE SOUND OUTLET.

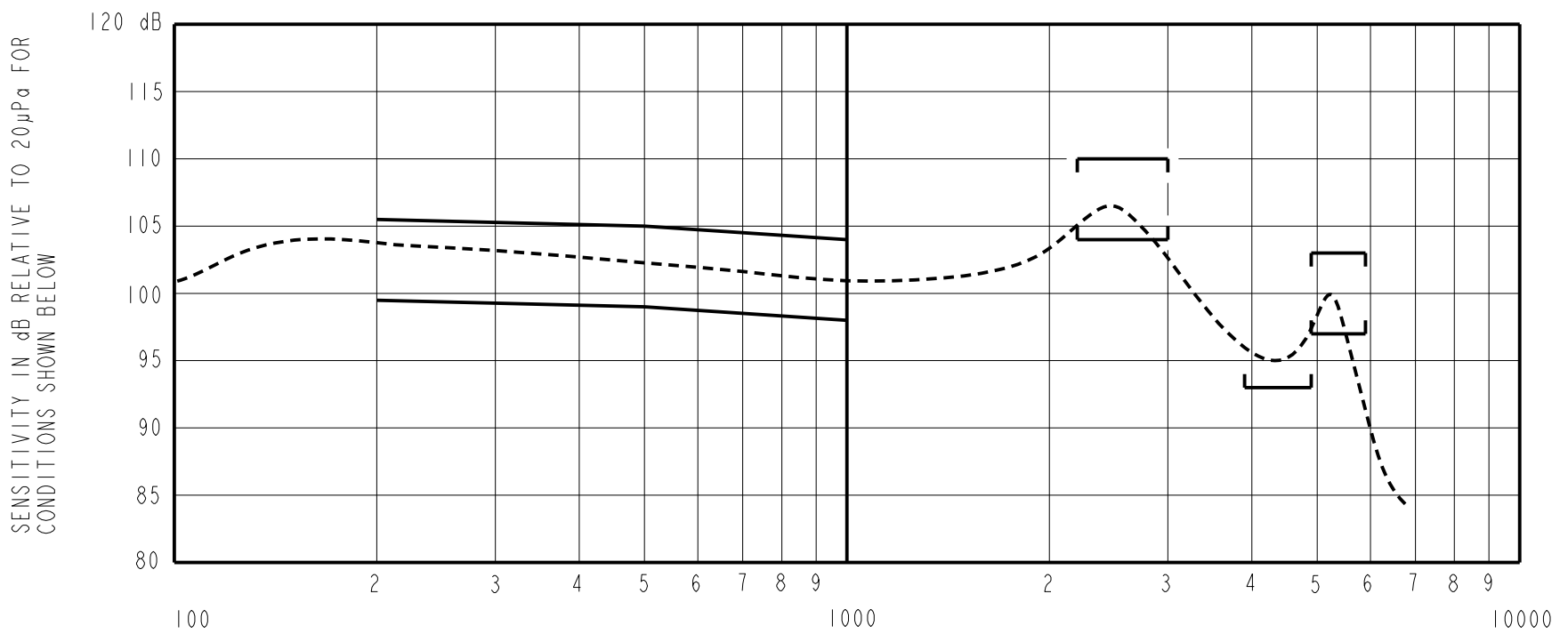


SCALE 2:1  
NOMINAL WEIGHT .23 GRAMS  
DIMENSIONS IN MILLIMETERS [INCHES]

| Revision | C.O. #    | Implementation Date | RELEASE LEVEL | REVISION |
|----------|-----------|---------------------|---------------|----------|
| B        | C10114036 | 11-13-12            | Active        | B        |
| A        | C10103509 | 12-13-05            |               |          |

|                      |  |         |          |
|----------------------|--|---------|----------|
| SCALE: 4:1           |  | DR. BY  | DATE     |
| DO NOT SCALE DRAWING |  | AB      | 12-13-05 |
| TITLE: RECEIVER      |  | CK. BY  | DATE     |
| OUTLINE DRAWING      |  | GJP     | 12-21-05 |
| ES-23127-000         |  | APP. BY | DATE     |
| SHT 1.1              |  | GJP     | 12-21-05 |

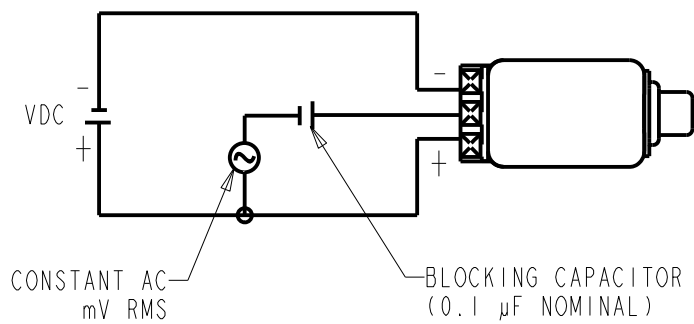
**KNOWLES ELECTRONICS**  
ITASCA, ILLINOIS U.S.A.



NOTES:

FREQUENCY IN HERTZ

- MEASUREMENTS MADE USING 10mm (.394") OF 1mm (.039") ID TUBE CONNECTED TO A SIMULATED ANSI S3.7 TYPE HA-3 COUPLER. (IEC 60318-5)
- ELECTRICAL SIGNAL (SEE #5 BELOW).



3.

SENSITIVITY

| FREQUENCY | MIN.  | MAX.  |
|-----------|-------|-------|
| 200       | 99.5  | 105.5 |
| 500       | 99.0  | 105.0 |
| 1000      | 98.0  | 104.0 |
| 2200-3000 | 104.5 | 110.5 |
| 3900-4900 | 93.0  | ---   |
| 4900-5900 | 97.0  | 103.0 |

- RESPONSE AND DISTORTION MEASUREMENTS MADE USING THE ELECTRICAL TEST CONDITIONS SHOWN BELOW.
- INDIVIDUAL SPECIFICATIONS.

| PORT LOCATION | MAX. DC SUPPLY CURRENT, mA |          | DISTORTION |         | ELECTRICAL TEST CONDITIONS |     |
|---------------|----------------------------|----------|------------|---------|----------------------------|-----|
|               | VDC= 1.3                   | VDC= 1.5 | MAX. %     | FREQ Hz | CONSTANT AC mV RMS         | VDC |
| 12C           | 0.375                      | 0.575    | 5          | 800     | 25                         | 1.3 |

| Revision | C.O. #    | Implementation Date | RELEASE LEVEL | REVISION |
|----------|-----------|---------------------|---------------|----------|
| B        | C10114036 | 11-13-12            | Active        | B        |
| A        | C10103509 | 12-13-05            |               |          |

**KNOWLES ELECTRONICS**  
ITASCA, ILLINOIS U.S.A.

WHEN TEST LIMITS ARE USED TO ESTABLISH INCOMING INSPECTION ACCEPTANCE/REJECTION CRITERIA, CORRELATION OF TEST EQUIPMENT WITH KNOWLES IS ALSO REQUIRED FOR ELIMINATION OF EQUIPMENT AND TEST METHOD VARIATION

TITLE: **RECEIVER**  
PERFORMANCE SPECIFICATION

**ES-23127-000**  
SHT 2.1

| DR. BY  | DATE     |
|---------|----------|
| AB      | 12-13-05 |
| CK. BY  | DATE     |
| GJP     | 12-21-05 |
| APP. BY | DATE     |
| GJP     | 12-21-05 |