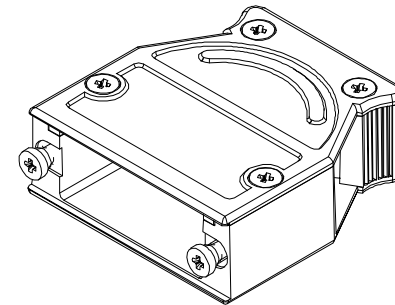
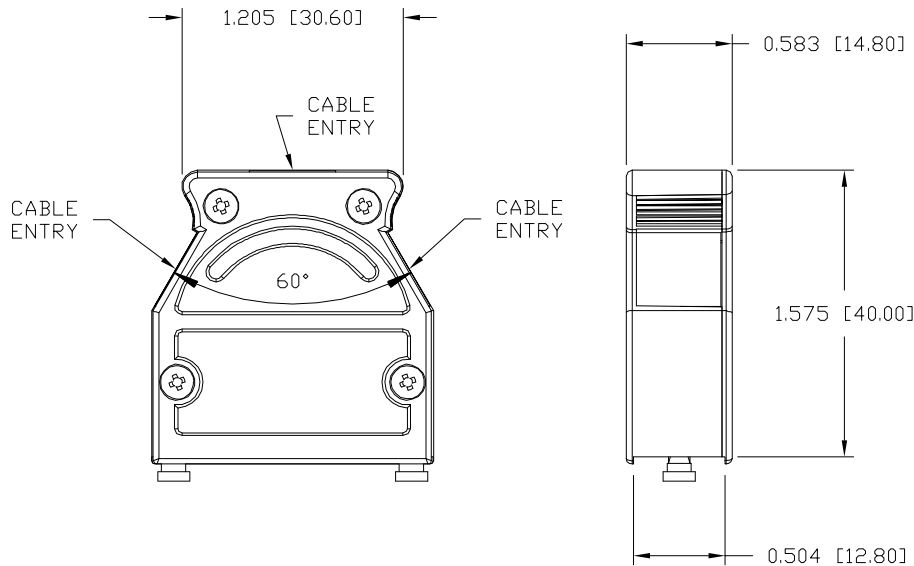
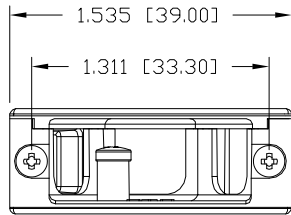


**MATERIAL:**

BACKSHELL: ZINC ALLOY  
 COVER: ZINC ALLOY  
 MOUNTING SCREWS: STEEL, NICKEL PLATED  
 HOUSING SCREWS: STEEL, ZINC PLATED  
 GROUNDING SCREW: STEEL, ZINC PLATED  
 CABLE SLOT COVER: ZINC ALLOY  
 OPERATING TEMP: -55°C TO +90°C

CABLE DIAMETER  
 0.551 [14.00] MAX



**BACKSHELL KIT INCLUDES:**

- (1) BACKSHELL
- (1) BACKSHELL COVER
- (2) MOUNTING SCREWS (#4-40)
- (4) HOUSING SCREWS (M2.5x0.45)
- (1) GROUNDING SCREW (M2.5x0.45)
- (2) CABLE SLOT COVER

GROUNDING SCREW (PHILLIPS)



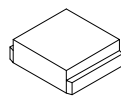
HOUSING SCREW (PHILLIPS)



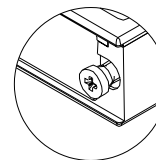
MOUNTING SCREW (PHILLIPS)



CABLE SLOT COVER



\*\*SEE PAGE 2 FOR CABLE CLAMPS



Mounting screw(s) shown to the left will not mate with any NorComp current hardware options. Please refer to NorComp 975M Series product page for slide lock hardware options (purchased separately).

UNITS = inch [mm]

**DO NOT SCALE FROM DRAWING**

**RoHS COMPLIANT**



THESE DRAWINGS AND SPECIFICATIONS ARE THE PROPERTY OF NorComp AND SHALL NOT BE REPRODUCED, COPIED OR USED AS THE BASIS FOR THE MANUFACTURE OR SALE OF APPARATUS WITHOUT WRITTEN PERMISSION.

DRAWN:  
**M. SIGMON**

DATE:  
**08/16/2016**

**NorComp**

SCALE:  
 NTS

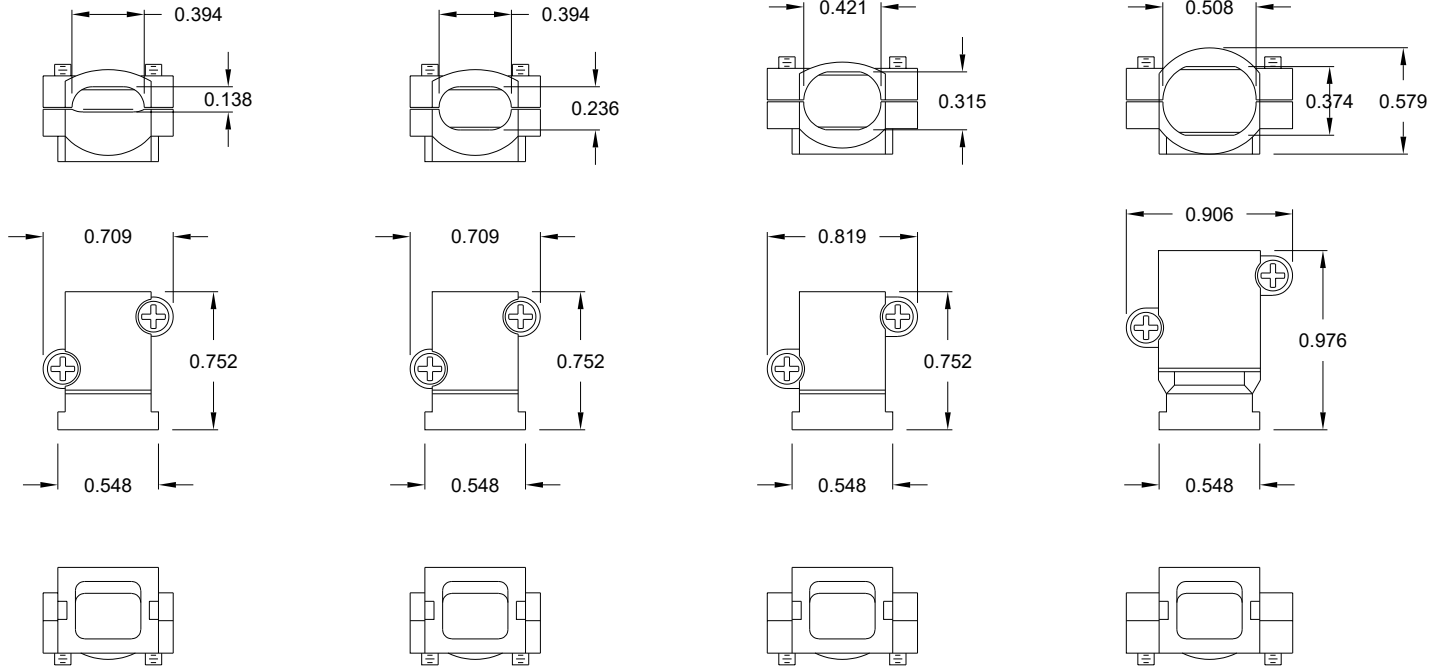
SHEET 1 OF 2

REV 2

DWG NO.

**975M015-030R121**

## CABLE CLAMPS ORDERED SEPARATELY



P/N **955-09-SR-4-7**  
CABLE RANGE = 0.157 - 0.276

P/N **955-15-SR-7-10**  
CABLE RANGE = 0.276 - 0.394

P/N **955-25-SR-9-12**  
CABLE RANGE = 0.354 - 0.472

P/N **955-37-SR-11-14**  
CABLE RANGE = 0.433 - 0.551

RoHS COMPLIANT

UNITS = inch

DO NOT SCALE FROM DRAWING



THESE DRAWINGS AND SPECIFICATIONS ARE THE PROPERTY OF NorComp AND SHALL NOT BE REPRODUCED, COPIED OR USED AS THE BASIS FOR THE MANUFACTURE OR SALE OF APPARATUS WITHOUT WRITTEN PERMISSION.

DRAWN:  
**M. SIGMON**

DATE:  
**08/16/2016**

# NorComp

SCALE:  
NTS

SHEET OF  
2 2

REV  
2

DWG NO.

**975M015-030R121**