

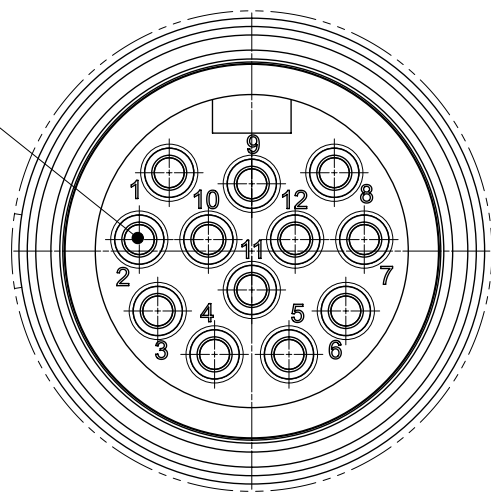
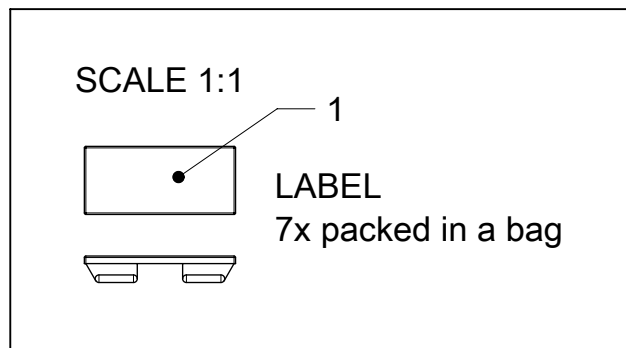
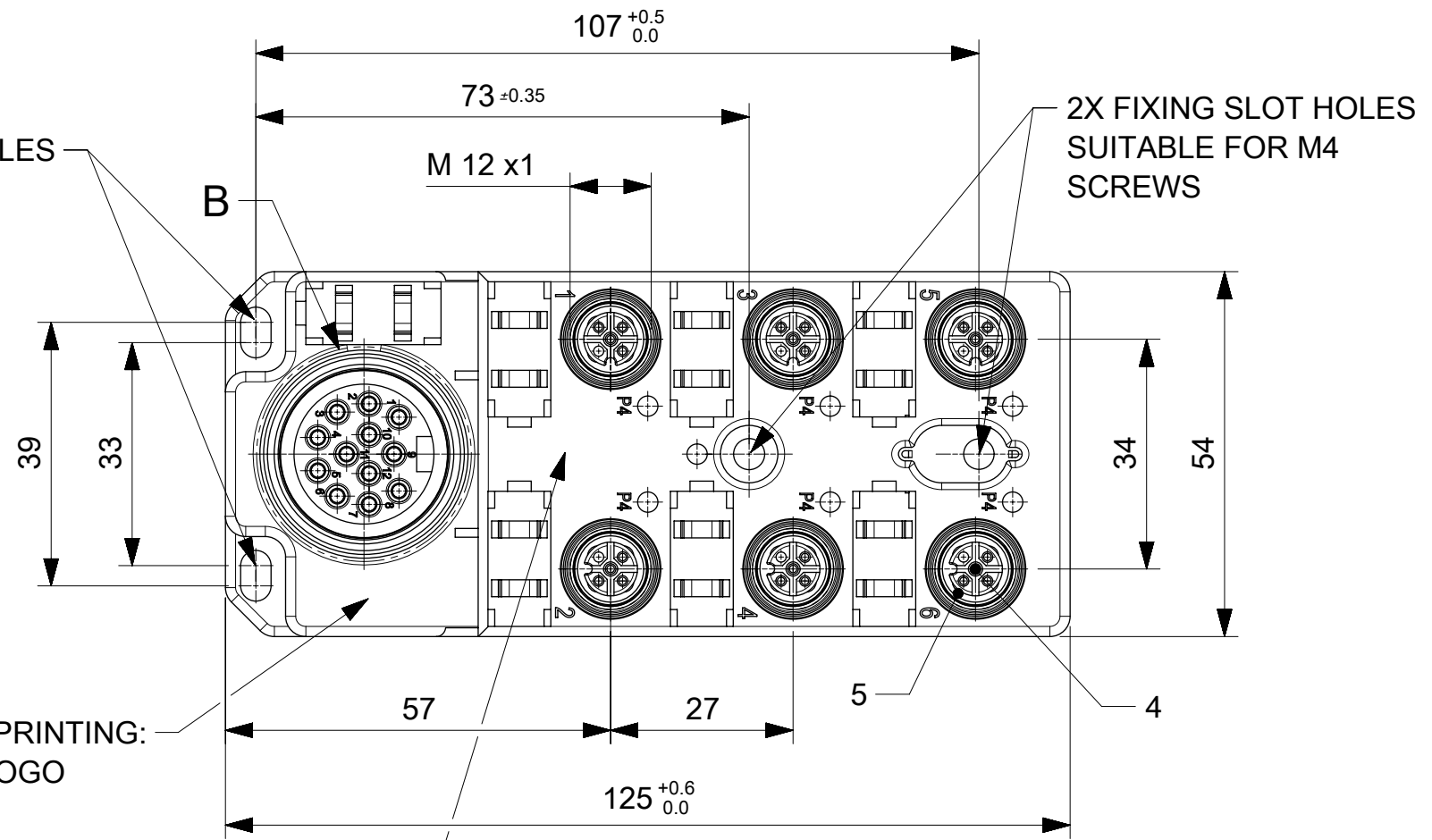
TABLE 1

MOLEX P/N	ENG. NO.	LED
1202510076	BKB6010-FBB	NO
1202510077	BKB601P-FBB	YES
1202510078	BKB601N-FBB	YES

TABLE 2 BILL OF MATERIAL

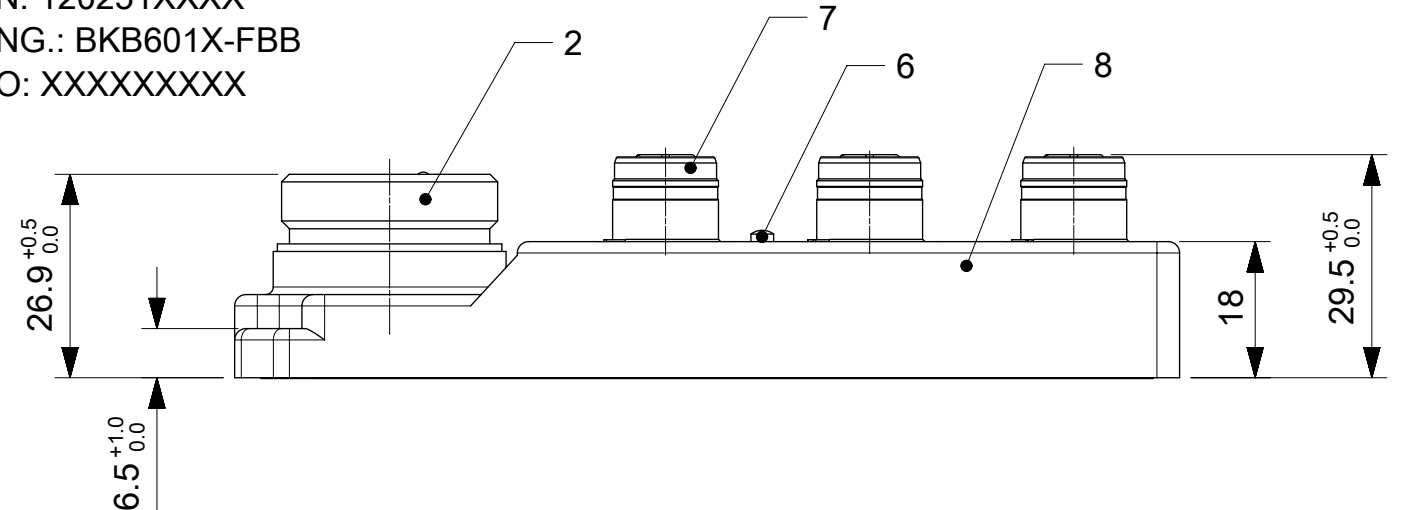
ITEM	DESCRIPTION	MATERIAL	FINISH
1	LABEL	ABS	WHITE
2	SHELL	BRASS	NICKEL PLATED
3	CONTACT	BRASS	GOLD OVER NICKEL
4	CONTACT	BRONZE	GOLD OVER NICKEL
5	O-RING	FPM	RED
6	LED	NO LED = PA	BLACK
		WITH LED = PA	TRANSPARENT
7	SHELL	BRASS	NICKEL PLATED
8	HOUSING	PBT	BLACK

2X FIXING SLOT HOLES
SUITABLE FOR M4
SCREWS



DETAIL B
SCALE 2:1
NOTE - PINS 7, 8, 12
NOT USED

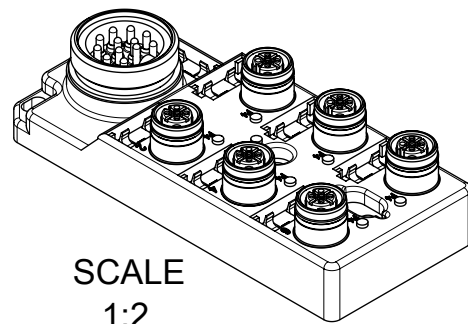
LASER PRINTING:
PN: 120251XXXX
ENG.: BKB601X-FBB
PO: XXXXXXXXXX



GENERAL CHARACTERISTICS:

ELECTRICAL AND MECHANICAL DATA ACC. TO IEC 61076-2-101

NOMINAL VOLTAGE: 10-30 V DC
 AMPERE RATING: 4 A PER PORT / 12 A MAX
 AMPERE RATING WITH UL REGISTRATION: 3 A PER PORT / 9 A MAX
 IP DEGREE OF PROTECTION: IP 67
 TEMPERATURE RANGE: -25°C to + 85°C



SYMBOLS	THIS DRAWING CONTAINS INFORMATION THAT IS PROPRIETARY TO MOLEX ELECTRONIC TECHNOLOGIES, LLC AND SHOULD NOT BE USED WITHOUT WRITTEN PERMISSION		CURRENT REV DESC:		molex		
▽ = 0	mm	SCALE 1:1			MPIS U12 NON 4P 6PT MINI CHANGE BK SINGL		
▽ = 0	GENERAL TOLERANCES (UNLESS SPECIFIED)						
▽ = 0	ANGULAR TOL ± 1.0°						
▽ = 0	4 PLACES ±	EC NO: 630686	2018/12/14				
▽ = 0	3 PLACES ±	DRWN: SSM	2020/01/17				
▽ = 0	2 PLACES ± 0.05	CHK'D: RSILLER	2020/01/17				
▽ = 0	1 PLACE ± 0.3	APPR: RSILLER					
▽ = 0	0 PLACES ± 0.5	INITIAL REVISION:					
□ = 0	DRAFT WHERE APPLICABLE MUST REMAIN WITHIN DIMENSIONS		THIRD ANGLE PROJECTION				
▽ = 0			DRAWING A3-SIZE				
			SERIES 120251				
			MATERIAL NUMBER SEE TABLE 1				
			CUSTOMER GENERAL MARKET				
			SHEET NUMBER 1 OF 2				

