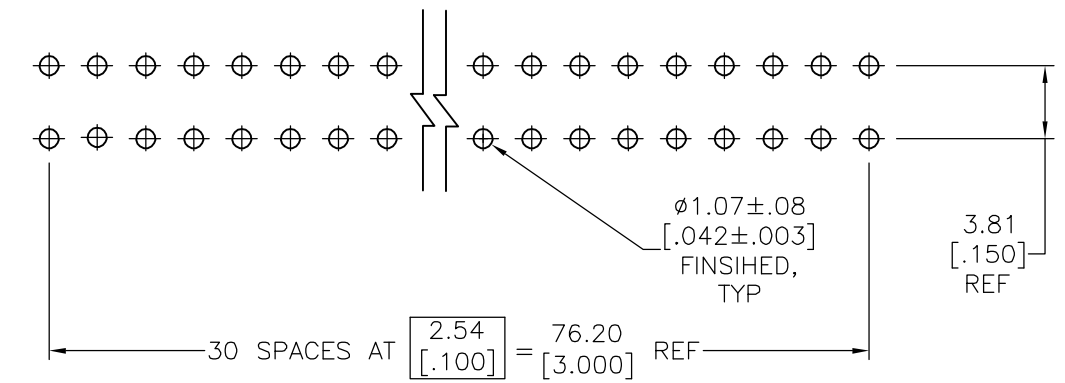


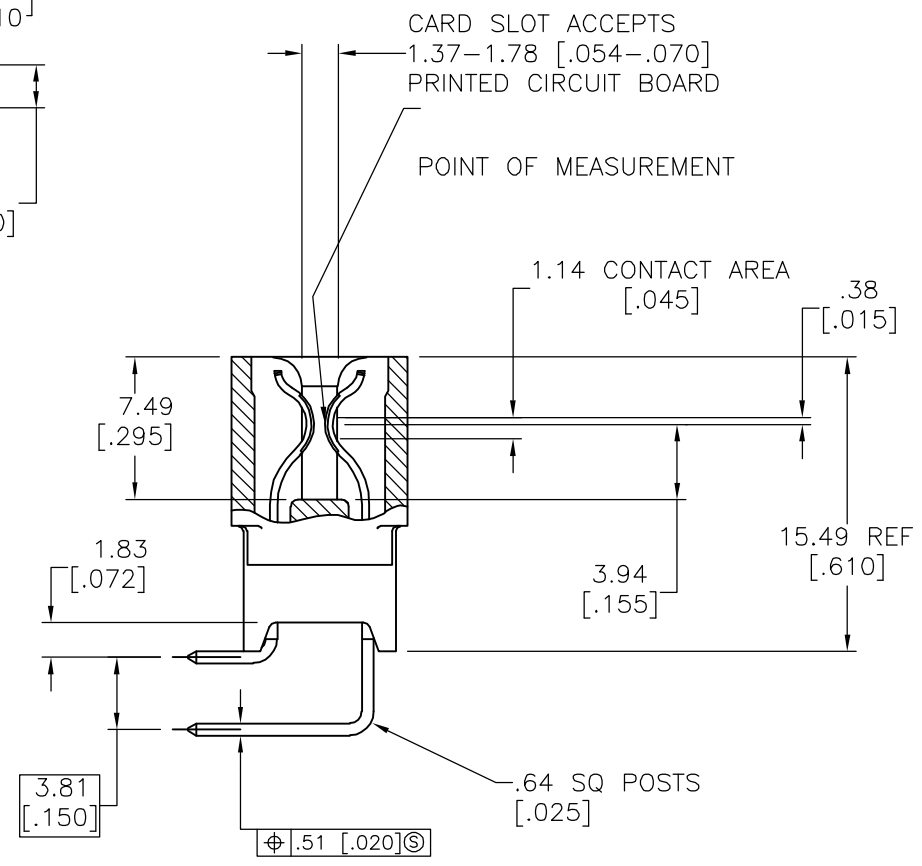
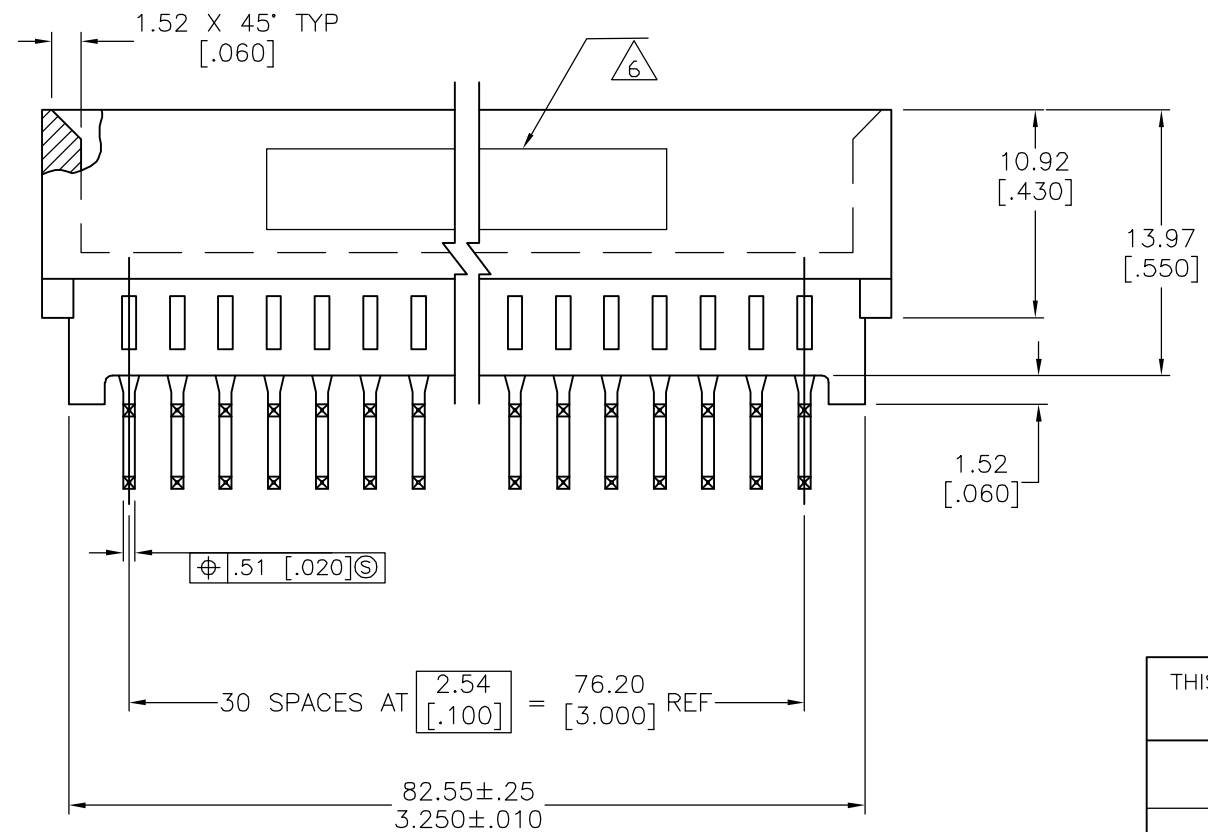
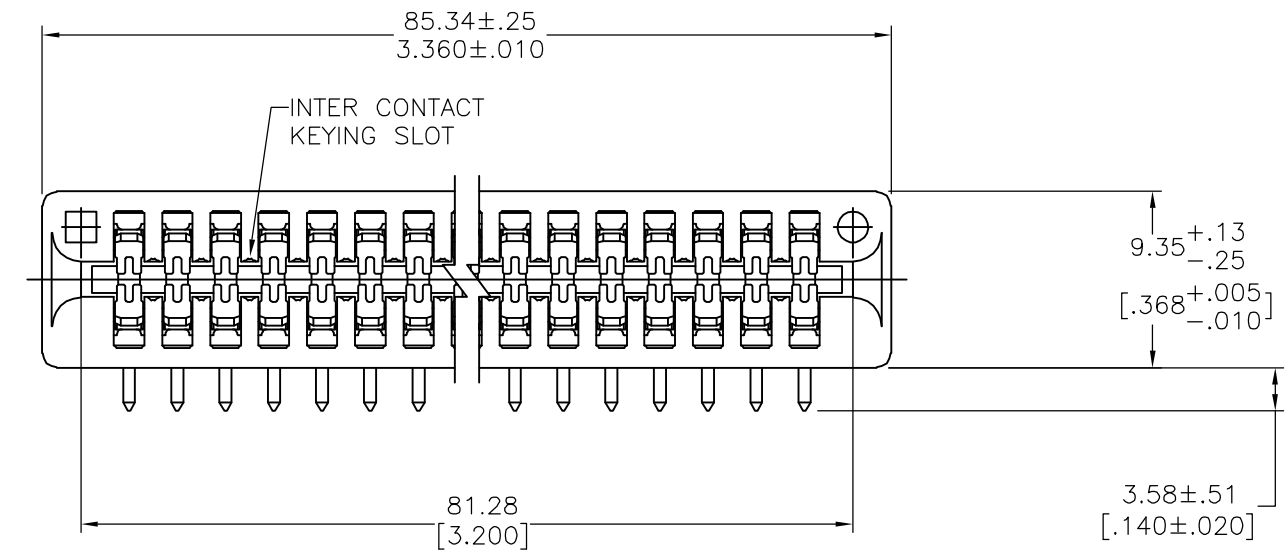
THIS DRAWING IS UNPUBLISHED. RELEASED FOR PUBLICATION
 © COPYRIGHT BY TYCO ELECTRONICS CORPORATION. ALL RIGHTS RESERVED.

LOC	DIST	REVISIONS				
P	LTR	DESCRIPTION	DATE	DWN	APVD	
GP	00	A	REVISED PER EC 0S12-0285-04	27AUG04	AWF	AWF

- 1 HOUSING: GLASS FILLED POLYESTER, COLOR: BLACK
- 2 CONTACT: HIGH CONDUCTIVITY COPPER
- 3 NICKEL UNDERPLATE .00127 [.000050] MIN ALL OVER
- 4 TIN PLATE: .00254 [.000100] MIN ON SOLDER POSTS
- 5 GOLD PLATE .00038 [.000015] MIN IN CONTACT AREA
- 6 TYCO PART NUMBER AND DATE CODE ARE MARKED IN APPROXIMATE AREA SHOWN, EITHER SIDE



RECOMMENDED PCB HOLE LAYOUT



NONE	31	1659222-1
KEY LOCATION	NO. OF POSNS	PART NUMBER

THIS DRAWING IS A CONTROLLED DOCUMENT.		DWN S. BURKHOLDER 16 DEC 02	Tyco Electronics Corporation Harrisburg, PA 17105-3608			
DIMENSIONS: INCHES		CHK A. FRANTUM 16 DEC 02				
TOLERANCES UNLESS OTHERWISE SPECIFIED:		APVD A. FRANTUM 16 DEC 02	NAME			
0 PLC ± - 1 PLC ± - 2 PLC ± .14 [.005] 3 PLC ± - 4 PLC ± - ANGLES ± 1		PRODUCT SPEC	CONNECTOR ASSEMBLY HIGH CURRENT CARD EDGE 2.54 [.100], RIGHT ANGLE			
MATERIAL		APPLICATION SPEC	SIZE	CAGE CODE	DRAWING NO	RESTRICTED TO
FINISH		WEIGHT -	A3	00779	C-1658222	-
CUSTOMER DRAWING			SCALE 5:1	SHEET 1 OF 1	REV A	