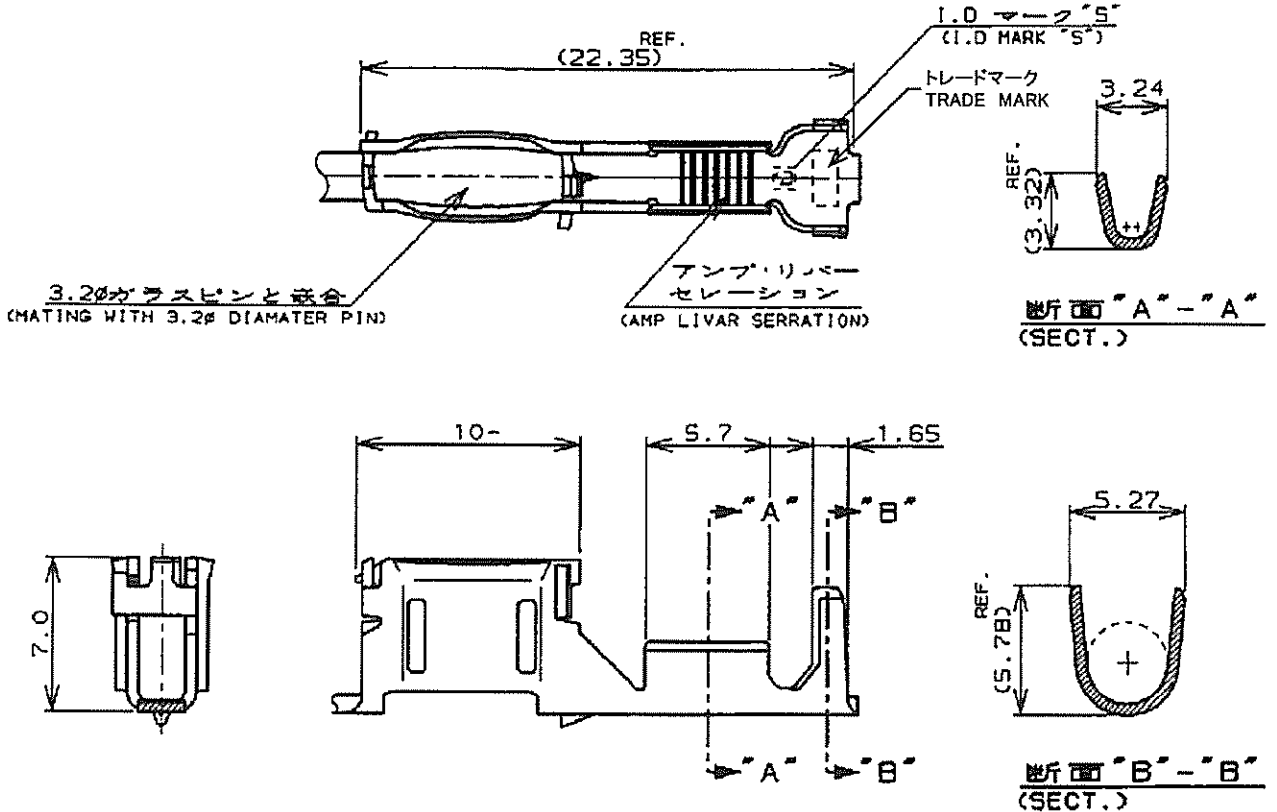


LOC	DTST	REVISIONS						
		P	LTR	DESCRIPTION	ECN	DATE	DWN	APVD
J			B	REVISED	ECR-07-011381	21MAY'07	J.S	S.M



- 注記;
 1. 適用ハウジング : []-316293-[]
- NOTES;
 1. APPLICABLE HSG : []-316293-[]

316294-1
 型番 (P/N)

DIMENSIONS:
 単位 ㎜
 mm

TOLERANCES UNLESS OTHERWISE SPECIFIED:
 一般公差
 寸法 ±0.2
 寸法 ±0.25

DWN M. SASAKI 11. JUL. '96
 CHK M. SHINDO 11. JUL. '96
 APVD Y. KASHIWA 13. JUL. '96

PRODUCT SPEC
 製品規格
 108-5494

APPLICATION SPEC
 取付適用規格
 114-5215

WEIGHT

WIRE RANGE
 適合電線断面積
 0.32-1.52mm² (AWG #22-#15)

INSULATION DIA
 被覆外径
 1.3-3.5

MATERIAL
 材料 燐青銅 (PHOS-BRO)

FINISH
 仕上 錫めっき仕上 (TIN PLATED)

Tyco Electronics Tyco Electronics AMP K.K.
 Kawasaki, Japan

NAME
 名称 3.2φ クラスター リセプタクル "S" タイプ
 (3.2φ CLUSTER REC. "S" TYPE)

SIZE CAGE CODE DRAWING NO
 番号
 A4 00779 C=316294

CUSTOMER DRAWING SCALE 尺 寸 SHEET 1 OF 1 REV B

THIS DRAWING IS UNPUBLISHED. BY AMP INCORPORATED. ALL RIGHTS RESERVED. .19
 THIS DRAWING IS UNPUBLISHED. BY AMP INCORPORATED. ALL RIGHTS RESERVED. .19
 THIS DRAWING IS UNPUBLISHED. BY AMP INCORPORATED. ALL RIGHTS RESERVED. .19