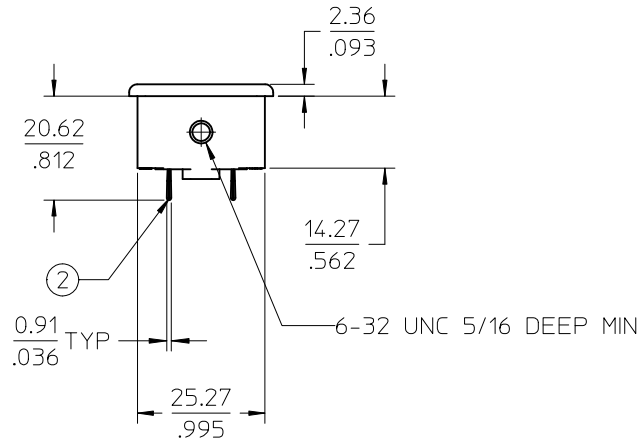
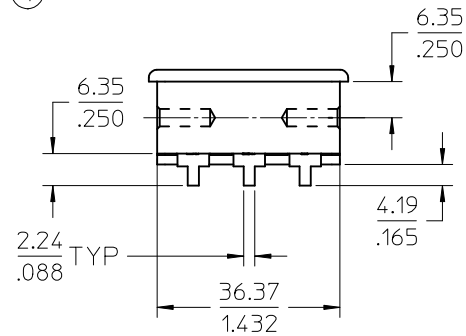
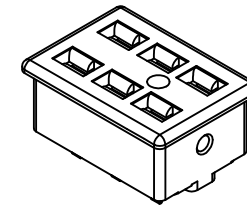
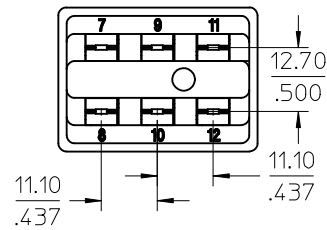
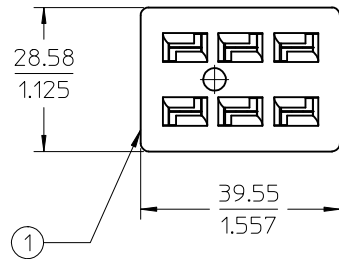


CONTACT WIRING SIDE



2	6	CONTACT S6 5400 SN/D	PHOS.BRONZE	TIN
1	1	BASE SOCKET 5406 MOGPP	PHENOLIC	BLACK
ITEM	QTY	DESCRIPTION	MATERIAL	FINISH

QUALITY SYMBOLS ▽=0 ◻=0	GENERAL TOLERANCES (UNLESS SPECIFIED)		DIMENSION STYLE MM/IN		SCALE 1:1	DESIGN UNITS INCH	THIRD ANGLE PROJECTION
		mm	INCH	DRAWN BY CLYORK	DATE 2009/08/27	TITLE SOCKET S6,LAB 5406 ASY	
	4 PLACES	± ---	± ---	CHECKED BY CLYORK	DATE 2010/05/10	APPROVED BY RDEROSS	
	3 PLACES	± ---	± .015	DATE 2009/08/27		MATERIAL NO. 385402606	
	2 PLACES	± 0.38	± ---	APPROVED BY RDEROSS		DOCUMENT NO. SD-38540-008	
	1 PLACE	± ---	± ---	DATE 2009/08/27		SHEET NO. 1 OF 1	
DRAFT WHERE APPLICABLE MUST REMAIN WITHIN DIMENSIONS		ANGULAR ±1/2°		MATERIAL NO. 385402606		DOCUMENT NO. SD-38540-008	

NOTES:
1.ASSEMBLY IS ROHS COMPLIANT.

INITIAL RELEASE	2009/09/09
EC NO: WNA2010-0104	2010/05/10
DRNWGES	2010/07/12
CHKD:CLYORK	
APPR:DTITUS	
REV	DESCRIPTION
A	