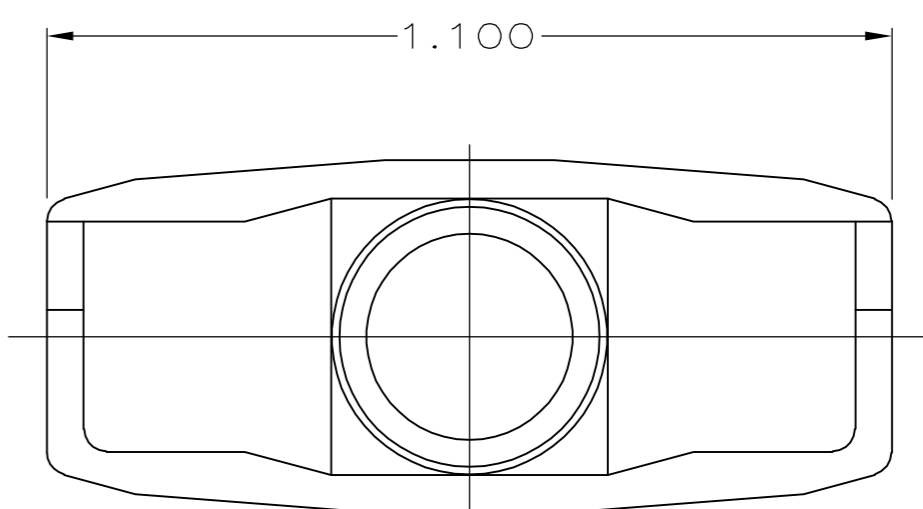
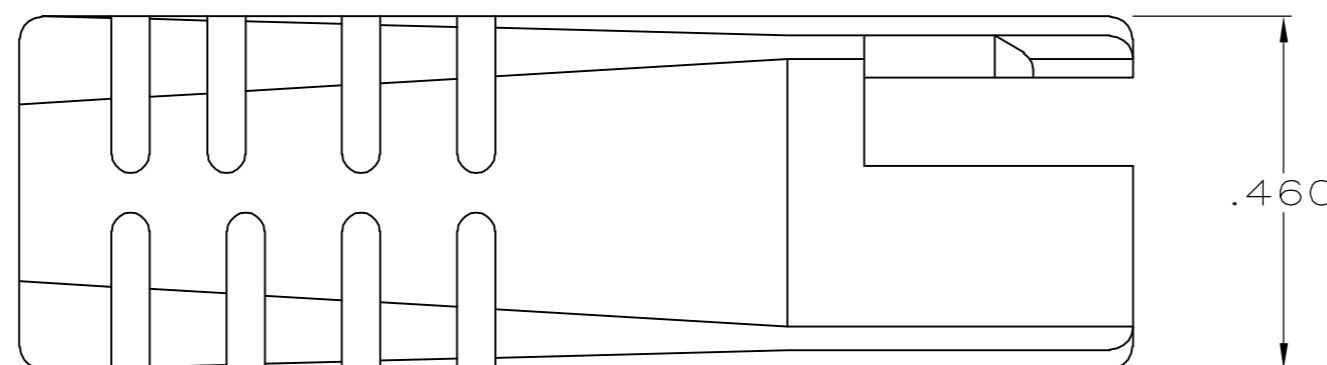
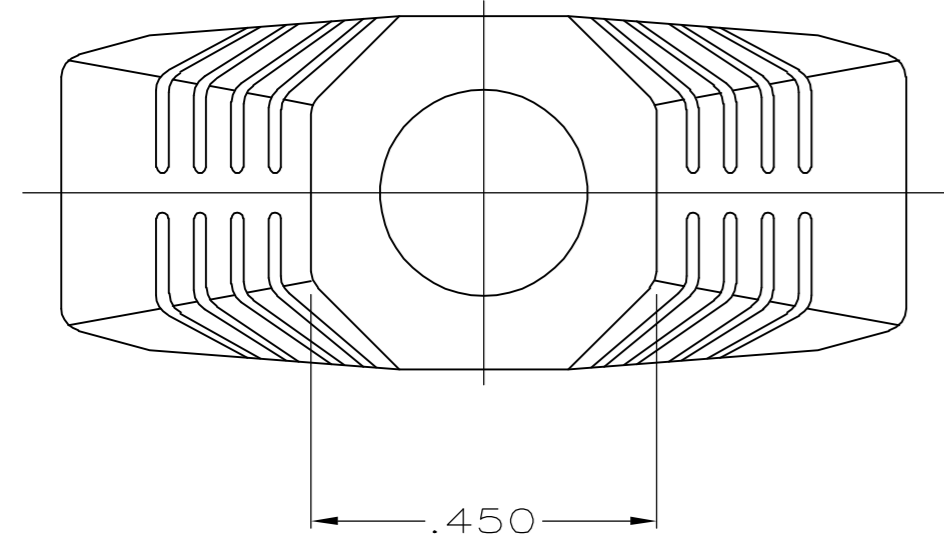
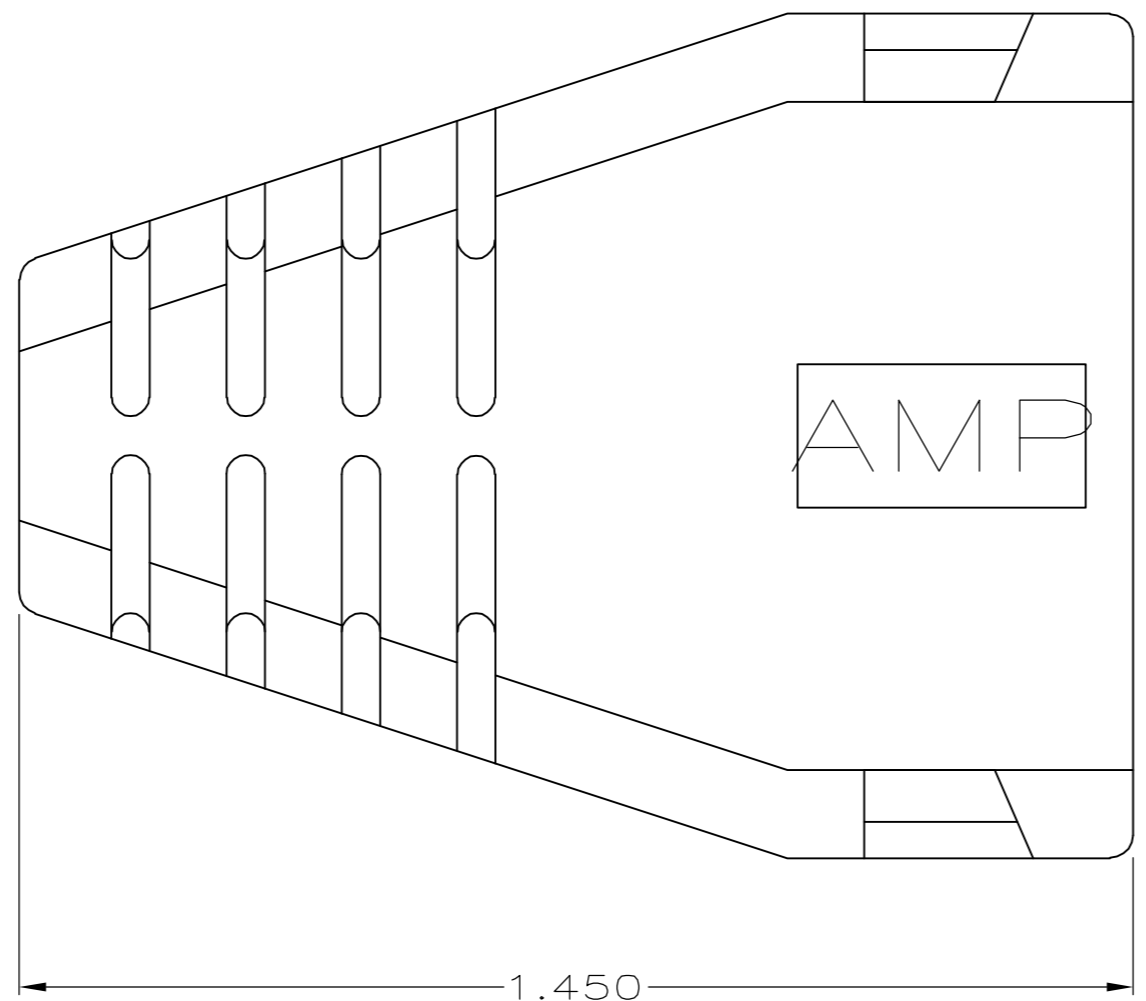


THIS DRAWING IS UNPUBLISHED. RELEASED FOR PUBLICATION
 © COPYRIGHT BY TYCO ELECTRONICS CORPORATION. ALL RIGHTS RESERVED.

LOC		DIST		REVISIONS			
P	LTR	DESCRIPTION		DATE	DWN	APVD	
	G	REV PER EC 0513-0331-05		18AUG06	-	CR	



1. BOOT ACCEPTS CABLE .229-.308 DIA.
2. SEE APPLICATION SPECIFICATIONS 114-2090 OR 114-2102 FOR ASSOCIATED PLUG AND CABLE SPECIFICATIONS.
3. SLIDE BOOT OVER UNTERMINATED CABLE, COMPLETE TERMINATION PER ABOVE SPECIFICATIONS, AND SLIDE BOOT OVER COMPLETED PLUG ASSEMBLY.

OBSOLETE	GRAY	520854-4
OBSOLETE	BLACK	520854-3
OBSOLETE	GRAY	520854-2
	BLACK	520854-1
	COLOR	PART NUMBER

THIS DRAWING IS A CONTROLLED DOCUMENT.		DWN	10/8/90	tyco Electronics		Tyco Electronics Corporation	
DIMENSIONS: INCHES		CHK	-			Harrisburg, PA 17105-3608	
TOLERANCES UNLESS OTHERWISE SPECIFIED:		APVD	-	NAME		16 POSITION SDL ROUND PLUG BOOT	
0 PLC ± -		PRODUCT SPEC	-	SIZE		CAGE CODE	DRAWING NO
1 PLC ± -		APPLICATION SPEC	-	A2		00779	C=520854
2 PLC ± -				WEIGHT		-	RESTRICTED TO
3 PLC ± .010				CUSTOMER DRAWING		SCALE	4:1
4 PLC ± -				SHEET		1 of 1	REV
ANGLES ± -				REV		G	
FINISH							
MATERIAL THERMOPLASTIC							

520854