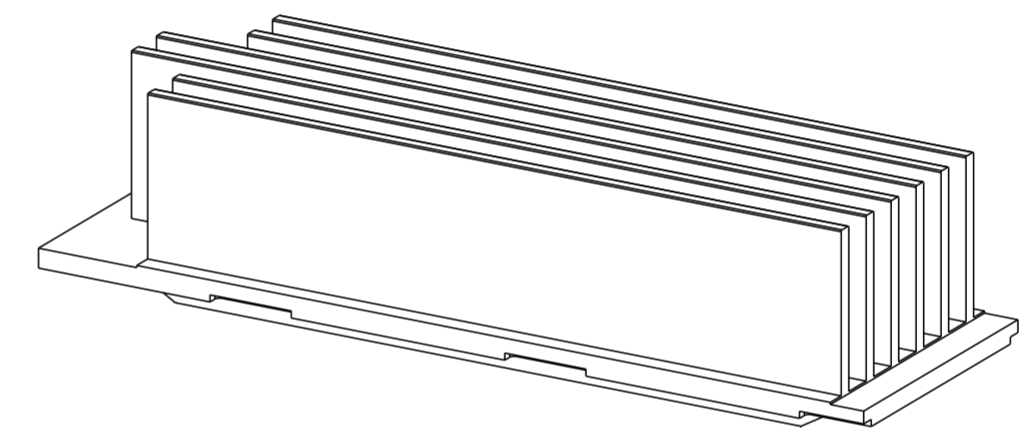
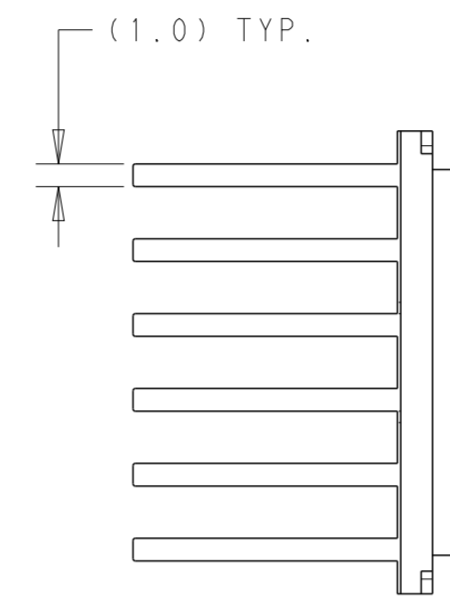
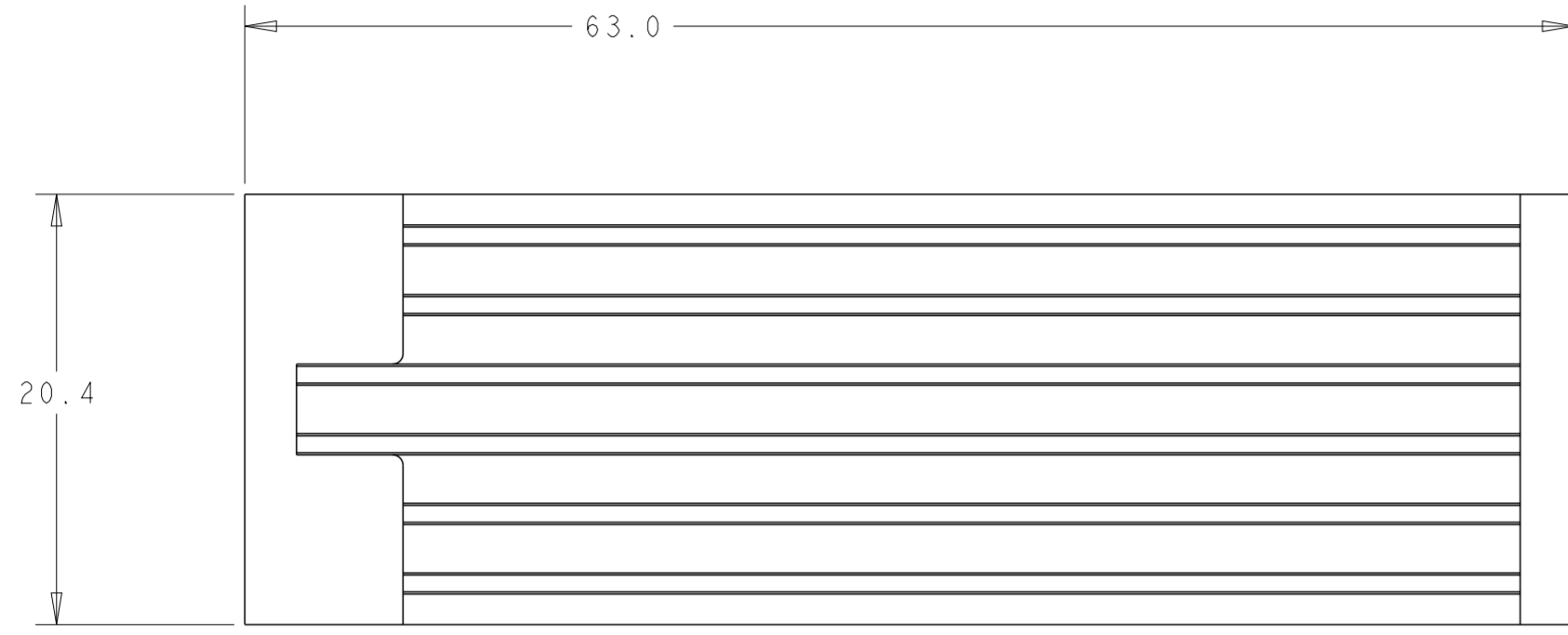
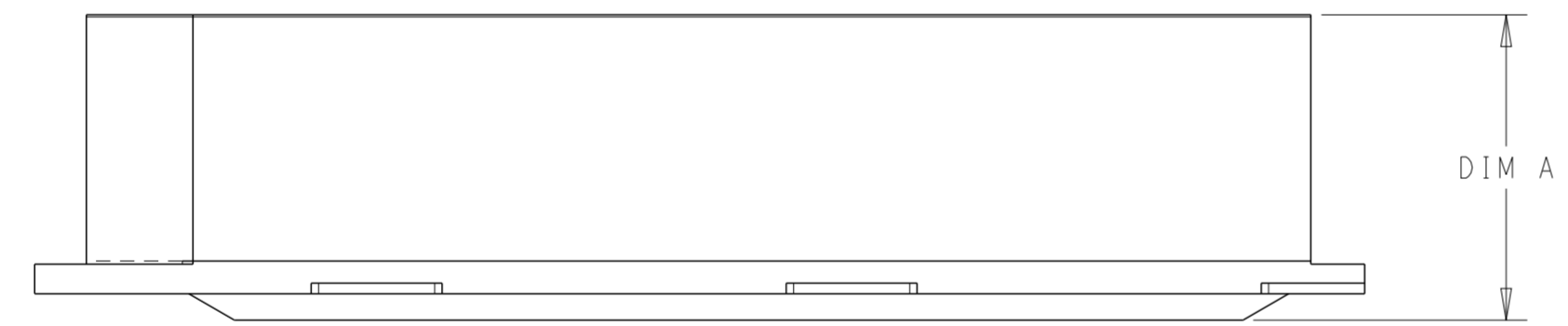


THIS DRAWING IS UNPUBLISHED. RELEASED FOR PUBLICATION 20
 © COPYRIGHT 20 BY - ALL RIGHTS RESERVED.

| REVISIONS | | | | |
|-----------|-----|---------------------------|-----------|-------|
| P | LTR | DESCRIPTION | DATE | APVD |
| 1 | | INITIAL RELEASE | 11OCT2016 | AD SH |
| 2 | | REVISED PER ECN-22-167680 | 03AUG2022 | AK SZ |
| | | | | |
| | | | | |



2288231-3 AS SHOWN
SCALE 2:1



- 1 MATERIAL: ALUMINUM ALLOY;
- 2 FINISH: ELECTROLESS NICKEL;
- 3 FINISH: ANODIZED BLACK;
- 4.0.2mm MAX BURR PERMISSIBLE
- 5.VARIATION IN PLATING COLOR IS NORMAL AND ALLOWED

| | | | |
|----------|--------|--------|-------------|
| OBSOLETE | 16.25 | 3 | 2288231-6 |
| OBSOLETE | 14.45 | 3 | 2288231-3 |
| STATUS | DIM. A | FINISH | PART NUMBER |

| | | | | |
|--|--|-------------------------|--|----------------------|
| THIS DRAWING IS A CONTROLLED DOCUMENT. | | DWN ANDY XIE 11OCT2016 | STE TE Connectivity | |
| DIMENSIONS: mm | | CHK SEAN HAN 11OCT2016 | | |
| TOLERANCES UNLESS OTHERWISE SPECIFIED: | | APVD SEAN HAN 11OCT2016 | NAME HEAT SINK, FRONT TO REAR AIRFLOW CFP4 | |
| 0 PLC ± | | PRODUCT SPEC - | SIZE A2 | |
| 1 PLC ±0.3 | | APPLICATION SPEC - | CAGE CODE - | DRAWING NO C-2288231 |
| 2 PLC ±0.25 | | WEIGHT - | RESTRICTED TO - | SCALE 1:1 |
| 3 PLC ±0.15 | | CUSTOMER DRAWING | SHEET 1 OF 1 | REV 2 |
| 4 PLC ± | | | | |
| ANGLES ± | | | | |
| FINISH - | | | | |