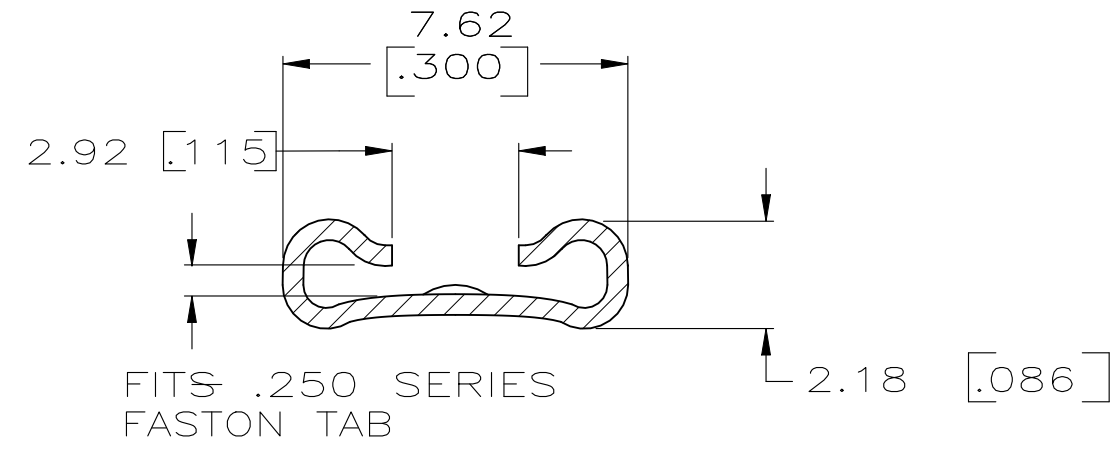
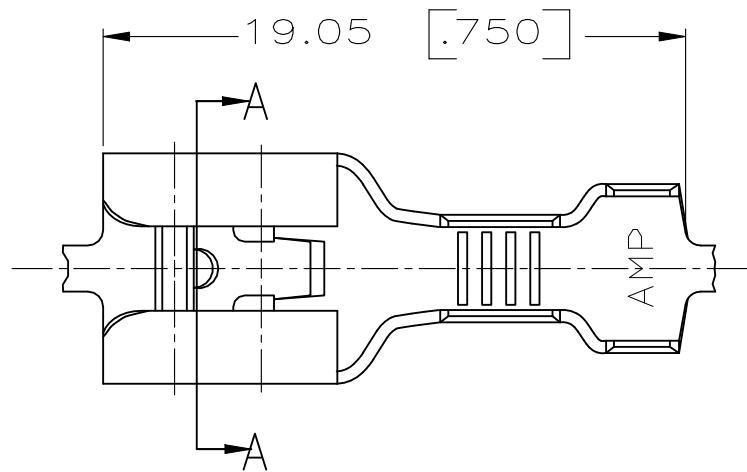


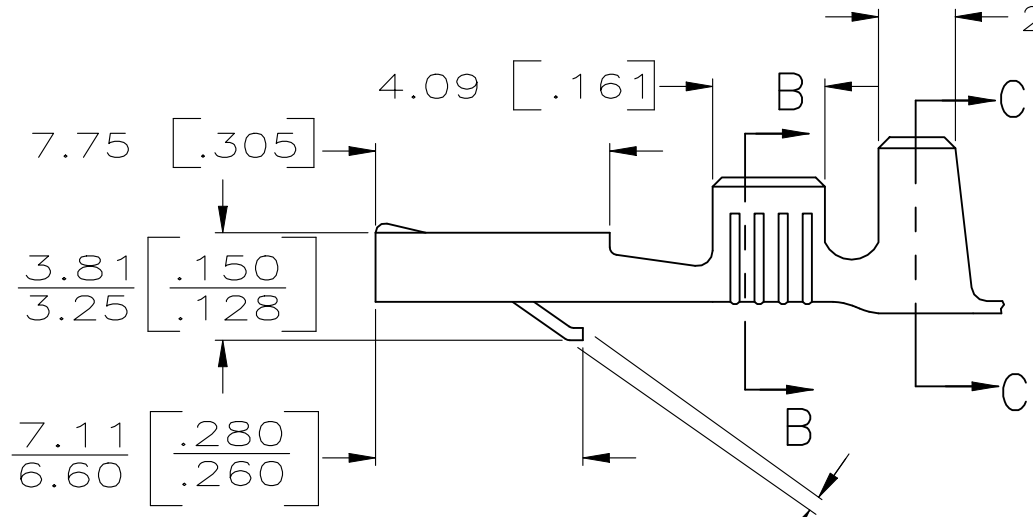
THIS DRAWING IS UNPUBLISHED. RELEASED FOR PUBLICATION  
 © COPYRIGHT - By - ALL RIGHTS RESERVED.

LOC	DIST	REVISIONS			
P	LTR	DESCRIPTION	DATE	DWN	APVD
AF	50	N	REVISED PER ECR-13-005733	28AUG2013	KH PD
		N1	REVISED PER ECR-22-142405	24AUG2022	VA EMS

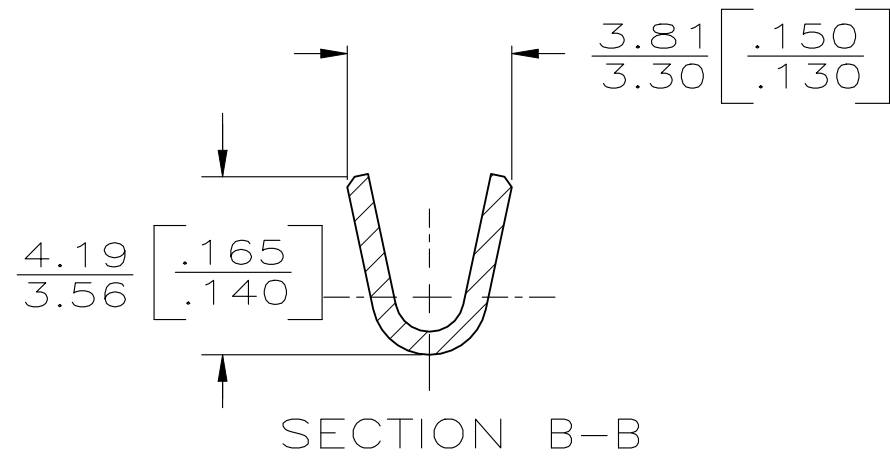
- 1 DIMENSIONS IN BRACKETS ARE IN INCHES.
- 2 CONTINUOUS STRIP ON REELS.



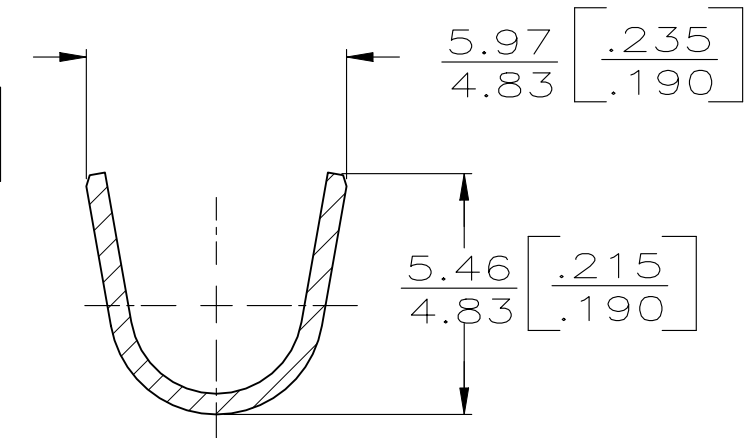
2.29 [0.090] SECTION A-A



0.64 [0.025] MAX ALLOWED IN DIRECTION OF CONTACT ONLY.



SECTION B-B



SECTION C-C

OBSOLETE	TIN	2.29-4.45 [0.090-.175]	0.8-2.0 mm <sup>2</sup> [18-14]	0.81 ±0.025	62530 2
		OR (2) 2.50 [0.100]	OR (2) 0.8 mm <sup>2</sup> #18	[0.032 ±0.001]	
SUPERSEDED BY 42281-1		2.29-4.45 [0.090-.175]	0.8-2.0 mm <sup>2</sup> [18-14]	0.81 ±0.025	62530 1
		OR (2) 2.50 [0.100]	OR (2) 0.8 mm <sup>2</sup> #18	[0.032 ±0.001]	
	FINISH	INSULATION RANGE	WIRE SIZE	TAB THK.	PART NO.

0	4.57 [0.180]	5.59 [0.220]	F	2.79 [0.110]	1.85 [0.073]	2.0mm <sup>2</sup> [14]
					1.63 [0.064]	1.3mm <sup>2</sup> [16]
					1.47 [0.058]	0.8mm <sup>2</sup> [18]
TYPE	WIDTH	STRIP LENGTH ±0.015	TYPE	WIDTH	±0.051 [±0.002] HEIGHT	WIRE
INSUL BARREL CRIMP			WIRE BARREL CRIMP			

THIS DRAWING IS A CONTROLLED DOCUMENT.

DIMENSIONS: INCHES

TOLERANCES UNLESS OTHERWISE SPECIFIED:

0 PLC	± -
1 PLC	± -
2 PLC	± -
3 PLC	± 0.38 [0.015]
4 PLC ANGLES	± -

MATERIAL: BRASS

FINISH: SEE TABLE

DWN: JR RUTH 2/3/86

CHK: MS FEHER 2/3/86

APVD: C MEYERS 2/3/86

PRODUCT SPEC: -

APPLICATION SPEC: -

WEIGHT: -

**STE** TE Connectivity

NAME: .250 SERIES FASTON-FASTON RECEPTACLE

SIZE: A3 CAGE CODE: 00779 DRAWING NO: C-62530 RESTRICTED TO: -

CUSTOMER DRAWING SCALE: NTS SHEET: 1 OF 1 REV: N1