

- 100/1000 Base-T for Ethernet Applications
- For PoE+ Applications. Compliant with IEEE802.3at
- Balanced DC Current: 720mA @ 57VDC
- RJ45 jack cavity conforms to FCC rules and regulations Part 68, SUB Part F
- Operating Temperature: 0°C to ±70°C
- Storage Temperature: -40°C to ±85°C

**Electrical Specifications @ 25°C**

OCL(μH Min) @100kHz		Turns Ratio @100kHz ±5%				Insertion Loss (dB Max)	
0.1V,8mA	0.1V,19mA	(P11-P10):(J1-J2)	(P4-P5):(J3-J6)	(P3-P2):(J4-J5)	(P8-P9):(J7-J8)	1-100MHz	100-125MHz
350	120	1 : 1	1 : 1	1 : 1	1 : 1	-1.0	-1.2

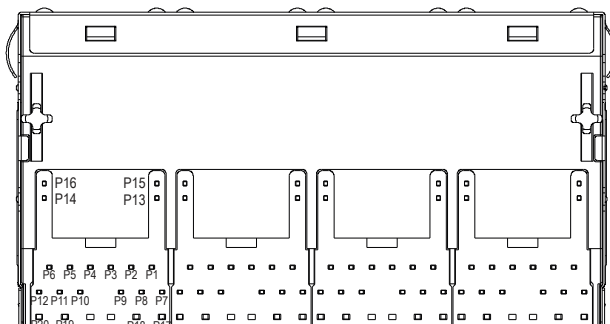
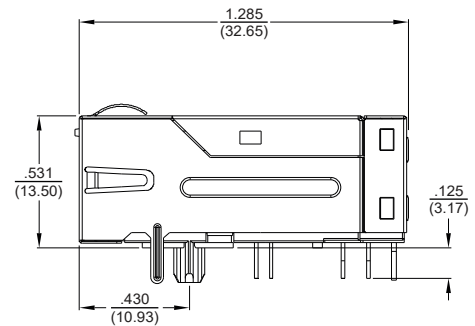
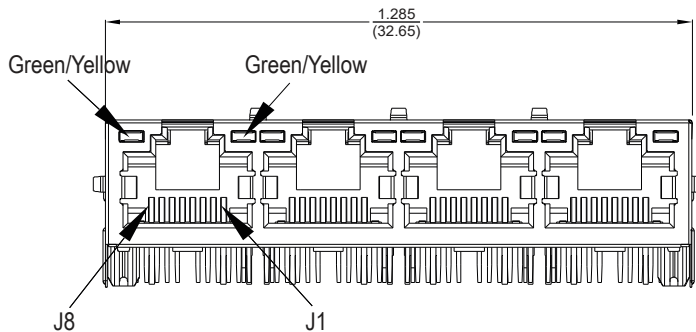
**Electrical Specifications @ 25°C**

Return Loss (dB Min)				DCR (Ω) Max	Cross Talk (dB Min) 1-100MHz	CCMA (dB Min) 1-100MHz	Isolation PHY to Line 2250 VDC
1-40MHz	40-60MHz	60-80MHz	80-100MHz				
-16	-12	-10	-8	1.2	-30	-30	

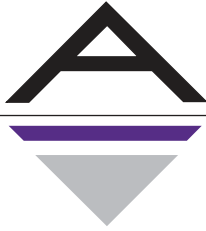
All specifications subject to change without notice.

**MECHANICAL**

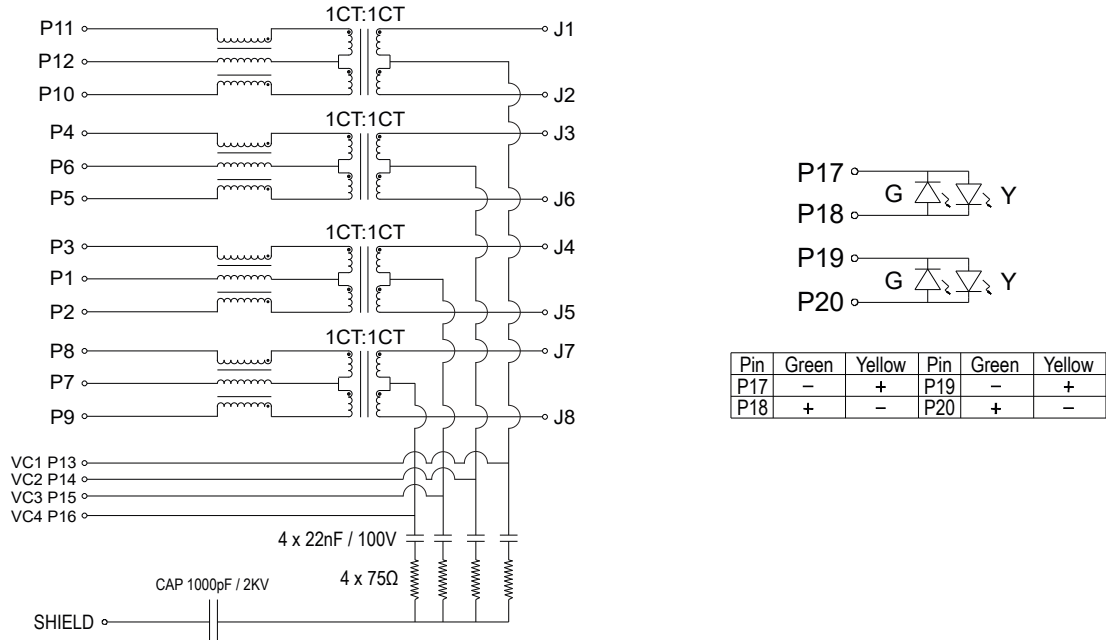
Dimensions: inch  
(mm)



\*Unless otherwise specified, all dimension tolerances are ±.010 (0.254)

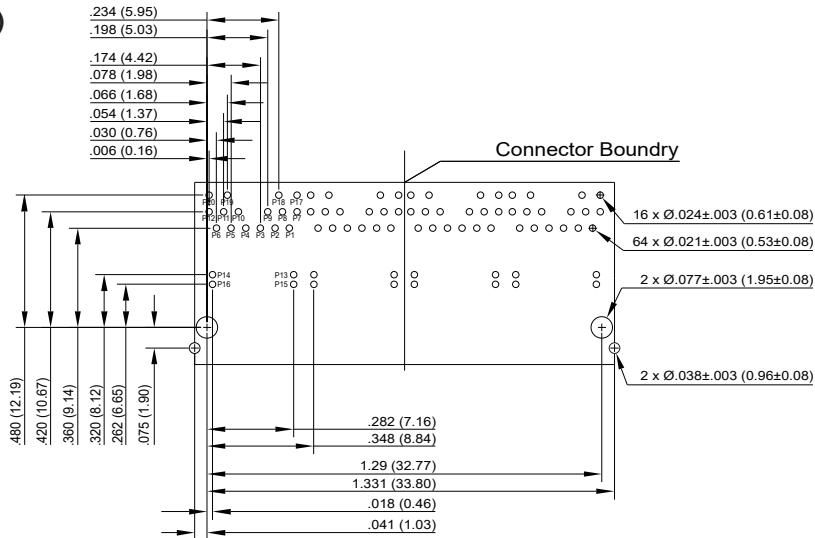


SCHEMATICS



PCB LAYOUT

Dimensions: inch (mm)



NOTES

- CONNECTOR MATERIAL:  
HOUSING: PBT BLACK UL94 V-0  
SHIELD: BRASS  
SHIELD PLATING: NICKEL  
CONTACT: PROSPHOR BRONZE  
CONTACT PLATING: SELECTIVE GOLD, 6μ" MIN IN CONTACT AREA
- PIN NOT ELECTRICALLY CONNECTED MAYBE OMITTED SEE ELECTRICAL DRAWING FOR OMITTED PINS
- THE PART IS RECOMMENDED FOR WAVE SOLDERING PROCESS  
PEAK SOLDERING TEMPERATURE IS 260°C MAX, 10 SECS MAX