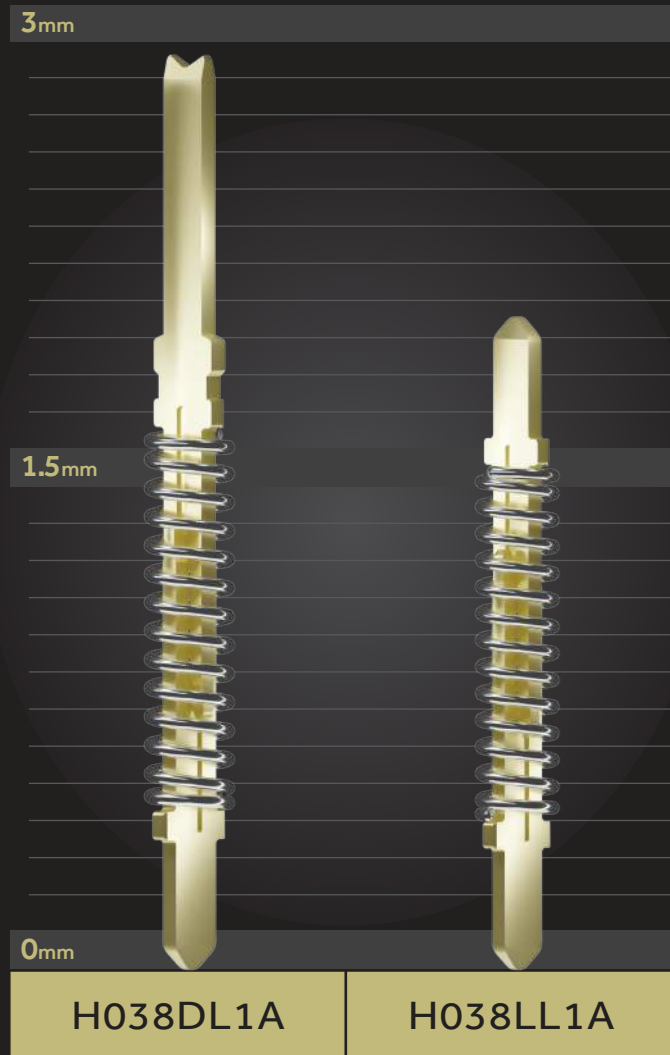


# H-PIN H038



The H-Pin H038 Series has an outside dimension of 0.38 mm and is ideally suited for applications with 0.50 mm pitch, but can also be used for larger pitch applications with shorter signal paths.



## MECHANICAL PROPERTIES

PITCH:	0.50mm (min)
WORKING TRAVEL:	0.43mm
CONTACT FORCE:	30.9gf
FULL LENGTH:	2.95mm
COMPRESSED LENGTH:	2.52mm
OPERATING TEMPERATURE:	+180°C
MECHANICAL LIFE:	+125,000 cycles

## ELECTRICAL PROPERTIES

CONTACT RESISTANCE:	<35mΩ
CURRENT RATING (FREE AIR):	2.9 amp
SELF INDUCTANCE:	0.88nH
BANDWIDTH @ -1DB:	15.7GHz

## MATERIALS

STAMPED CONTACT:	BeCu , Au Plate
SPRING:	SS, Au Plate

## DOWNLOADS



DATA SHEET



SALES DRAWING/DESIGN GUIDE



SIGNAL PERFORMANCE



DC PERFORMANCE



# H-PIN

H038 X X X X

## H-PIN SERIES

H038 – 0.50mm

## TOP CONTACTOR

U – Standard BGA

L – Standard LGA

D – Extended Tip BGA

## OPTIONS

A – Au Plating

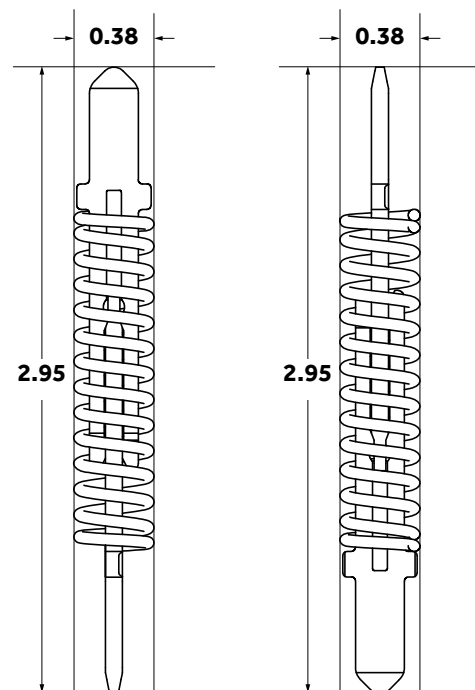
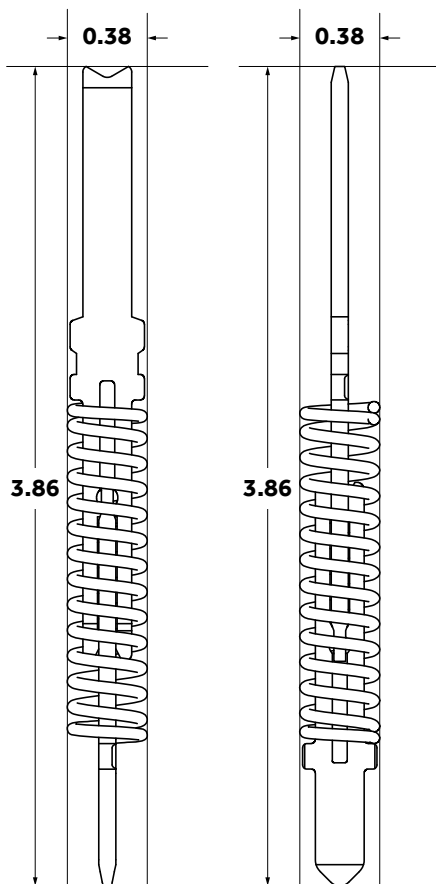
## SPRING TYPE

(full Deflection)

1 – 30.9gf

## BOTTOM CONTACTOR

L – Standard LGA



H038DL1A

H038LL1A