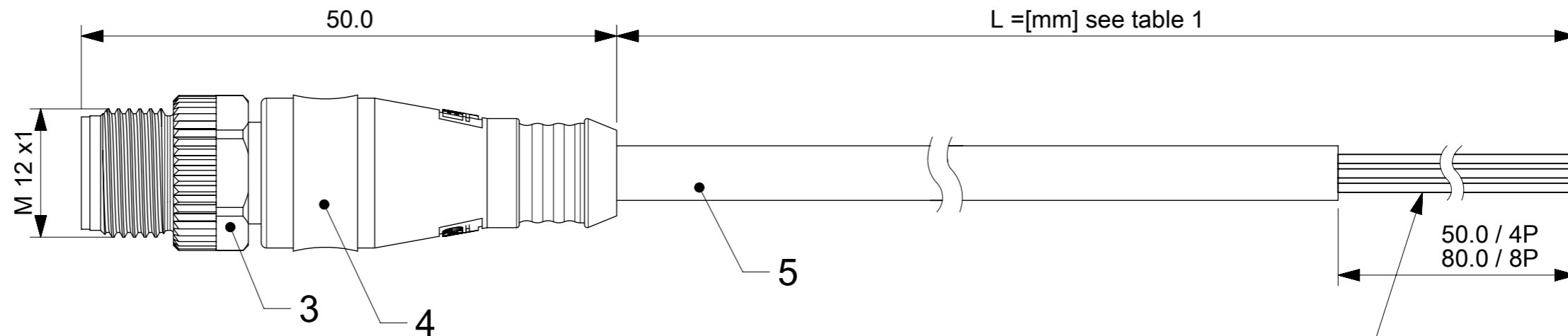
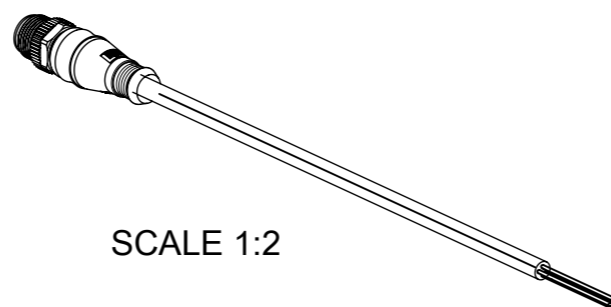


8 POL



(CABLE END PREPARATION FOR TESTING /in mm)
(Endbearbeitung am Kabelende für Prüfzwecke /in mm)



SCALE 1:2

TABLE 1

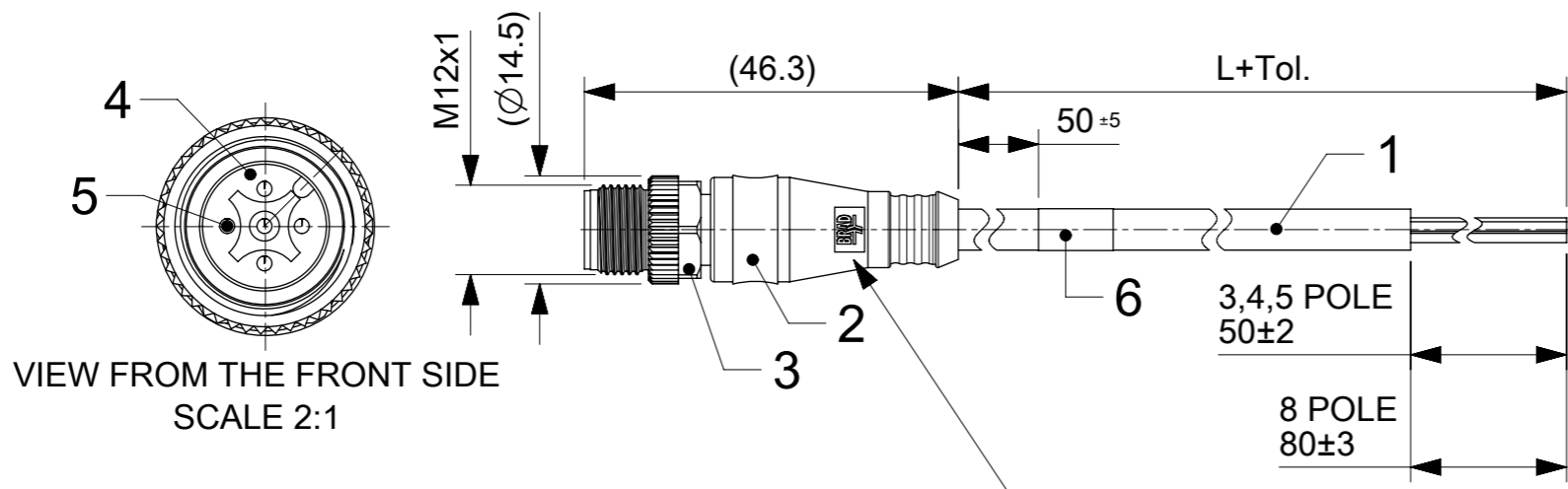
POL	MATERIAL-NO.	ENGINEERING-NO.	L [mm]	TOLERANCE [mm]
4 POL	1200652378	804006B30M010R	1000	+20mm /-10mm
	1200652379	804006B30M020R	2000	±25mm
	1200652380	804006B30M030R	3000	±25mm
	1200652381	804006B30M040R	4000	±25mm
	1200652382	804006B30M050R	5000	±25mm
8 POL	1200652383	808006B41M010R	1000	+20mm /-10mm
	1200652384	808006B41M020R	2000	±25mm
	1200652385	808006B41M030R	3000	±25mm
	1200652386	808006B41M040R	4000	±25mm
	1200652387	808006B41M050R	5000	±25mm

CONNECTOR SPECIFICATION / Steckverbindungs-Eigenschaften		
VOLTAGE RATING/Betriebsspannung	250V AC/DC	4 POL
	30V AC/DC	8 POL
AMPERAGE RATING/Bemessungsstrom	max. 4 AMPS (40°C)	4 POL
	max. 2 AMPS (40°C)	8 POL
PROTECTION/IP-Schutzart	IP67	4 + 8 POL
OPERATING TEMPERATURE/Temperaturbereich	max. -40°C TO +90°C	4 + 8 POL

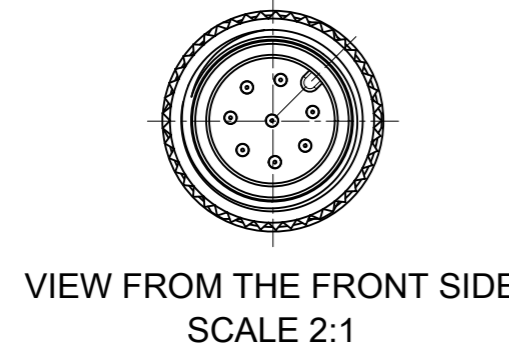
POS.	DESCRIPTION	MATERIAL	FINISH
1	INSERT MALE	PUR	BLACK
2	CONTACT MALE	BRASS (8P)	GOLD OVER NICKEL
		COPPER ALLOY (4P)	
3	NUT	BRASS	NICKEL PLATED
4	OVERMOULD	TPU	RED
5	CABLE	PUR	BLACK

THIS DRAWING CONTAINS INFORMATION THAT IS PROPRIETARY TO MOLEX ELECTRONIC TECHNOLOGIES, LLC AND SHOULD NOT BE USED WITHOUT WRITTEN PERMISSION

QUALITY SYMBOLS A = 0 E = 0 F = 0 G = 0 H = 0 I = 0 J = 0 K = 0 L = 0 M = 0 N = 0 O = 0 P = 0 Q = 0 R = 0 S = 0 T = 0 U = 0 V = 0 W = 0 X = 0 Y = 0 Z = 0	EC NO.: 104087 DRWN: ULETTENMEIER CHK'D: CBRUNS APPR: CBRUNS 2016/04/06 2016/04/07 2016/04/07	GENERAL TOLERANCES (UNLESS SPECIFIED) ANGULAR TOL ± 1.0 ° 4 PLACES ± 3 PLACES ± 2 PLACES ± 0.05 1 PLACE ± 0.3 0 PLACES ± 0.5		DIMENSION UNITS mm	SCALE 2:1			
		DRWN BY EJESKE		DATE 2015/11/04			CSE M12 4P AC MA STR PUR 1M SE UNSH BK BRASS AU	
		APPR BY RSILLER		DATE 2015/12/02				PRODUCT CUSTOMER DRAWING
		DRAFT WHERE APPLICABLE MUST REMAIN WITHIN DIMENSIONS		DRAWING SIZE A3	THIRD ANGLE PROJECTION		SERIES 120065	
RELEASE STATUS P1		RELEASE DATE 2016/04/07 10:04:39		DOCUMENT NUMBER 1200652378		DOC TYPE PSD	DOC PART 000	SHEET NUMBER 1 OF 1



VIEW FROM THE FRONT SIDE
SCALE 2:1



VIEW FROM THE FRONT SIDE
SCALE 2:1

OVERMOULD FOR CABLE DIA. MAX. 6.0 MM

OVERMOULD FOR CABLE DIA. BETWEEN ABOVE MIN. 6.0 TO BELOW MAX. 9.2 MM

NOTES:
 RATED VOLTAGE:
 3, 4 contacts 250V
 5 contacts 60V
 8 contacts 30V
 RATED CURRENT:
 3, 4, 5 contacts 4A
 8 contacts 2A
 PROTECTION CLASS: IP 67

CONTACTS POSITION FRONT VIEW:

	3 CONTACTS	4 CONTACTS	5 CONTACTS	8 CONTACTS																																																
MALE																																																				
CONNECTIONS	<table border="1"> <tr><th>PIN</th><th>WIRE</th></tr> <tr><td>1</td><td>BROWN</td></tr> <tr><td>3</td><td>BLUE</td></tr> <tr><td>4</td><td>BLACK</td></tr> </table>	PIN	WIRE	1	BROWN	3	BLUE	4	BLACK	<table border="1"> <tr><th>PIN</th><th>WIRE</th></tr> <tr><td>1</td><td>BROWN</td></tr> <tr><td>2</td><td>WHITE</td></tr> <tr><td>3</td><td>BLUE</td></tr> <tr><td>4</td><td>BLACK</td></tr> </table>	PIN	WIRE	1	BROWN	2	WHITE	3	BLUE	4	BLACK	<table border="1"> <tr><th>PIN</th><th>WIRE</th></tr> <tr><td>1</td><td>BROWN</td></tr> <tr><td>2</td><td>WHITE</td></tr> <tr><td>3</td><td>BLUE</td></tr> <tr><td>4</td><td>BLACK</td></tr> <tr><td>5</td><td>GREY OR GREEN/YELLOW</td></tr> </table>	PIN	WIRE	1	BROWN	2	WHITE	3	BLUE	4	BLACK	5	GREY OR GREEN/YELLOW	<table border="1"> <tr><th>PIN</th><th>WIRE</th></tr> <tr><td>1</td><td>WHITE</td></tr> <tr><td>2</td><td>BROWN</td></tr> <tr><td>3</td><td>GREEN</td></tr> <tr><td>4</td><td>YELLOW</td></tr> <tr><td>5</td><td>GREY</td></tr> <tr><td>6</td><td>PINK</td></tr> <tr><td>7</td><td>BLUE</td></tr> <tr><td>8</td><td>RED</td></tr> </table>	PIN	WIRE	1	WHITE	2	BROWN	3	GREEN	4	YELLOW	5	GREY	6	PINK	7	BLUE	8	RED
PIN	WIRE																																																			
1	BROWN																																																			
3	BLUE																																																			
4	BLACK																																																			
PIN	WIRE																																																			
1	BROWN																																																			
2	WHITE																																																			
3	BLUE																																																			
4	BLACK																																																			
PIN	WIRE																																																			
1	BROWN																																																			
2	WHITE																																																			
3	BLUE																																																			
4	BLACK																																																			
5	GREY OR GREEN/YELLOW																																																			
PIN	WIRE																																																			
1	WHITE																																																			
2	BROWN																																																			
3	GREEN																																																			
4	YELLOW																																																			
5	GREY																																																			
6	PINK																																																			
7	BLUE																																																			
8	RED																																																			

FOR OPTION SEE - NUMERICAL CODE - ON SHEET 2

ITEM	QTY.	DESCRIPTION	MATERIAL	FINISH
6	1	LABEL	VINYL	YELLOW
5	3/4/5	CONTACT MA	COPPER	GOLD OVER Ni-PLATED
	8	CONTACT MA	BRASS	GOLD OVER Ni-PLATED
4	1	INSERT M12 MA XP	PUR	BLACK
3	1	COUPLING NUT M12 MA	SEE SHEET 2	SEE SHEET 2
2	-	OVERMOULDING	TPU	SEE SHEET 2
1	-	CABLE	SEE SHEET 2	-

THIS DRAWING CONTAINS INFORMATION THAT IS PROPRIETARY TO MOLEX ELECTRONIC TECHNOLOGIES, LLC AND SHOULD NOT BE USED WITHOUT WRITTEN PERMISSION

FUNCTIONAL SYMBOLS: $\nabla_A = 0$, $\nabla_E = 0$, $\nabla_F = 0$

DIMENSION UNITS: mm | SCALE: 1:1

GENERAL TOLERANCES (UNLESS SPECIFIED):
 ANGULAR TOL $\pm 1.0^\circ$
 4 PLACES \pm
 3 PLACES \pm
 2 PLACES ± 0.05
 1 PLACE ± 0.3
 0 PLACES ± 0.5

DIVISIONAL SYMBOLS: DRAFT WHERE APPLICABLE MUST REMAIN WITHIN DIMENSIONS

THIRD ANGLE PROJECTION:

DRAWING: A3-SIZE | SERIES: 120065 | MATERIAL NUMBER: SEE SHEET 3 | CUSTOMER: GENERAL MARKET | SHEET NUMBER: 1 OF 3

EC NO: 704766 | DRWN: ARPITT | 2022/04/27 | CHK'D: RSILLER | 2022/04/28 | APPR: RSILLER | 2022/04/28

INITIAL REVISION: DRWN: MDHARMANTI | 2021/10/01 | APPR: RSILLER | 2021/10/06

CURRENT REV DESC: NEW PN ADDED

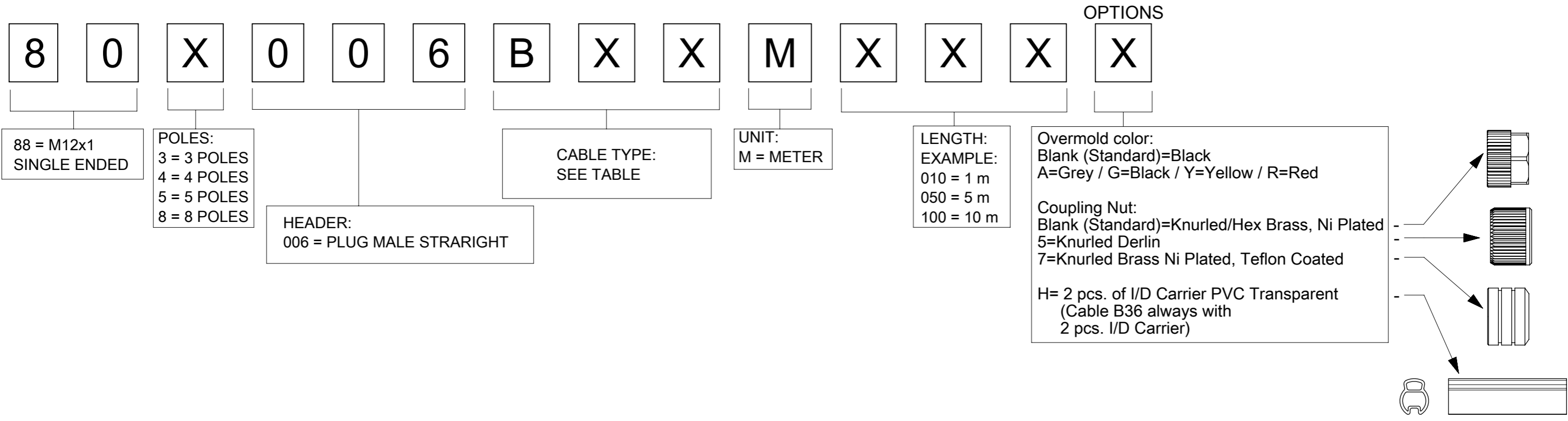
molex

CSE M12 XP AC MA STR WSOR XM SE UNSH

PRODUCT CUSTOMER DRAWING

DOCUMENT NUMBER: 1200659964 | DOC TYPE: PSD | DOC PART: 000 | REVISION: A3

ENGINEERING NO - NUMERICAL CODE (Available parts see PART LIST table. Other parts available upon request).



CABLE INFORMATION (for more information see Cable Data Sheet)

CABLE TYPE	NO. OF WIRES	CROSS SECTION	CABLE JACKET	UL	CSA	STATIC: TEMP. / BENDING RADIUS	DYNAMIC: TEMP. / BENDING RADIUS	DRAG CHAIN: TEMP. / BENDING RADIUS	DRAG CHAIN	CABLE PRODUCT SPECIFICATION	CABLE SPEC. DRAWING
B30	3 / 4 / 5	0.34mm ²	TPU Black	UL 21215/758	C22.2 I/II A/B 80°/600V	-40°C to +90°C 5xO.D.	-25°C to +80°C 7.5xO.D.	-5°C to +60°C 7.5xO.D.	up to 5 000 000 cycles at temp 20°C	1552200001	SD-120209-001
B33	4 / 5	0.34mm ²	TPU Gray								SD-120209-001
B36	4 / 5	0.34mm ²	TPU Orange								SD-120209-001
B41	8	0.25mm ²	TPU Black								SD-120209-006
B42	5	0.34mm ²	TPU Black								SD-120209-001
B49	8	0.25mm ²	TPU Orange								SD-120209-006
B55	3 / 4 / 5	0.34mm ²	TPU Yellow								n/a

FUNCTIONAL SYMBOLS	THIS DRAWING CONTAINS INFORMATION THAT IS PROPRIETARY TO MOLEX ELECTRONIC TECHNOLOGIES, LLC AND SHOULD NOT BE USED WITHOUT WRITTEN PERMISSION	CURRENT REV DESC: NEW PN ADDED		molex																		
	<table border="1"> <tr> <th>FUNCTIONAL SYMBOLS</th> <th>DIMENSION UNITS</th> <th>SCALE</th> </tr> <tr> <td>$\nabla/A = 0$</td> <td>mm</td> <td>1:1</td> </tr> <tr> <td colspan="3">GENERAL TOLERANCES (UNLESS SPECIFIED)</td> </tr> <tr> <td>$\nabla/E = 0$</td> <td colspan="2">ANGULAR TOL ± 1.0°</td> </tr> <tr> <td>$\nabla/P = 0$</td> <td>4 PLACES</td> <td>±</td> </tr> </table>	FUNCTIONAL SYMBOLS	DIMENSION UNITS				SCALE	$\nabla/A = 0$	mm	1:1	GENERAL TOLERANCES (UNLESS SPECIFIED)			$\nabla/E = 0$	ANGULAR TOL ± 1.0°		$\nabla/P = 0$	4 PLACES	±	EC NO: 704766 DRWN: ARPITT 2022/04/27 CHK'D: RSILLER 2022/04/28 APPR: RSILLER 2022/04/28		CSE M12 XP AC MA STR WSOR XM SE UNSH
FUNCTIONAL SYMBOLS	DIMENSION UNITS	SCALE																				
$\nabla/A = 0$	mm	1:1																				
GENERAL TOLERANCES (UNLESS SPECIFIED)																						
$\nabla/E = 0$	ANGULAR TOL ± 1.0°																					
$\nabla/P = 0$	4 PLACES	±																				
DIVISIONAL SYMBOLS	<table border="1"> <tr> <th>DIVISIONAL SYMBOLS</th> <th>PLACES</th> <th>TOLERANCE</th> </tr> <tr> <td>$\nabla/P = 0$</td> <td>3 PLACES</td> <td>±</td> </tr> <tr> <td></td> <td>2 PLACES</td> <td>± 0.05</td> </tr> <tr> <td></td> <td>1 PLACE</td> <td>± 0.3</td> </tr> <tr> <td></td> <td>0 PLACES</td> <td>± 0.5</td> </tr> </table>		DIVISIONAL SYMBOLS	PLACES	TOLERANCE	$\nabla/P = 0$	3 PLACES	±		2 PLACES	± 0.05		1 PLACE	± 0.3		0 PLACES	± 0.5	INITIAL REVISION: DRWN: MDHARMANTI 2021/10/01 APPR: RSILLER 2021/10/06		PRODUCT CUSTOMER DRAWING		
DIVISIONAL SYMBOLS	PLACES	TOLERANCE																				
$\nabla/P = 0$	3 PLACES	±																				
	2 PLACES	± 0.05																				
	1 PLACE	± 0.3																				
	0 PLACES	± 0.5																				
DRAFT WHERE APPLICABLE MUST REMAIN WITHIN DIMENSIONS		THIRD ANGLE PROJECTION	DRAWING	SERIES	MATERIAL NUMBER	CUSTOMER	DOCUMENT NUMBER	DOC TYPE	DOC PART	REVISION												
			A3-SIZE	120065	SEE SHEET 3	GENERAL MARKET	1200659964	PSD	000	A3												
										SHEET NUMBER												
										2 OF 3												

PART LIST

MOLEX P/N	ENGINEERING No.	LENGTH [mm]
3P CABLE B30		
1200652271	803006B30M010	1000
1200652272	803006B30M020	2000
1200652273	803006B30M050	5000
1200652274	803006B30M100	10000
4P CABLE B30		
1200656066	804006B30M005	500
1200652275	804006B30M010	1000
1200652378	804006B30M010R	1000
1200652276	804006B30M020	2000
1200652379	804006B30M020R	2000
1200656001	804006B30M030	3000
1200652380	804006B30M030R	3000
1200656002	804006B30M040	4000
1200652381	804006B30M040R	4000
1200652277	804006B30M050	5000
1200652382	804006B30M050R	5000
1200656296	804006B30M080	8000
1200652278	804006B30M100	10000
1200659440	804006B30M150	15000
1200657234	804006B30M200	20000
5P CABLE B30		
1200659964	805006B30M006	600
1200659526	805006B30M010	1000
1200659527	805006B30M020	2000
1200656679	805006B30M030	3000
1200659528	805006B30M050	5000
1200659529	805006B30M100	10000
1200656398	805006B30M150	15000
1200656399	805006B30M200	20000
1200656400	805006B30M300	30000
1200656401	805006B30M500	50000

MOLEX P/N	ENGINEERING No.	LENGTH [mm]
4P CABLE B33		
1200656489	804006B33M003A	300
1200656521	804006B33M005A	500
1200656487	804006B33M010A	1000
1200659451	804006B33M020	2000
1200659596	804006B33M020A	2000
1200656522	804006B33M030A	3000
1200659597	804006B33M050A	5000
1200657152	804006B33M070A	7000
1200656488	804006B33M100A	10000
1200656614	804006B33M150A	15000
1200657156	804006B33M200A	20000
1200657154	804006B33M300A	30000
5P CABLE B33		
1200657186	805006B33M005A	500
1200656673	805006B33M010A	1000
1200659452	805006B33M020	2000
1200656674	805006B33M020A	2000
1200656675	805006B33M030A	3000
1200656676	805006B33M050A	5000
1200656677	805006B33M100A	10000
1200656678	805006B33M150A	15000
1200657187	805006B33M200A	20000
1200657188	805006B33M300A	30000
1200657189	805006B33M400A	40000
1200657190	805006B33M500A	50000
4P CABLE B36		
1200656855	804006B36M0207Y	2000
1200657220	804006B36M0507Y	5000
1200657221	804006B36M0807Y	8000
1200657222	804006B36M1007Y	10000
1200657223	804006B36M1507Y	15000
1200657224	804006B36M2007Y	20000
5P CABLE B36		
1200656552	805006B36M1007Y	10000

MOLEX P/N	ENGINEERING No.	LENGTH [mm]
8P CABLE B41		
1200659680	808006B41M003	300
1200652302	808006B41M010	1000
1200652383	808006B41M010R	1000
1200659453	808006B41M020	2000
1200652384	808006B41M020R	2000
1200659776	808006B41M030	3000
1200652385	808006B41M030R	3000
1200656003	808006B41M040	4000
1200652386	808006B41M040R	4000
1200652304	808006B41M050	5000
1200652387	808006B41M050R	5000
1200652305	808006B41M100	10000
5P CABLE B42		
1200652279	805006B42M010	1000
1200652280	805006B42M020	2000
1200652281	805006B42M050	5000
1200652282	805006B42M100	10000
1200659546	805006B42M200	20000
1200659547	805006B42M300	30000
4P CABLE B55		
1200656634	804006B55M010Y	1000
1200656635	804006B55M020Y	2000
1200656636	804006B55M030Y	3000
1200659943	804006B55M050Y	5000
1200659944	804006B55M100Y	10000
1200656637	804006B55M150Y	15000
5P CABLE B55		
1200656680	805006B55M010Y	1000
1200656681	805006B55M020Y	2000
1200656682	805006B55M030Y	3000
1200659945	805006B55M050Y	5000
1200659946	805006B55M100Y	10000
1200659947	805006B55M150Y	15000

CABLE LENGTH TOLERANCES

LENGTH	TOLERANCE
0m-1m	+40 mm
>1m-5m	+60 mm
>5m-10m	+80 mm
>10m-20m	+140 mm
>20m-30m	+160 mm
>30m	+1% length

FUNCTIONAL SYMBOLS	THIS DRAWING CONTAINS INFORMATION THAT IS PROPRIETARY TO MOLEX ELECTRONIC TECHNOLOGIES, LLC AND SHOULD NOT BE USED WITHOUT WRITTEN PERMISSION	SCALE	1:1	CURRENT REV DESC: NEW PN ADDED
mm	GENERAL TOLERANCES (UNLESS SPECIFIED)	4 PLACES	±	EC NO: 704766
ANGULAR TOL	± 1.0 °	3 PLACES	±	DRWN: ARPITT
DIVISIONAL SYMBOLS	2 PLACES	± 0.05	2 PLACES	CHK'D: RSILLER
1 PLACE	± 0.3	0 PLACES	± 0.5	APPR: RSILLER
DRAFT WHERE APPLICABLE MUST REMAIN WITHIN DIMENSIONS	THIRD ANGLE PROJECTION	DRAWING	SERIES	INITIAL REVISION:
		A3-SIZE	120065	DRWN: MDHARMANTI
				APPR: RSILLER
				2022/04/27
				2022/04/28
				2021/10/01
				2021/10/06
DOCUMENT STATUS	P1	RELEASE DATE	2022/04/28	08:57:32
molex		CSE M12 XP AC MA STR WSOR XM SE UNSH		
PRODUCT CUSTOMER DRAWING				
DOCUMENT NUMBER	1200659964	DOC TYPE	PSD	DOC PART
REVISION	000	SHEET NUMBER	3 OF 3	