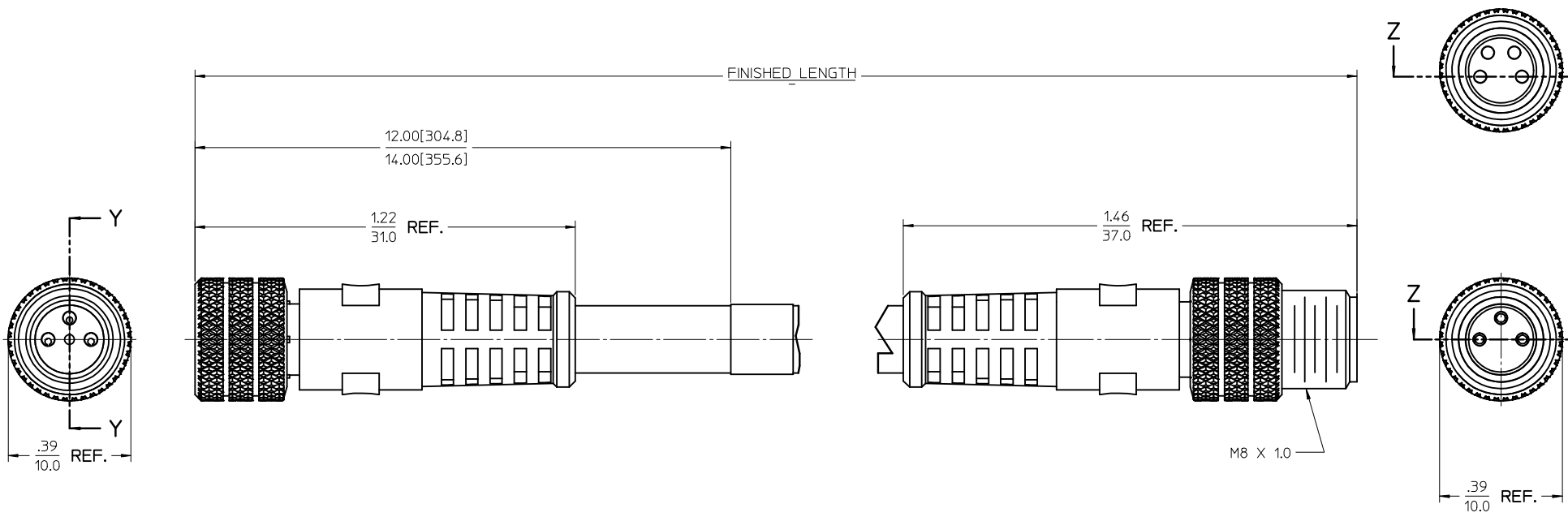


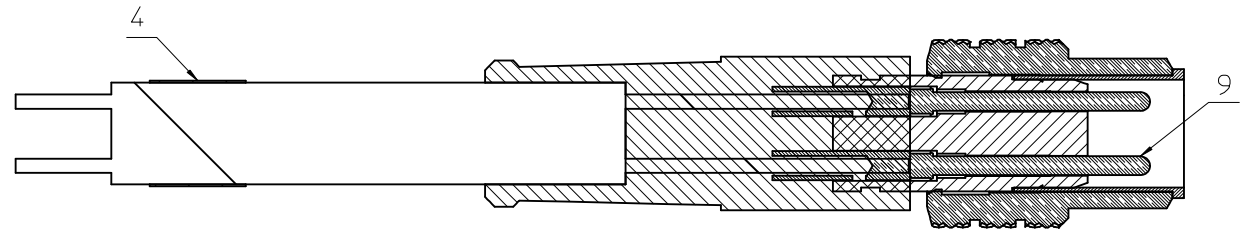
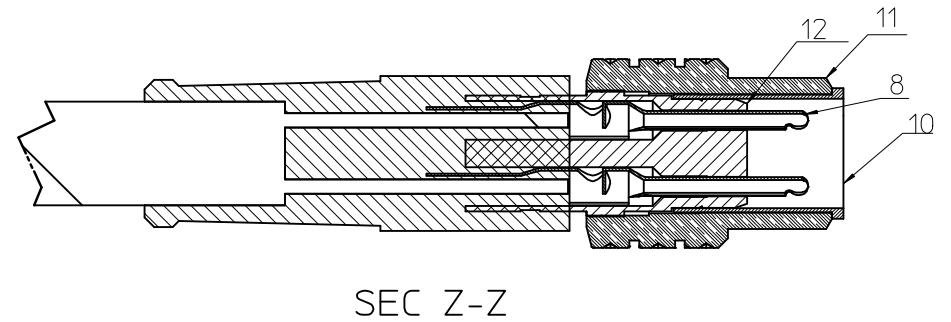
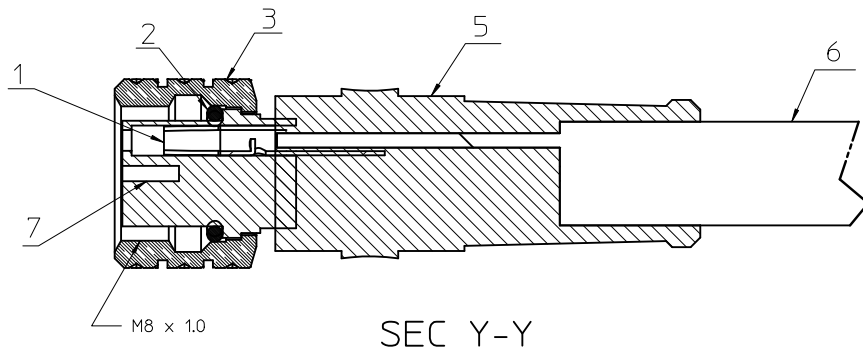
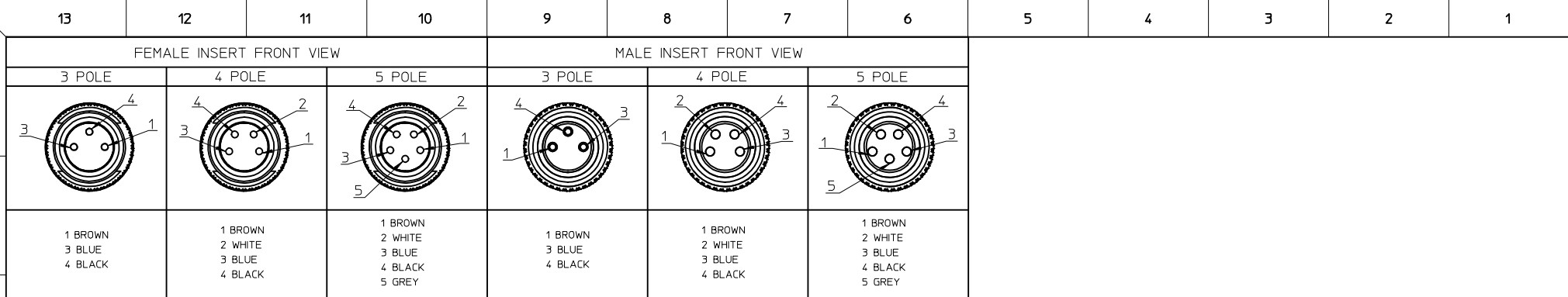
13 12 11 10 9 8 7 6 5 4 3 2 1

J
I
H
G
F
E
D
C
B
A



ENTER DESCRIPTION EC NO: WEU2010-0057 DRWN: BWOODMAN, WEU 2009/08/19 CHKD: JAPPR: JFMURPHY 2009/08/21 REV: A	QUALITY SYMBOLS ▽=0 ▽=0	GENERAL TOLERANCES (UNLESS SPECIFIED) <table border="1"> <thead> <tr> <th></th> <th>mm</th> <th>INCH</th> </tr> </thead> <tbody> <tr> <td>4 PLACES</td> <td>± .01</td> <td>± .0005</td> </tr> <tr> <td>3 PLACES</td> <td>± .02</td> <td>± .0008</td> </tr> <tr> <td>2 PLACES</td> <td>± .03</td> <td>± .0012</td> </tr> <tr> <td>1 PLACE</td> <td>± .05</td> <td>± .0020</td> </tr> </tbody> </table> ANGULAR ±1/2°		mm	INCH	4 PLACES	± .01	± .0005	3 PLACES	± .02	± .0008	2 PLACES	± .03	± .0012	1 PLACE	± .05	± .0020	DIMENSION STYLE IN/MM DRAWN BY: BWOODMAN CHECKED BY: RSTONE APPROVED BY: JFMURPHY MATERIAL NO.	DATE: 18/08/09 DATE: 18/08/09 DATE: 18/08/09	SCALE: 4:1 DESIGN UNITS: INCH THIRD ANGLE PROJECTION	TITLE: NC 4P M/MFE ST/ST CPLR 24 PUR MOLEX INCORPORATED DOCUMENT NO. SD-120028-001	SHEET NO. 1 OF 3
		mm	INCH																			
	4 PLACES	± .01	± .0005																			
	3 PLACES	± .02	± .0008																			
2 PLACES	± .03	± .0012																				
1 PLACE	± .05	± .0020																				
DRAFT WHERE APPLICABLE MUST REMAIN WITHIN DIMENSIONS		SEE SHEET 3	THIS DRAWING CONTAINS INFORMATION THAT IS PROPRIETARY TO MOLEX INCORPORATED AND SHOULD NOT BE USED WITHOUT WRITTEN PERMISSION																			

1b_frame_C_P_AM_T Rev. E 2006/04/15 12 11 10 9 8 7 6 5 4 3 2 1



ENTER DESCRIPTION EC NO: WEU2010-0057 DRWN: BWOODMAN_WEU2009/08/19 CHKD: APPR: JFMURPHY 2009/08/21 REV A	QUALITY SYMBOLS = 0 = 0	GENERAL TOLERANCES (UNLESS SPECIFIED) <table border="1"> <tr> <th></th> <th>mm</th> <th>INCH</th> </tr> <tr> <td>4 PLACES</td> <td>± ---</td> <td>± ---</td> </tr> <tr> <td>3 PLACES</td> <td>± ---</td> <td>± ---</td> </tr> <tr> <td>2 PLACES</td> <td>± ---</td> <td>± .01</td> </tr> <tr> <td>1 PLACE</td> <td>± 0.3</td> <td>± ---</td> </tr> </table>		mm	INCH	4 PLACES	± ---	± ---	3 PLACES	± ---	± ---	2 PLACES	± ---	± .01	1 PLACE	± 0.3	± ---	DIMENSION STYLE IN/MM DRAWN BY: BWOODMAN DATE: 18/08/09 CHECKED BY: RSTONE DATE: 18/08/09 APPROVED BY: JFMURPHY DATE: 18/08/09	SCALE: 5:1 DESIGN UNITS: INCH THIRD ANGLE PROJECTION	TITLE NC 4P M/MFE ST/ST CPLR 24 PUR	MATERIAL NO. SEE SHEET 3	DOCUMENT NO. SD-120028-001	SHEET NO. 2 OF 3
		mm	INCH																				
	4 PLACES	± ---	± ---																				
	3 PLACES	± ---	± ---																				
2 PLACES	± ---	± .01																					
1 PLACE	± 0.3	± ---																					
DRAFT WHERE APPLICABLE MUST REMAIN WITHIN DIMENSIONS		SIZE C THIS DRAWING CONTAINS INFORMATION THAT IS PROPRIETARY TO MOLEX INCORPORATED AND SHOULD NOT BE USED WITHOUT WRITTEN PERMISSION																					

J
I
H
G
F
E
D
C
B
A

SL.No	DESCRIPTION	MATERIAL	FINISH	FEMALE INSERT ASSEMBLY			MALE INSERT ASSEMBLY		
				3 POLE	4 POLE	5 POLE	3 POLE	4 POLE	5 POLE
				QTY			QTY		
1	CONTACT SOCKET	COPPER ALLOY	GOLD PLATED	3	4	5			
2	O-RING	VITON	RED	1	1	1			
3	COUPLING NUT	BRASS	NICKEL PLATED						
4	LABEL	PLASTIC FILM	BLACK/YELLOW	1	1	1	1	1	1
5	OVER MOLD	TPE	YELLOW						
6	CABLE, 24 AWG, 3 CONDUCTOR	PUR JACKET	YELLOW	1			1		
	CABLE, 24 AWG, 4 CONDUCTOR	PUR JACKET	YELLOW		1			1	
	CABLE, 24 AWG, 5 CONDUCTOR	PUR JACKET	YELLOW			1			1
7	INSERT FEMALE 3 POLE	PUR	BLACK	1					
	INSERT FEMALE 4 POLE	PUR	BLACK		1				
	INSERT FEMALE 5 POLE	PUR	BLACK			1			
8	STAMP & FORM CONTACT	COPPER ALLOY	GOLD PLATED				3		
9	SCREW MACHINE CONTACT	COPPER ALLOY	GOLD PLATED					4	5
10	SLEEVE	BRASS	NICKEL PLATED				1	1	1
11	COUPLING NUT	BRASS	NICKEL PLATED				1	1	1
12	INSERT MALE 3 POLE	PUR	BLACK				1		
	INSERT MALE 4 POLE	PUR	BLACK					1	
	INSERT MALE 5 POLE	PUR	BLACK						1

PART NUMBER	DESCRIPTION	FINISHED LENGTH
1200280681	443030P03M006	0.6M +45MM -0 [1' 11" +1.8" -0]
1200870515	443030P03M010	1M +56MM -0 [3' 3" +2.2" -0]
1200280682	443030P03M020	2M +90MM -0 [6' 6" +3.5" -0]
1200280947	443030P03M030	3M +90MM -0 [9' 10" +3.5" -0]
1200281269	443030P03M040	4M +150MM -0 [13' 1" +6" -0]
1200280870	443030P03M050	5M +150MM -0 [16' 4" +6" -0]
1200280473	444030P03M006	0.6M +45MM -0 [1' 11" +1.8" -0]
1200280365	444030P03M010	1M +56MM -0 [3' 3" +2.2" -0]
1200280696	444030P03M020	2M +90MM -0 [6' 6" +3.5" -0]
1200280697	444030P03M030	3M +90MM -0 [9' 10" +3.5" -0]
1200870686	444030P03M040	4M +150MM -0 [13' 1" +6" -0]
1200280970	444030P03M050	5M +150MM -0 [16' 4" +6" -0]
1200870687	445030P03M006	0.6M +45MM -0 [1' 11" +1.8" -0]
1200281309	445030P03M010	1M +56MM -0 [3' 3" +2.2" -0]
1200878035	445030P03M020	2M +90MM -0 [6' 6" +3.5" -0]
1200870688	445030P03M030	3M +90MM -0 [9' 10" +3.5" -0]
1200878036	445030P03M040	4M +150MM -0 [13' 1" +6" -0]
1200281310	445030P03M050	5M +150MM -0 [16' 4" +6" -0]

ENTER DESCRIPTION EC NO: WEU2010-0057 DRAWN: BWOODMAN, WEU 2009/08/19 CHKD: APPR: JFMURPHY, 2009/08/21 REV: A	QUALITY SYMBOLS ▽=0 ▽=0	GENERAL TOLERANCES (UNLESS SPECIFIED)		DIMENSION STYLE IN/MM		SCALE 5:1	DESIGN UNITS INCH	THIRD ANGLE PROJECTION		
		4 PLACES ± --- INCH 3 PLACES ± --- INCH 2 PLACES ± --- INCH 1 PLACE ± 0.3 INCH		mm INCH		DRAWN BY DATE BWOODMAN 18/08/09		TITLE NC 4P M/MFE ST/ST CPLR 24 PUR		
		ANGULAR ±1/2°		CHECKED BY DATE RSTONE 18/08/09		APPROVED BY DATE JFMURPHY 18/08/09		MOLEX INCORPORATED		
		DRAFT WHERE APPLICABLE MUST REMAIN WITHIN DIMENSIONS		SEE CHART		MATERIAL NO.		DOCUMENT NO. SD-120028-001		SHEET NO. 3 OF 3

THIS DRAWING CONTAINS INFORMATION THAT IS PROPRIETARY TO MOLEX INCORPORATED AND SHOULD NOT BE USED WITHOUT WRITTEN PERMISSION