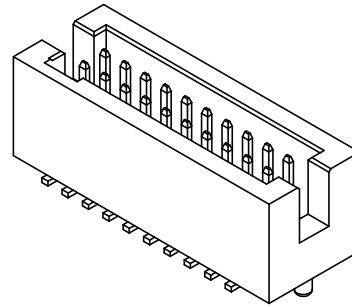
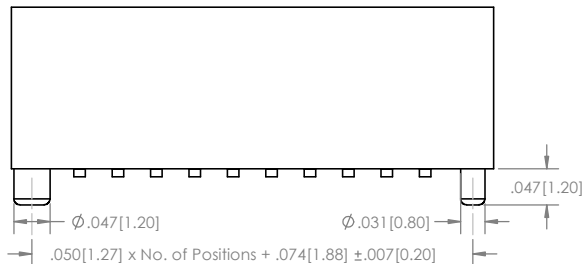
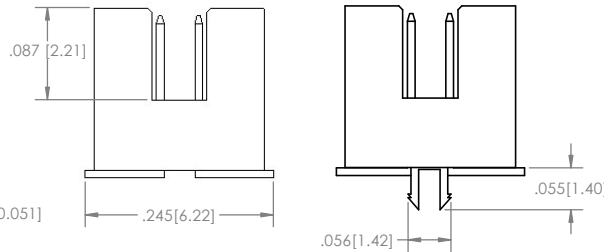


**Alignment Pin Option (-AP)**

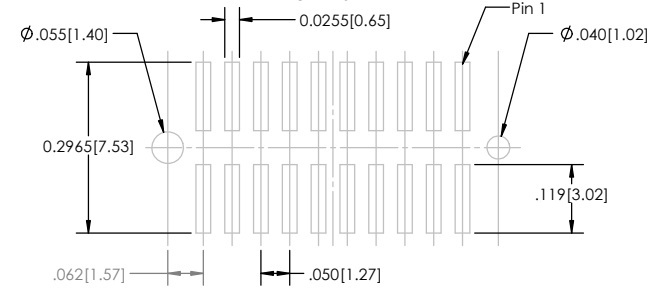


**Locking Clip Option (-C)**



**Recommended P.C. Board Layout**

SCALE 6:1



PTSHSM-5 **XX** - **D** - **XX** - **XX** - **XX** - **X** - **XX** - **X** - **LF**  
**(A)** **(B)** **(C)** **(D)** **(E)** **(F)** **(G)** **(H)** **(I)**

- A. Pins Per Row
  - 5 through 40
- B. Row Specification
  - D= Dual Row
- C. Pin Options
  - See Pin Options below
- D. Plating Options
  - See Plating Options below
- E. Alignment Pin
  - Leave blank if not needed
  - AP= With
- F. Locking Clip
  - Leave blank if not needed
  - C= With
- G. Packing Information
  - TR= Tape and Reel
  - TB= Tube
- H. Pad
  - P= Plastic
  - O= No Pad
  - If left blank, packaging at MLE's discretion
  - Pad may be metal, mylar or plastic
- I. Lead Free

Mates with:  
PSSHS  
PSSHSM

Plating options	
G	-10µ Gold on Contact Area/ Flash on Tail
T	-Matte Tin all Over
GT	-10µ Gold on Contact Area/ Matte Tin on Tail
H	-30µ Gold on Contact Area/ Matte Tin on Tail
F	-Gold Flash over Entire Pin
FT	- Gold Flash on Contact Area/ Matte Tin on Tail

Pin Options	
Body Height	
.224	5.70mm 02
.287	7.30mm 06
.354	9.00mm 10
.433	11.00mm 14

Body Height + .016 [0.40] = Overall Height

**Specifications:**  
 Current Rating: 1.0 Ampere  
 Insulation Resistance: 1000M Ohms Min.  
 Dielectric Withstanding: 300V AC  
 Contact Resistance: 20M Ohms Max.  
 Operation Temperature: -40°C to +105°C  
 Max. Process Temperature  
 Peak: 260°C up to 10 secs.  
 Process: 230°C up to 60 secs.  
 Wave: 260°C up to 6 secs.  
 Reflow: 260°C up to 10 secs.  
 Manual Solder: 350°C up to 5 secs.

**Materials:**  
 Contact Material: Phosphor Bronze  
 Insulator Material: Nylon 6T  
 Plating: Au or Sn over 50µ" (1.27) Ni  
 Tails may be clipped to achieve specific dimensions.

Products cut to specific sizes are uncancellable/ nonreturnable.  
 Parts are subject to change without notice.



PROPRIETARY AND CONFIDENTIAL  
 THE INFORMATION CONTAINED IN THIS DRAWING IS THE SOLE PROPERTY OF Major League Electronics. ANY REPRODUCTION IN PART OR AS A WHOLE WITHOUT THE WRITTEN PERMISSION OF Major League Electronics IS PROHIBITED.

UNLESS OTHERWISE SPECIFIED:  
 DIMENSIONS ARE IN INCHES  
 TOLERANCES:  
 ONE DECIMALS ±.100  
 TWO DECIMALS ±.010  
 THREE DECIMALS ±.005  
 FOUR DECIMALS ±.002

NAME	DATE
DRAWN: EOW	05/05/16
CHECKED: GWE	05/05/16
ENG APPR.	
MFG APPR.	

INTERPRET GEOMETRIC TOLERANCING PER:	FINISH
MATERIAL	
APPLICATION	DO NOT SCALE DRAWING

**MAJOR LEAGUE Electronics**

2533 Centennial Blvd.  
 Jeffersonville, IN 47130  
 Phone: 812-670-4174  
 Fax: 812-670-4175  
 E-Mail: mle@ml-electronics.com

TITLE: PTSHSM-5 SERIES  
 SIZE DWG. NO. **C**  
 SCALE 8:1

REV **G**  
 SHEET 1 OF 1