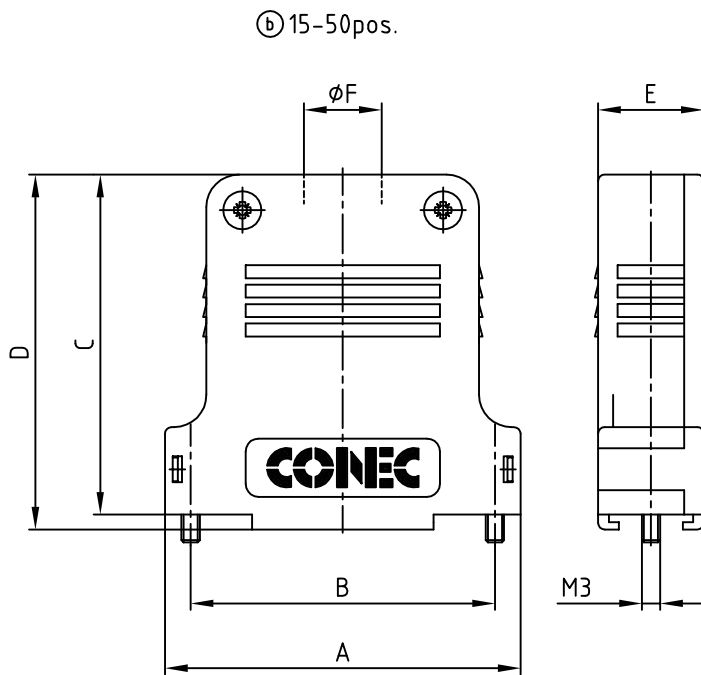
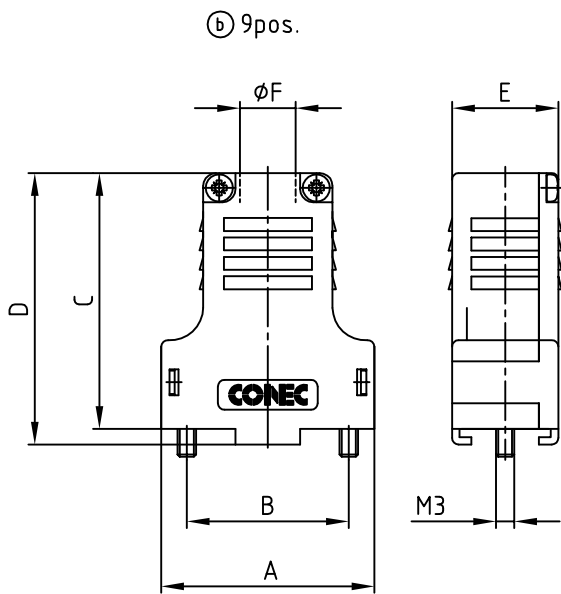


used for: D-SUB



b) c)

No. of pos.	A	B	C	D	E	ØF	Part-NO. Single package	Part-NO. Bulk package
9	32.9	25.0	39.5	41.8	16.3	11.0	165X14509XE	165X14509X
15	41.2	33.3	45.5	47.8	16.3	11.0	165X14519XE	165X14519X
25	54.9	47.0	52.5	54.8	16.3	12.0	165X14529XE	165X14529X
37	71.4	63.5	55.0	57.8	18.7	15.0	165X14539XE	165X14539X
50	69.0	61.1	55.0	57.8	19.5	14.0	165X14549XE	165X14549X

HOOD ASSEMBLY CONSISTS OF:

- 1 x HOOD + COVER: PBT UL 94 V-0; BLACK
- 1 x PRESS INSERT: PBT UL 94 V-0; BLACK
- 2 x JACKSCREWS: BRASS; NICKEL PLATED
- 2 x SCREW FOR STRAIN RELIEF: STEEL; NICKEL PLATED
- 2 x COVER SCREWS: STEEL; NICKEL PLATED
- 1 x STRAIN RELIEF: STEEL; NICKEL PLATED

TECHNICAL DATA:

- TEMPERATURE RANGE: -40°C to +125°C

Directive 2002/95/EC RoHS compliant

APPROVAL * FREIGABE * DEBLOCAGE * AUTORIZACION * APPROVAL	
CUSTOMER APPROVAL DATE:	
NAME:	TITLE:
COMPANY NAME:	
APPROVAL * FREIGABE * DEBLOCAGE * AUTORIZACION * APPROVAL	

THIS DRAWING MAY NOT BE COPIED OR REPRODUCED IN ANY WAY, AND MAY NOT BE PASSED ON TO A THIRD PARTY, WITHOUT WRITTEN PERMISSION. OWNERSHIP AND COPYRIGHT OF CONEC GmbH DO NOT ALTER CAD DRAWING BY HAND

rev.	description	date	name
3 x c	Ä5307	25.08.2014	E.Mick, d-old
4 x b	Ä 2544	03.08.2006	Lehmen
a	Origin		

tolerance		dim. in mm
2001	date	name
drawn	23.11.	Parei
appd.	23.11.	Resonnek
norm		

scale:	1:1
material:	SEE DRAWING
title: PLASTIC HOOD 9-50pos. with straight cable exit	
dwg no:	AutoCAD 2006 DIN-A 16K1A380A 3 sh:1/1
part no:	SEE TABLE

