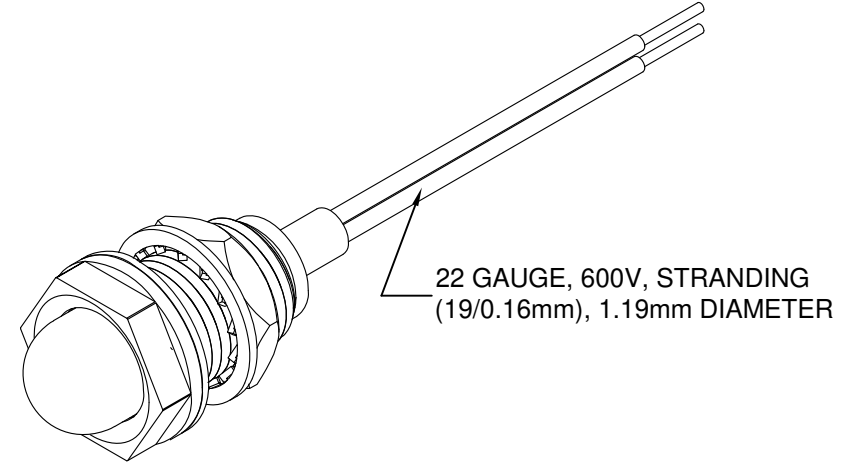
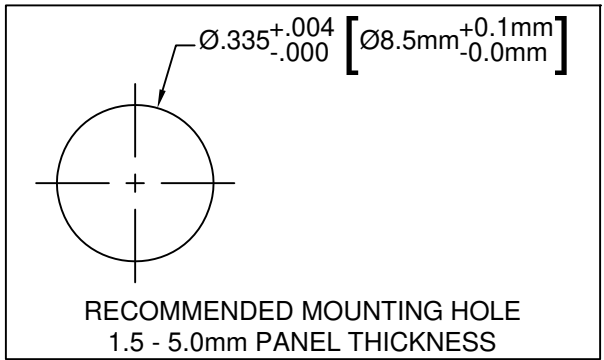
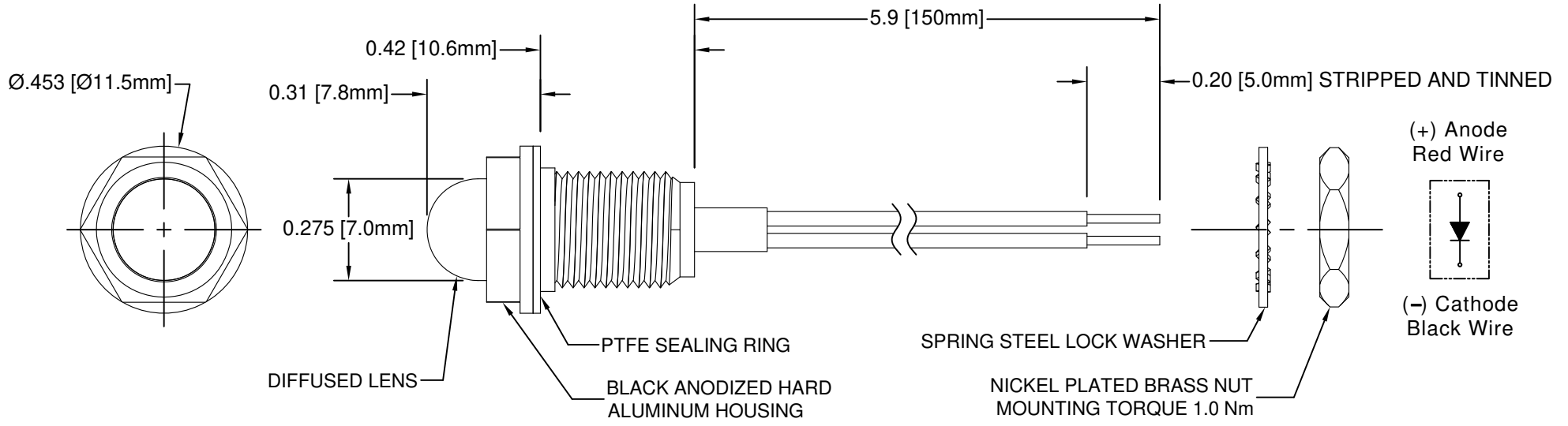


| REV. | DESCRIPTION | DATE | APPROVED |
|------|--------------------------------|----------|----------|
| B | Engineering Release | 07/28/11 | T. Y. |
| C | Added Wire Specs | 02/13/13 | T. Y. |
| D | Engineering Update w/o Changes | 08/11/16 | J. C. |
| | | | |



- NOTES:**
1. SEALED TO IP68 RATING
 2. HEXAGON BEZEL
 3. ROHS COMPLIANT
 4. MOUNTING HARDWARE SHIPPED NON-ASSEMBLED
 5. INSERT PTFE RING ON PANEL MOUNT ASSEMBLY PRIOR TO PANEL INSTALLATION

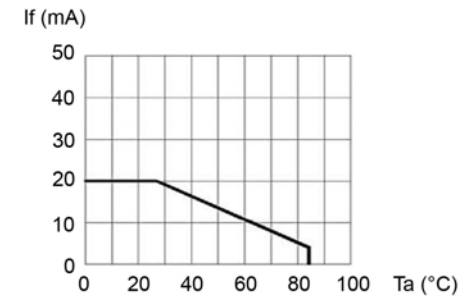
| | | | |
|--|---------|--|---|
| STANDARD TOLERANCE (UNLESS OTHERWISE SPECIFIED) | | 4 THOMAS, IRVINE, CA. 92618 TEL: (949) 951-8808 FAX: (949) 951-3974 | |
| DECIMALS | ANGULAR | | |
| .X ± .1 | X° ± 1° | | TITLE: WATER TIGHT PANEL MOUNT LED ASSEMBLY, 8.5MM MOUNTING |
| .XX ± .02 | | | |
| .XXX ± .010 | | DESIGNED: R. Paje | DATE: 02/23/11 |
| CHECKED: T. Yin | | REVISION: D | |
| DATE: 02/23/11 | | PART NO: PM5-AP7XXX | |
| | | CAGE CODE : 32559 SHEET # 1 OF 2 | |
| CAD GENERATED DOCUMENT. DO NOT MEASURE DRAWING. | | | |

| REV. | DESCRIPTION | DATE | APPROVED |
|------|--------------|------|----------|
| | SEE SHEET #1 | | |

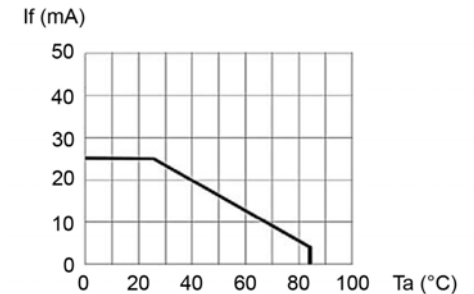
| Part Number | Peak Wave Length λ_p (nm) | Emitted Color | Lens Appearance | Electro-Optical Data @ 20mA | | Viewing Angle |
|--------------|-----------------------------------|---------------|-----------------|-----------------------------|----------|---------------|
| | | | | Vf (VDC) | Iv (mcd) | |
| | | | | TYP | TYP | |
| PM5-AP7R2.0V | 630 | RED | RED DIFFUSED | 2.0 | 600 | 160 |
| PM5-AP7Y2.0V | 585 | YELLOW | YELLOW DIFFUSED | 2.0 | 600 | 160 |
| PM5-AP7G3.4V | 515 | GREEN | GREEN DIFFUSED | 3.4 | 800 | 160 |
| PM5-AP7B3.4V | 465 | BLUE | BLUE DIFFUSED | 3.4 | 400 | 160 |

| Part Number | Chromaticity Coordinates | Emitted Color | Lens Appearance | Electro-Optical Data @ 20mA | | Viewing Angle |
|--------------|--------------------------|---------------|-----------------|-----------------------------|----------|---------------|
| | | | | Vf (VDC) | Iv (mcd) | |
| | | | | TYP | TYP | |
| PM5-AP7W3.4V | X=0.31, Y=0.32 | WHITE | WHITE DIFFUSED | 3.4 | 1200 | 160 |

DERATING CURVES





EMITTED COLORS: RED/YELLOW



EMITTED COLORS: GREEN/BLUE/WHITE

ABSOLUTE MAXIMUM RATINGS (Ta = 25°C)

MAXIMUM REVERSE VOLTAGE _____ 3V
 MAXIMUM POWER DISSIPATION _____ 75 mW
 OPERATING TEMPERATURE RANGE _____ -40°C ~ 95°C
 STORAGE TEMPERATURE _____ -40°C ~ 100°C

| | | | |
|--|--------------------------|---|--|
| STANDARD TOLERANCE (UNLESS OTHERWISE SPECIFIED) | |  4 THOMAS, IRVINE, CA. 92618 TEL: (949) 951-8808 FAX: (949) 951-3974 | |
| DECIMALS | ANGULAR | | |
| DESIGNED: R. Paje | DATE: 02/23/11 |  TITLE: WATER TIGHT PANEL MOUNT LED ASSEMBLY, 8.5MM MOUNTING PART NO: PM5-AP7XXX | REVISION: D |
| CHECKED: T. Yin | DATE: 02/23/11 | | CAGE CODE : 32559 SHEET # 2 OF 2 |
| CAD GENERATED DOCUMENT. DO NOT MEASURE DRAWING. | | | |