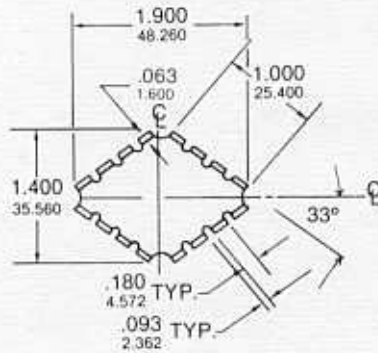
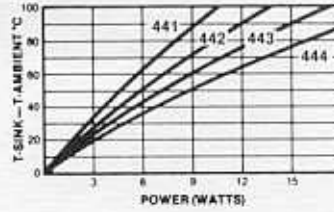


Standard Heat Sinks



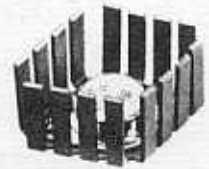
Material... 1100-H14 Aluminum
Finish..... Black Anodize



Suggested hole patterns:

DEVICE	HOLE PATTERN
TO-66	03B
TO-3	01E
TO-220	14X
TO-3	01N

Other hole patterns available
See pages 27-32



7-441 - 7-444

Low Power