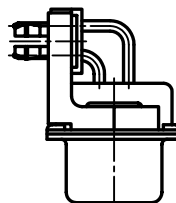
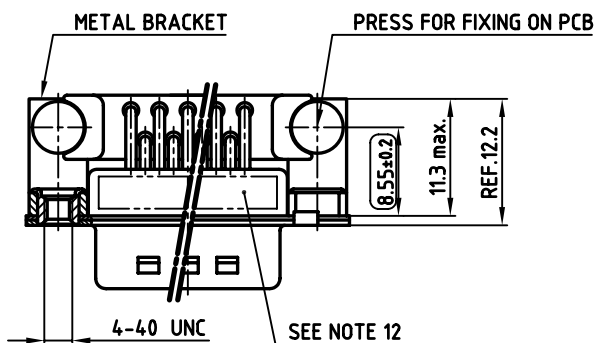
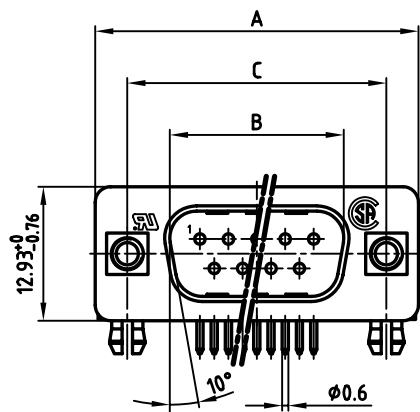
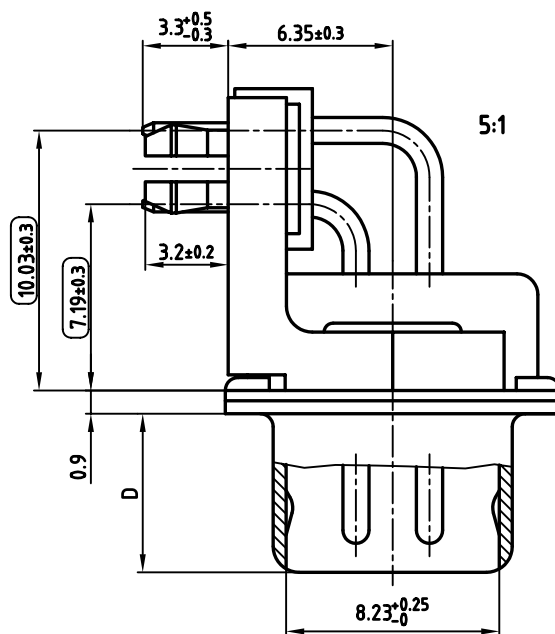


used for: D-SUB FILTER

POS.	A -0.76	B $+0.25$	C	D -0.3	Part NO.
9	31.19	16.79	25.00 -0.12 -0.13	6.12	241A16060X
15	39.52	25.12	33.30 -0.15 -0.1	6.12	241A16070X
25	53.42	38.84	47.04 ± 0.13	5.99	241A16080X
37	69.70	55.30	63.50 ± 0.13	5.99	241A16090X



NOTES:

- METALSHELLS: STEEL; min. 320 μ " TIN
- INSULATORS: PBT GF UL 94 V-0, BLACK
- CONTACTS: COPPER ALLOY
PLATING: 8 μ " HARD GOLD OVER min. 50 μ " NICKEL
- METAL BRACKET: STEEL; min. 320 μ " TIN over 80 μ " NICKEL
- THREADED INSERT: COPPER ALLOY; min. 200 μ " TIN over 80 μ " NICKEL
- PCB-SNAP: COPPER ALLOY; min. 200 μ " TIN over 80 μ " NICKEL
PCB-HOLE: $\phi 3.1 \pm 0.1$; PCB THICKNESS 1.6mm
- FIXING-PLATE: PBT GF UL 94 V-0, BLACK
- P.C.B. HOLE DRILLINGS ON SHEET 2
- CAPACITANCE: 1300pF $\pm 20\%$
- DIELECTRIC WITHSTANDING VOLTAGE: 424 VDC
- MAXIMUM TORQUE VALUE FOR THREAD: 6" LBS
- CONNECTOR IS PART MARKED: PART-NO. CONEC Y/WW
- = CHECK DIMENSION

Directive 2002/95/EC
RoHS-Compliant

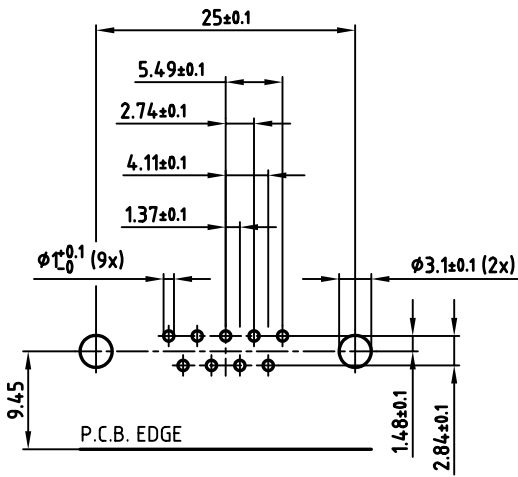
APPROVAL # FREIGABE # DEBLOCAGE # AUTORIZACION # APPROVAL	
CUSTOMER APPROVAL DATE:	
NAME:	TITLE:
COMPANY NAME:	
APPROVAL # FREIGABE # DEBLOCAGE # AUTORIZACION # APPROVAL	

THIS DRAWING MAY NOT BE COPIED OR REPRODUCED IN ANY WAY, AND MAY NOT BE PASSED ON TO A THIRD PARTY, WITHOUT WRITTEN PERMISSION. OWNERSHIP AND COPYRIGHT OF CONEC GmbH DO NOT ALTER CAD DRAWING BY HAND

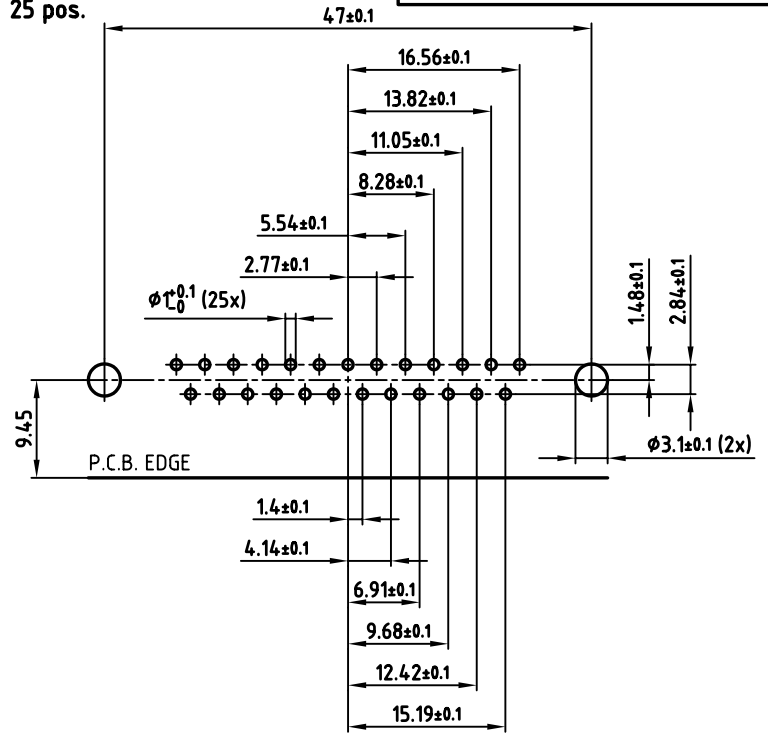
rev.	description	date	name

tolerance	dim. in mm	scale:	2:1 (5:1)
material:			SEE NOTES
drawn	2004 date	name	D-SUB FILTER MALE 90° 9-37pos. 0.318inch threaded insert, metal bracket, fixing-plate, clip
appd.	04.06.	Lehmenkühler	
norm		Kühle	
d-old		DIN 41652	
CONEC		dwg no:	AutoCAD 2004 DIN-A
		part no:	24K1A542
			SEE TABLE
			3 sh:1/2

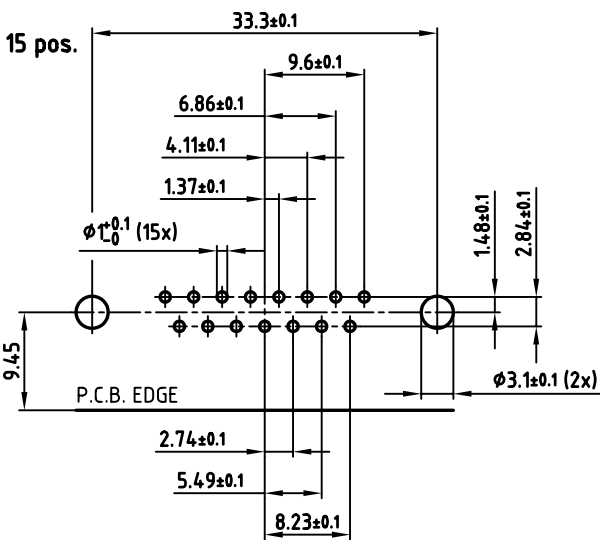
9 pos.



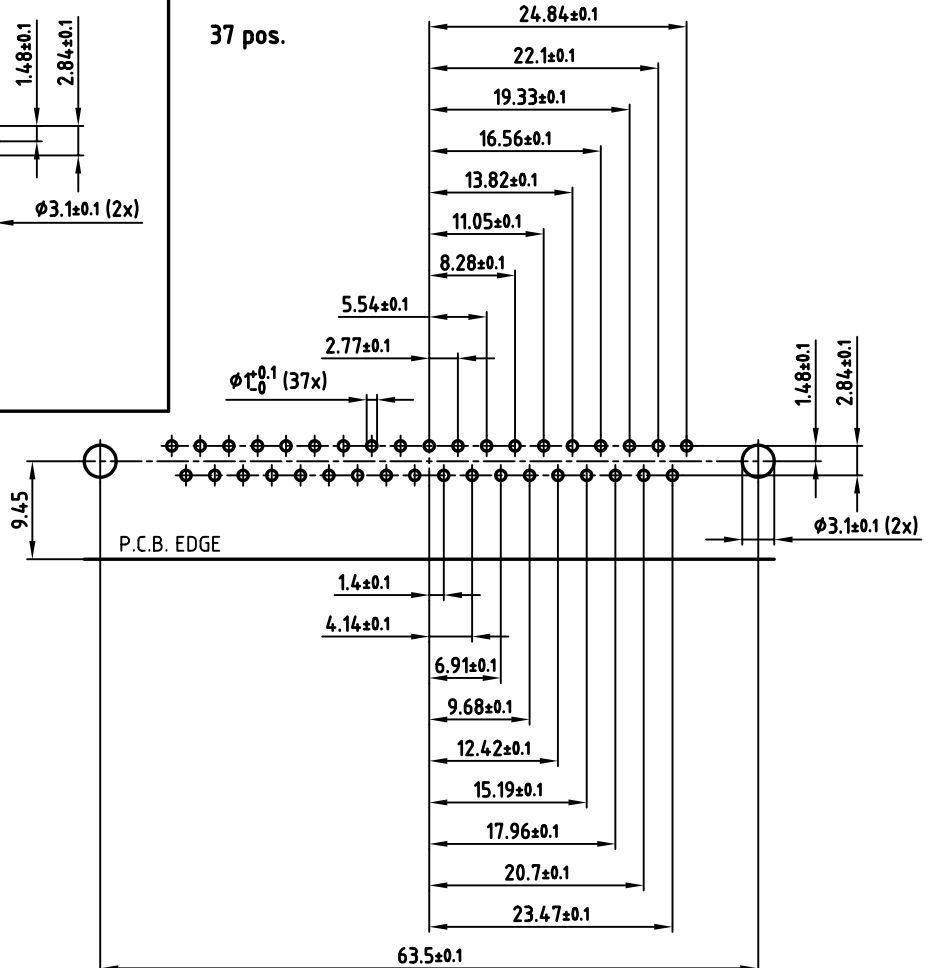
25 pos.



15 pos.



37 pos.



APPROVAL # FREIGABE # DEBLOCAGE # AUTORIZACION # APPROVAL

CUSTOMER APPROVAL DATE:

NAME: TITLE:

COMPANY NAME:

APPROVAL # FREIGABE # DEBLOCAGE # AUTORIZACION # APPROVAL

THIS DRAWING MAY NOT BE COPIED OR REPRODUCED IN ANY WAY, AND MAY NOT BE PASSED ON TO A THIRD PARTY, WITHOUT WRITTEN PERMISSION. OWNERSHIP AND COPYRIGHT OF CONEC GmbH DO NOT ALTER CAD DRAWING BY HAND

rev.	description	date	name

tolerance		scale:	2:1
	dim. in mm	material:	SEE SHEET 1
2004	date	name	
drawn	04.06.	Lehmenkühler	
appd.	04.06.	Kühle	
norm	DIN 41652		
d-old			
		dwg no:	AutoCAD 2004
			DIN-A
			3
			sh:2/2

title: P.C.B. HOLE DRILLINGS

D-SUB FILTER MALE 90° 9-37pos. 0.318inch threaded insert, metal bracket, fixing-plate, clip

part no: SEE SHEET 1