


# VC-AR4-EMV

Order No.: 1853243



<http://eshop.phoenixcontact.de/phoenix/treeViewClick.do?UID=1853243>

EMC shield adapter, for EMC plug connector, type 4, number of insert modules 5

Commercial data	
GTIN (EAN)	
sales group	D200
Pack	5 pcs.
Customs tariff	85389099
Catalog page information	Page 360 (PC-2009)

### Product notes

WEEE/RoHS-compliant since:  
11/17/2006



<http://www.download.phoenixcontact.com>  
Please note that the data given here has been taken from the online catalog. For comprehensive information and data, please refer to the user documentation. The General Terms and Conditions of Use apply to Internet downloads.

## Technical data

General data	
Note	For painted surfaces with conductive panel cutout
Design	VC4

**Material data**

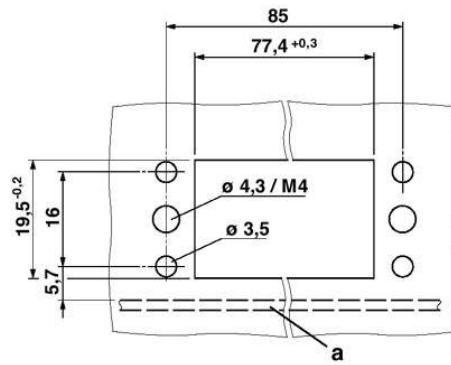
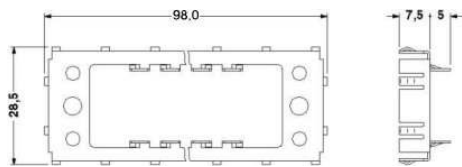
Contact material	CuZn
Contact surface material	Nickel-plated

**Certificates / Approvals**

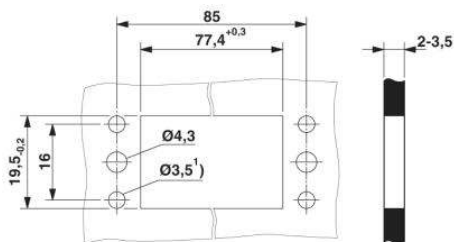
Certification CUL, GOST, UL

**Diagrams/Drawings**

Dimensioned drawing



a - PCB



**Address**

PHOENIX CONTACT Deutschland GmbH  
Flachmarktstr. 8  
32825 Blomberg, Germany  
Phone +49 5235 3 12000  
Fax +49 5235 3 41200  
<http://www.phoenixcontact.de>



© 2011 Phoenix Contact  
Technical modifications reserved;