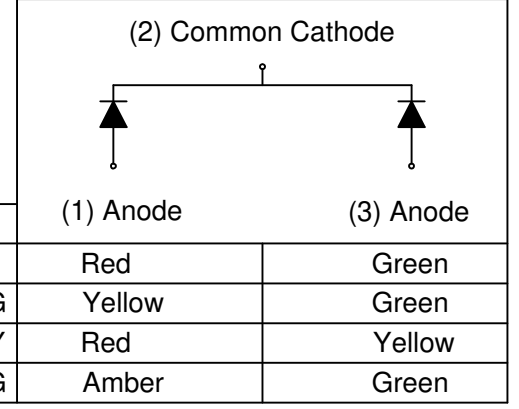
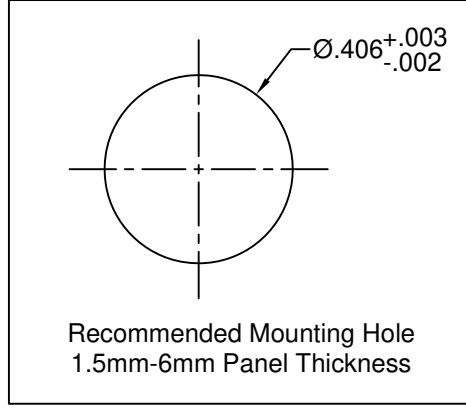
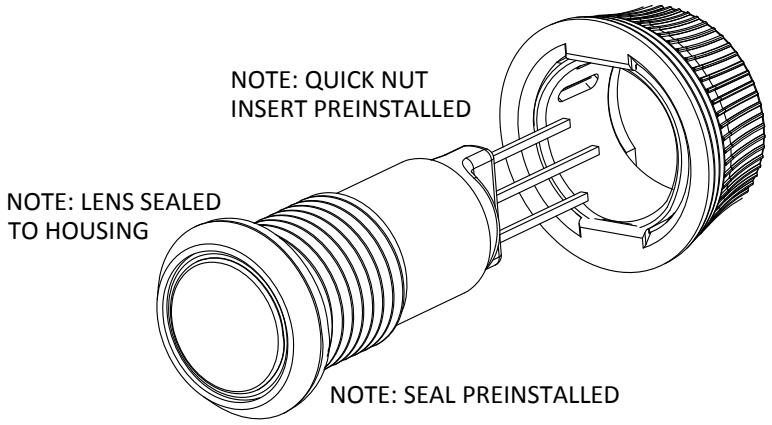
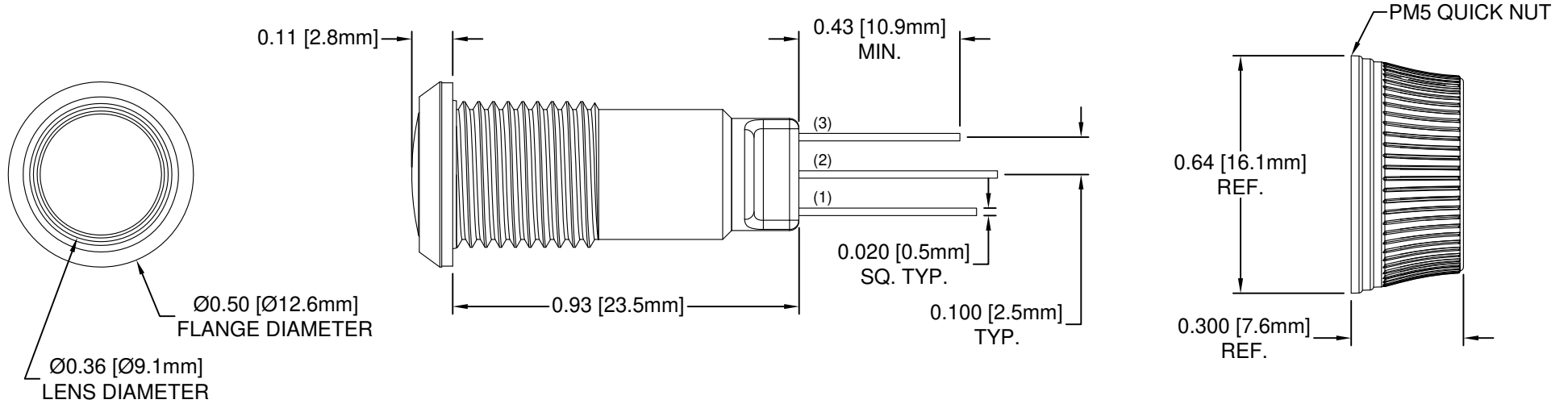


REV.	DESCRIPTION	DATE	APPROVED
A	Engineering Release	04/29/14	J. C.
B	Added 5BC-3-A/G Spec on Page 2	08/22/16	J. C.



EXAMPLE:
PM53-KNBC
 LED Colors
 Series

NOTES:
 1. ROHS COMPLIANT
 2. MOUNTING HARDWARE SHIPPED NON-ASSEMBLED


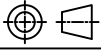
STANDARD TOLERANCE (UNLESS OTHERWISE SPECIFIED)		 4 THOMAS, IRVINE, CA. 92618 TEL: (949) 951-8808 FAX: (949) 951-3974	
DECIMALS	ANGULAR		
.X ± .1	X° ± 1°	 TITLE: Quick-Mount Panel Mount Indicator, 3-Lead Bi-Color	
.XX ± .02			
.XXX ± .010			
DESIGNED: M. Doan	DATE: 04/21/14	PART NO: PM53-KNXX	REVISION: B
CHECKED: B. Oliver	DATE: 04/21/14	CAGE CODE : 32559	SHEET # 1 OF 2
CAD GENERATED DOCUMENT. DO NOT MEASURE DRAWING.			

REV.	DESCRIPTION	DATE	APPROVED
	SEE SHEET #1		

Assembly Part Number	LED P/N	Peak Wave Length λ_p (nm)	Emitted Color	Electro-Optical Data @ 20mA		Viewing Angle
				Typ Vf (VDC)	Assembly Iv (mcd)	
				TYP	TYP	
PM53-KNBC	5BC-3	625	RED	2.0	12	120
		568	GREEN	2.1	12	
PM53-KNYG	5BC-3-Y/G	590	YELLOW	2.0	11	120
		568	GREEN	2.1	12	
PM53-KNRY	5BC-3-R/Y	625	RED	2.0	12	120
		590	YELLOW	2.0	11	
PM53-KNAG	5BC-3-A/G	605	AMBER	2.0	11	120
		568	GREEN	2.1	11	

ABSOLUTE MAXIMUM RATINGS (Ta = 25°C)

MAXIMUM REVERSE VOLTAGE _____ 5V
 MAXIMUM POWER DISSIPATION _____ 150 mW
 OPERATING TEMPERATURE RANGE _____ -30°C ~ 85°C
 STORAGE TEMPERATURE _____ -40°C ~ 85°C

STANDARD TOLERANCE (UNLESS OTHERWISE SPECIFIED) DECIMALS ANGULAR		 4 THOMAS, IRVINE, CA. 92618 TEL: (949) 951-8808 FAX: (949) 951-3974	
			
DESIGNED: M. Doan	DATE: 04/21/14	TITLE: Quick-Mount Panel Mount Indicator, 3-Lead Bi-Color	
CHECKED: B. Oliver	DATE: 04/21/14	PART NO: PM53-KNXX	REVISION: B
		CAGE CODE : 32559	SHEET # 2 OF 2
CAD GENERATED DOCUMENT. DO NOT MEASURE DRAWING.			