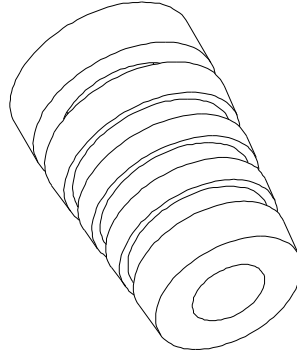
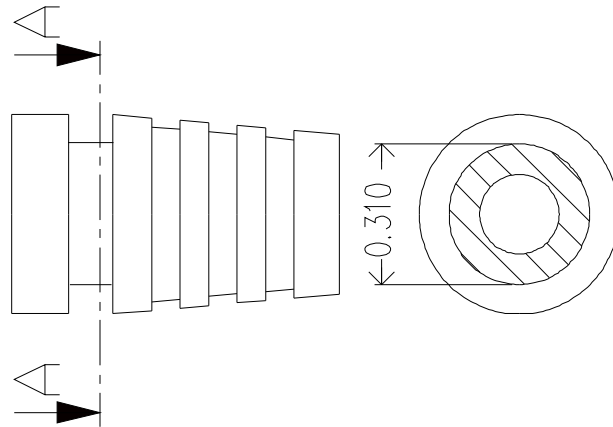
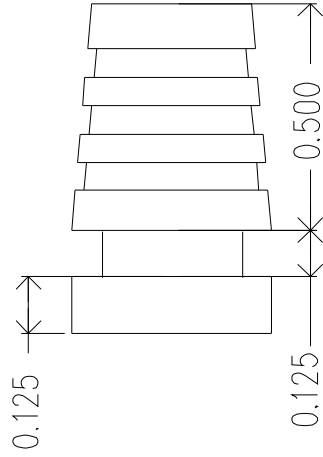
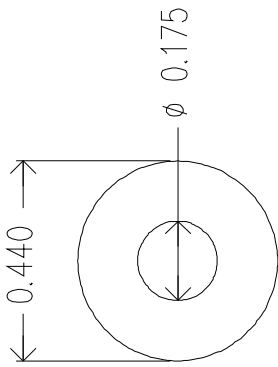


REVISIONS		DATE	APPROVED
ZONE	REV	DATE	APPROVED



MOLD MATERIAL: ISC P/N: 5000214, M1472, Black, PVC, RoHS

DIMENSIONS ARE IN INCHES		NAME	DATE
TOLERANCES:		R. FIERRO	09/30/03
FRACTIONAL	±		
ANGULAR	MACH ±		
BEND	±		
TWO PLACE DECIMAL	±		
THREE PLACE DECIMAL	±		
MATERIAL	---		
FINISH	---		
DO NOT SCALE DRAWING			

DRWN	CHECKED	ENG APPR	MFG APPR	Q.A.	COMMENTS:

ISC Engineering	4351 Schaefer Ave, Chino, CA 91710
Ph: 909-596-3315	Fax: 909-596-3335
www.iscengineering.com	www.overmoldtooling.com

1461040-175-E-310-440-0
SIZE DWG. NO. 1460063
SCALE: 5:1
WEIGHT:
SHEET 1 OF 1

A-A  
 Dimensions are subject to change.  
 PROPRIETARY AND CONFIDENTIAL  
 THE INFORMATION CONTAINED IN THIS DRAWING IS THE SOLE PROPERTY OF ISC ENGINEERING. ANY REPRODUCTION IN PART OR AS A WHOLE WITHOUT THE WRITTEN PERMISSION OF ISC ENGINEERING IS PROHIBITED.

