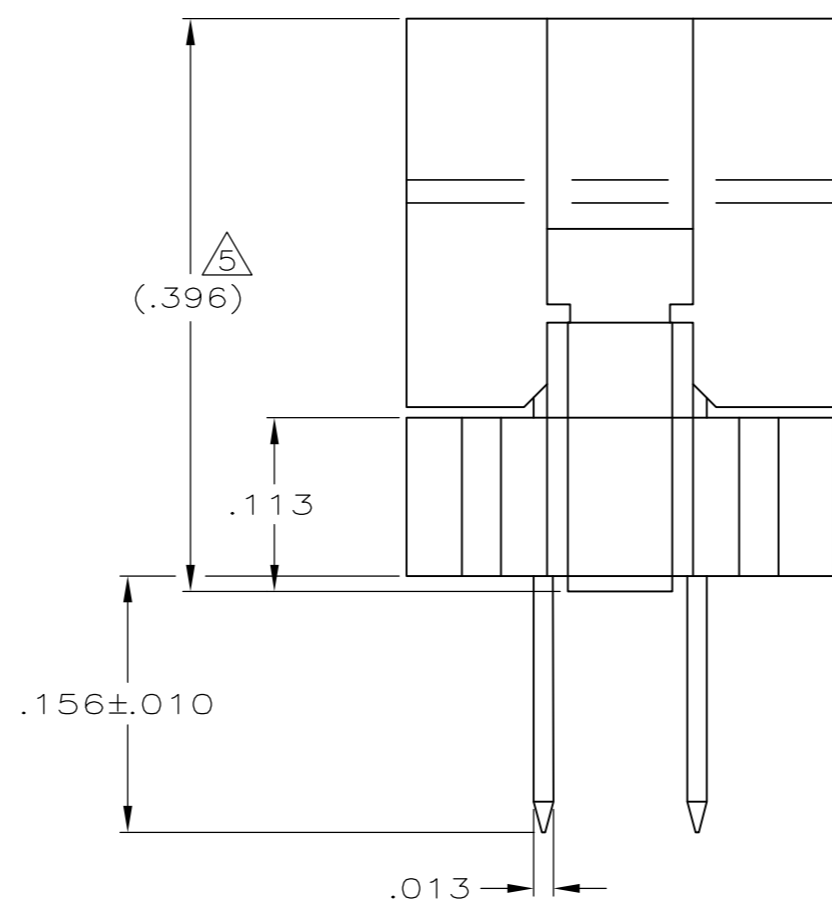
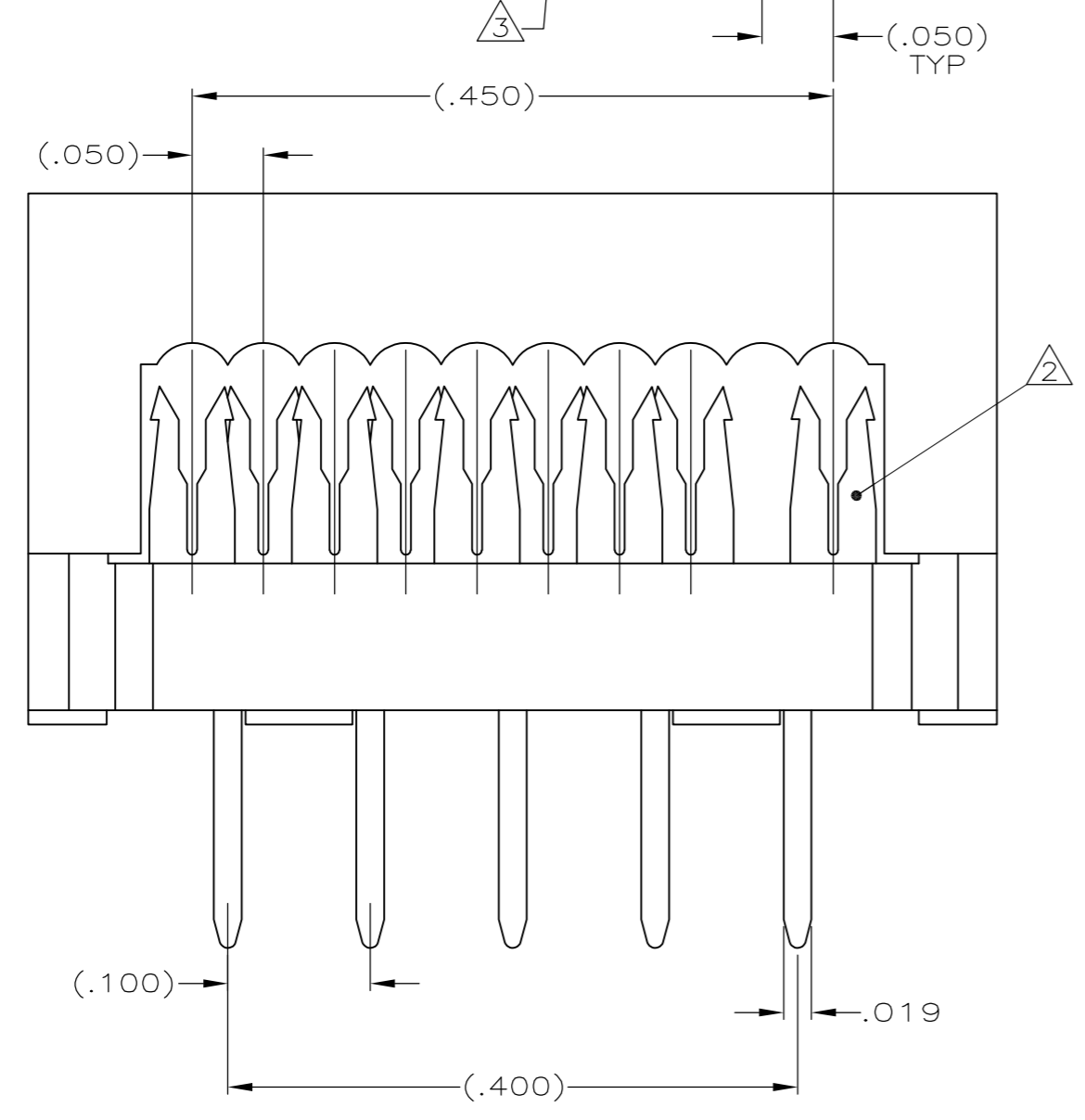
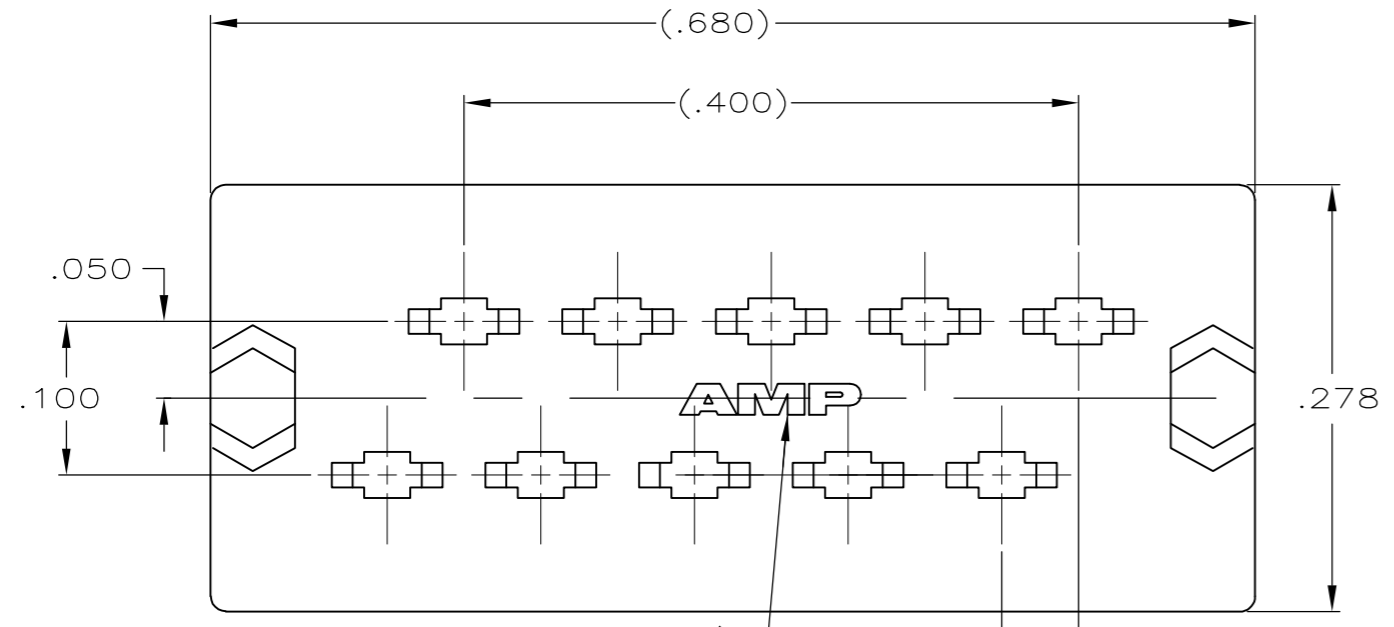
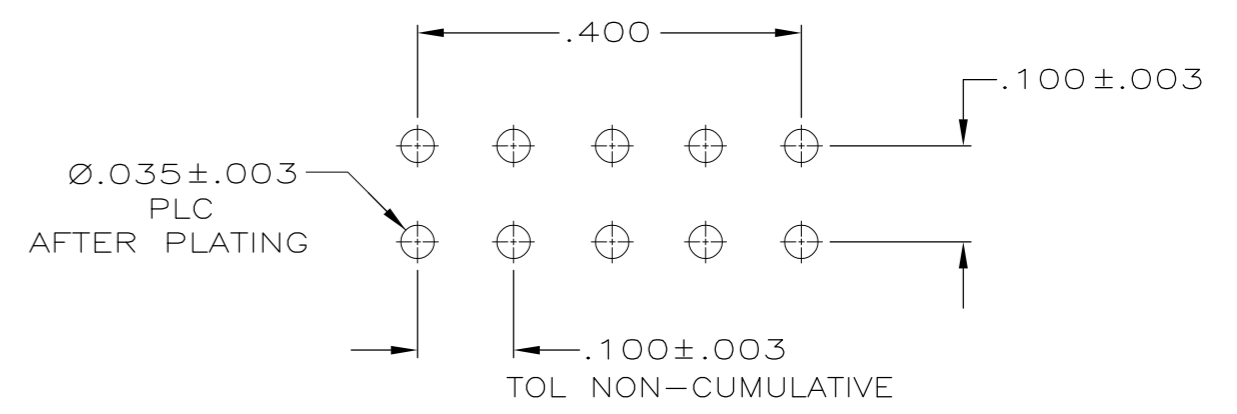


THIS DRAWING IS UNPUBLISHED. RELEASED FOR PUBLICATION
 © COPYRIGHT - By - ALL RIGHTS RESERVED.

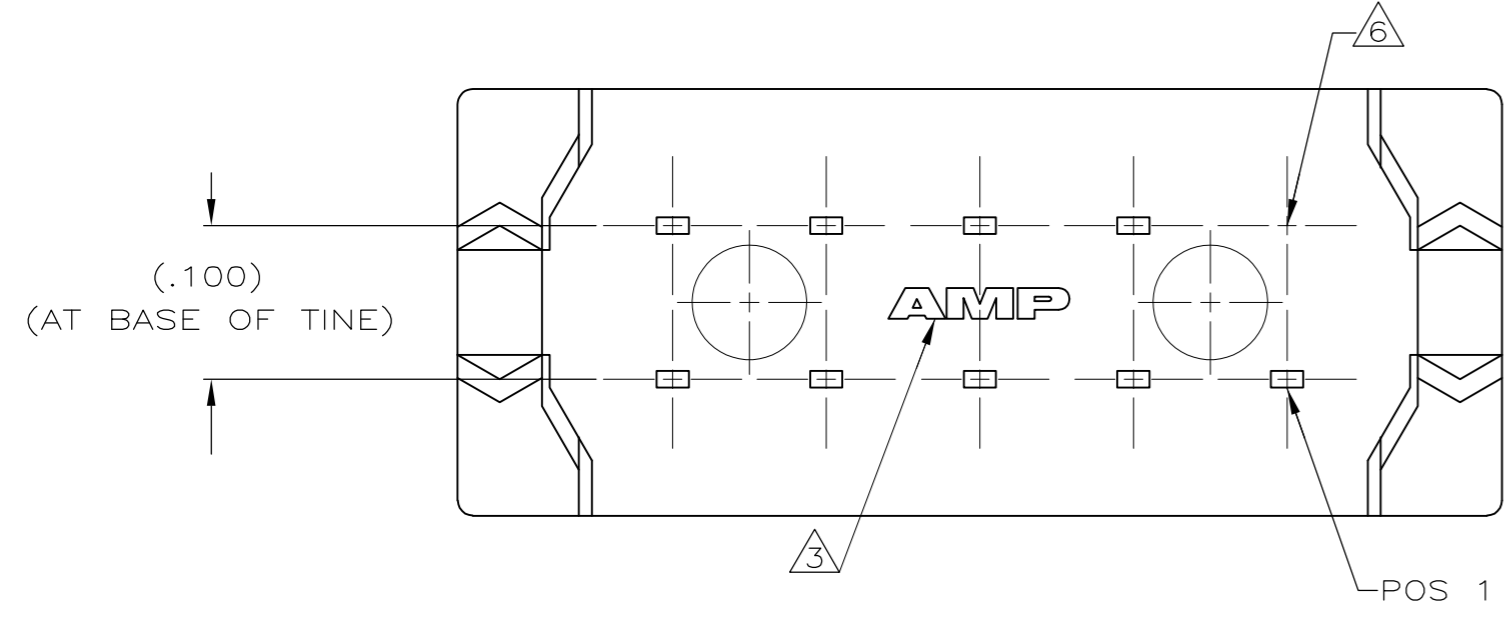
LOC		DIST		REVISIONS			
P	LTR	DESCRIPTION	DATE	DWN	APVD		
GP	00	B	REVISED PER ECO-13-012013	09AUG2013	CJV	CWR	



- 1 MOLDED PARTS: 94V-0 RATED THERMOPLASTIC, COLOR: BLACK
CONTACTS: PHOS BRONZE
- 2 CONTACTS DESIGNED FOR 26 & 28 AWG STRANDED OR 26, 28 & 30 AWG SOLID WIRE.
- 3 AMP TRADEMARK LOCATED IN APPROX AREA SHOWN; MAY BE INVERTED.
- 4 .000005 MIN GOLD ON RIBBON CABLE TERMINATION AREA
.000100-.000200 MATTE TIN ON SOLDER TAILS, ALL OVER
.000050 MIN NICKEL.
- 5 HEIGHT AFTER TERMINATION IS .253 REF.
- 6 NO CONTACT IN POSITION 2. POSITION 1 IS ON THE SAME END AS THE MISSING CONTACT.
- 7 ONE HOLE CAN BE ELIMINATED AT CUSTOMER'S LOCATION OF PIN 2.



RECOMMENDED HOLE LAYOUT
SCALE 5:1



10	6364555-1
NO OF POSN	PART NUMBER

THIS DRAWING IS A CONTROLLED DOCUMENT.		DWN 11-29-04 G. ATTADIA - DOCK5	TE Connectivity	
DIMENSIONS: INCHES		CHK 11-29-04 C. ROHDE	KIT, AMP-LATCH DIP PLUG, PREASSEMBLED .100 X .100 CENTERS	
TOLERANCES UNLESS OTHERWISE SPECIFIED:		APVD 11-29-04 M. WALMSLEY	RESTRICTED TO	
0 PLC ± -	1 PLC ± -	PRODUCT SPEC 108-1538	SIZE A2	CAGE CODE 00779
2 PLC ± -	3 PLC ± .005	APPLICATION SPEC 114-40005	DRAWING NO C-6364555	SCALE 8:1
4 PLC ± -	ANGLES ± -	WEIGHT -	SHEET 1 of 1	REV B
MATERIAL 1	FINISH 4	CUSTOMER DRAWING		

6364555