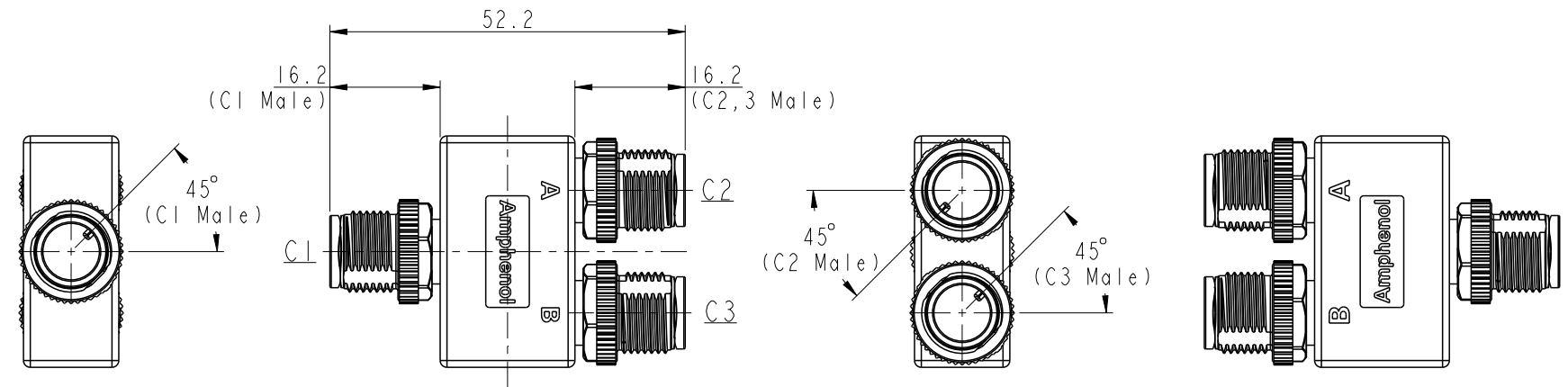


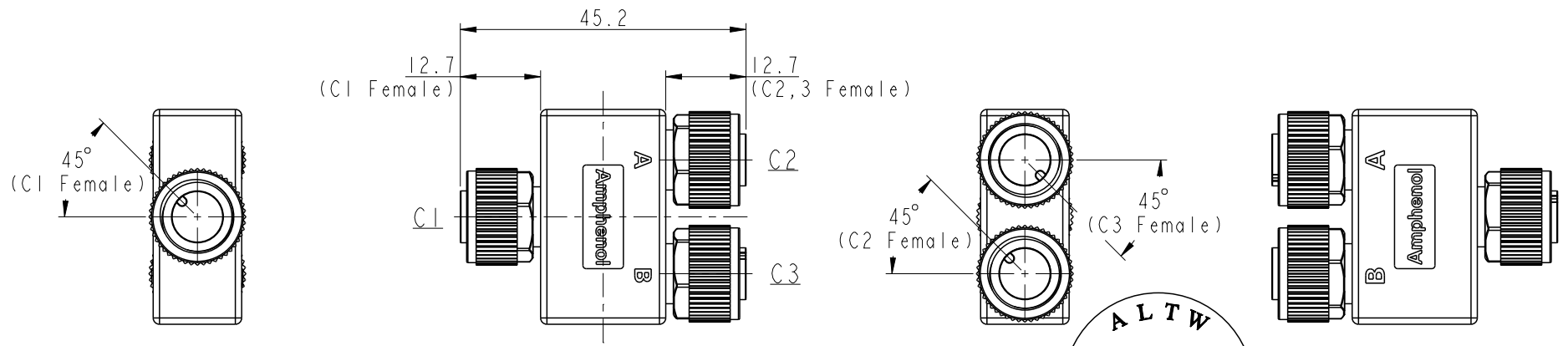
THIS DOCUMENT IS SUBJECT TO CHANGE WITHOUT NOTICE. IT IS CONFIDENTIAL AND A PROPERTY OF Amphenol LTW. DISCLOSURE TO THIRD PARTY HAS TO BE AUTHORIZED BY Amphenol LTW.

REV.	ECN NO.	DATE	SIGN	DESCRIPTION
A		2019/04/10	Bovan Lu	Initial Released.

### Male Connector Position & Key Direction



### Female Connector Position & Key Direction



※ This drawing is common drawing of series products.  
 The figure only shows individual position and key direction of male/female connectors.  
 Specific state of C1,2,3 connectors depends on part number. (see sheet 2/3)

**ALTW**  
**CONFIDENTIAL**  
 2019-04-10  
**R&D DEPT.**

- Note:
- \* IP: IP68 (1M/24Hr.)
  - \* Connector: Thermoplastic
  - \* Pin: Copper Alloy
  - \* Nut: Metal
  - \* Other:

UNIT:mm TOLERANCE ±0.5mm		TITLE M12, A-Code, Y-Adaptor		<h2 style="text-align: center;">Amphenol LTW</h2> <p style="text-align: center;">安費諾亮泰企業股份有限公司</p>	ITEM NO	DRAWN BY Bovan Lu	DATE 2019-04-10		
		SCALE 1:1	SIZE A4		SHEET 1	OF 3	DWG NO YA-AXXX-AXXX-AXXX-XX	CHECKED BY Neo Tsai	DATE 2019-04-10
		REV. A	WC-REV. A.27		Inspection item		CUSTOMER ALTW	APPROVED BY Max Yang	DATE 2019-04-10

THIS DOCUMENT IS SUBJECT TO CHANGE WITHOUT NOTICE. IT IS CONFIDENTIAL AND A PROPERTY OF Amphenol LTW. DISCLOSURE TO THIRD PARTY HAS TO BE AUTHORIZED BY Amphenol LTW.

YA - AXXX - AXXX - AXXX - XX

-01: All connectors have the same number of pins.

C1 Connector Type  
 03: 3 pin  
 04: 4 pin  
 :  
 12: 12 pin

C1 Gender

C2 Connector Type  
 03: 3 pin  
 04: 4 pin  
 :  
 12: 12 pin

C2 Gender


C3 Connector Type  
 03: 3 pin  
 04: 4 pin  
 :  
 12: 12 pin

C3 Gender

M: Male Connector, Male Pin  
 F: Female Connector, Female Pin

M: Male Connector, Male Pin  
 F: Female Connector, Female Pin

M: Male Connector, Male Pin  
 F: Female Connector, Female Pin

UNIT:mm   
 TOLERANCE —

TITLE M12, A-Code, Y-Adaptor			
SCALE 1:1	SIZE A4	SHEET 2 OF 3	
REV. A	WC-REV. A.27	Ⓞ: Inspection item	

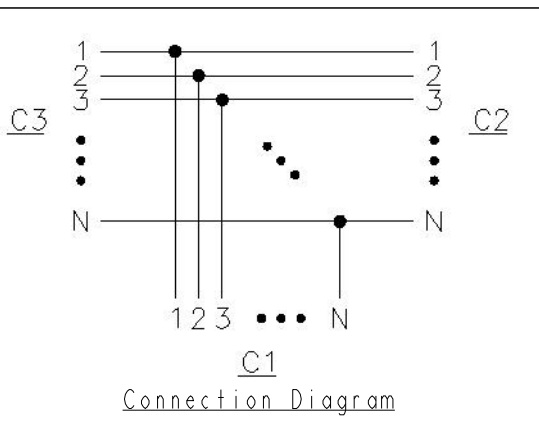
**Amphenol LTW**  
 安費諾亮泰企業股份有限公司

ITEM NO	DRAWN BY Bovan Lu	DATE 2019-04-10
DWG NO YA-AXXX-AXXX-AXXX-XX	CHECKED BY Neo Tsai	DATE 2019-04-10
CUSTOMER ALTW	APPROVED BY Max Yang	DATE 2019-04-10

THIS DOCUMENT IS SUBJECT TO CHANGE WITHOUT NOTICE. IT IS CONFIDENTIAL AND A PROPERTY OF Amphenol LTW. DISCLOSURE TO THIRD PARTY HAS TO BE AUTHORIZED BY Amphenol LTW.

		A-code						
		3 Pin	4 Pin	5 Pin	6 Pin	8 Pin	10 Pin	12 Pin
Male								
Female								
Pin Out	Pin# Color	Pin# Color	Pin# Color	Pin# Color	Pin# Color	Pin# Color	Pin# Color	Pin# Color
	Pin1 Black Pin3 White Pin4 Blue	Pin1 Black Pin2 White Pin3 Blue Pin4 Green	Pin1 Black Pin2 White Pin3 Blue Pin4 Green Pin5 Red	Pin1 Black Pin2 White Pin3 Blue Pin4 Green Pin6 Red Pin7 Gray	Pin1 Black Pin2 White Pin3 Blue Pin4 Green Pin5 Red Pin6 Gray Pin7 Yellow Pin8 Orange	Pin1 Black Pin2 White Pin3 Blue Pin4 Green Pin5 Red Pin6 Gray Pin7 Yellow Pin8 Orange Pin9 Brown Pin10 Purple	Pin1 Black Pin2 White Pin3 Blue Pin4 Green Pin5 Red Pin6 Gray Pin7 Yellow Pin8 Orange Pin9 Brown Pin10 Purple Pin11 White/Red Pin12 Pink	

Pin Assignments Front View



UNIT:mm

TOLERANCE

TITLE  
M12, A-Code, Y-Adaptor

SCALE 1:1 SIZE A4 SHEET 3 OF 3

REV. A WC-REV. A.27 Inspection item

**Amphenol LTW**  
安費諾亮泰企業股份有限公司

ITEM NO

DWG NO  
YA-AXXX-AXXX-AXXX-XX

CUSTOMER  
ALTW

DRAWN BY  
Bovan Lu

CHECKED BY  
Neo Tsai

APPROVED BY  
Max Yang

DATE  
2019-04-10

DATE  
2019-04-10

DATE  
2019-04-10