

SLEEVE TERMINAL
CABLE CLAMP

HANDLE
SHIPPED
UNASSEMBLED

TIP TERMINAL

COUPLING RING

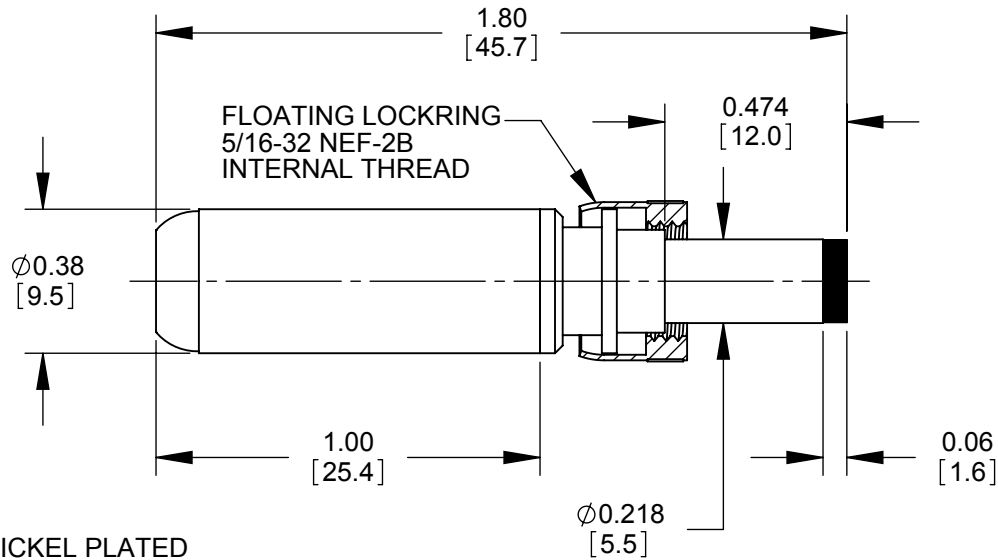
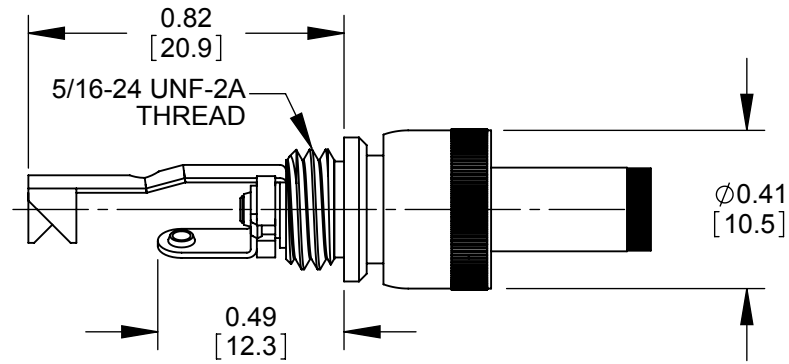
Ø0.218 ID REF
[5.5]

Ø0.38
[9.5]

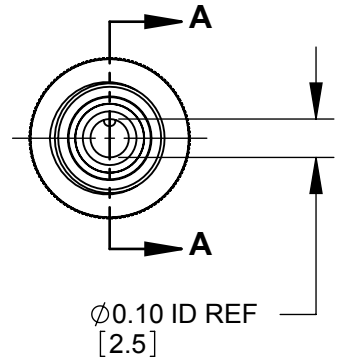
NOTES:

1. MATERIALS:
CONDUCTORS, LOCKRING - BRASS, NICKEL PLATED
TERMINALS - BRASS, TIN PLATED
INSULATORS, HANDLE - THERMOPLASTIC

2. THIS PRODUCT IS RoHS COMPLIANT



PART NUMBER	HANDLE COLOR
761K	BLACK
766K	RED



CUSTOMER DRAWING

THIS DRAWING DESCRIBES A DESIGN CONSIDERED PROPRIETARY IN NATURE, DEVELOPED AND MANUFACTURED BY SWITCHCRAFT INC. AND IS RELEASED ON A CONFIDENTIAL BASIS FOR IDENTIFICATION PURPOSES ONLY.

UNLESS OTHERWISE SPECIFIED

1. ALL DIMENSIONS IN INCHES
- TWO PLACE DECIMALS ±0.02
- THREE PLACE DECIMALS ±0.005

SIZE *	WIDTH *	MULT *	LBS/M *	TEMPER *
FINISH *			MATERIAL *	
SPEC No. *			SPEC No. *	
FIRST USED ON *		SCALE 2:1		
DATE DRAWN	BY	CHKD	APVD	
2-18-94	ES	JLD 2-22-94	GHJ 2-22-94	
NAME Ø0.10 [2.5]mm x 0.474 LONG POWER PLUG W/LOCKRING, RoHS			PART No. 761K-766K	
DO NOT SCALE DRAWING			REV D	

Switchcraft®

SHEET 1 OF 1

REV	ECO NUMBER	DATE	BY	APVD
D	25989	11-13-08	JEB	TJK
REVISIONS				

SolidWorks CAD File

