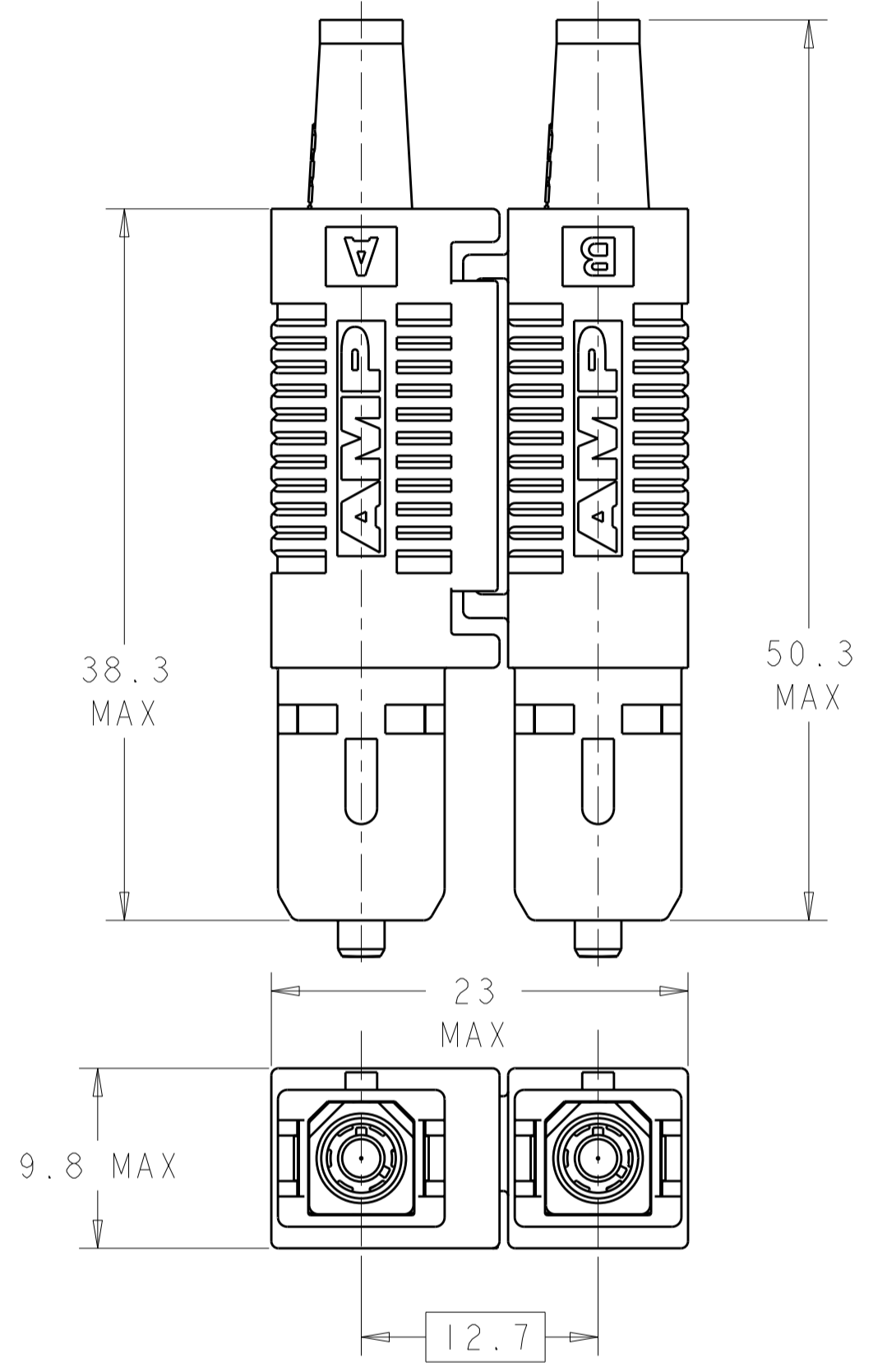
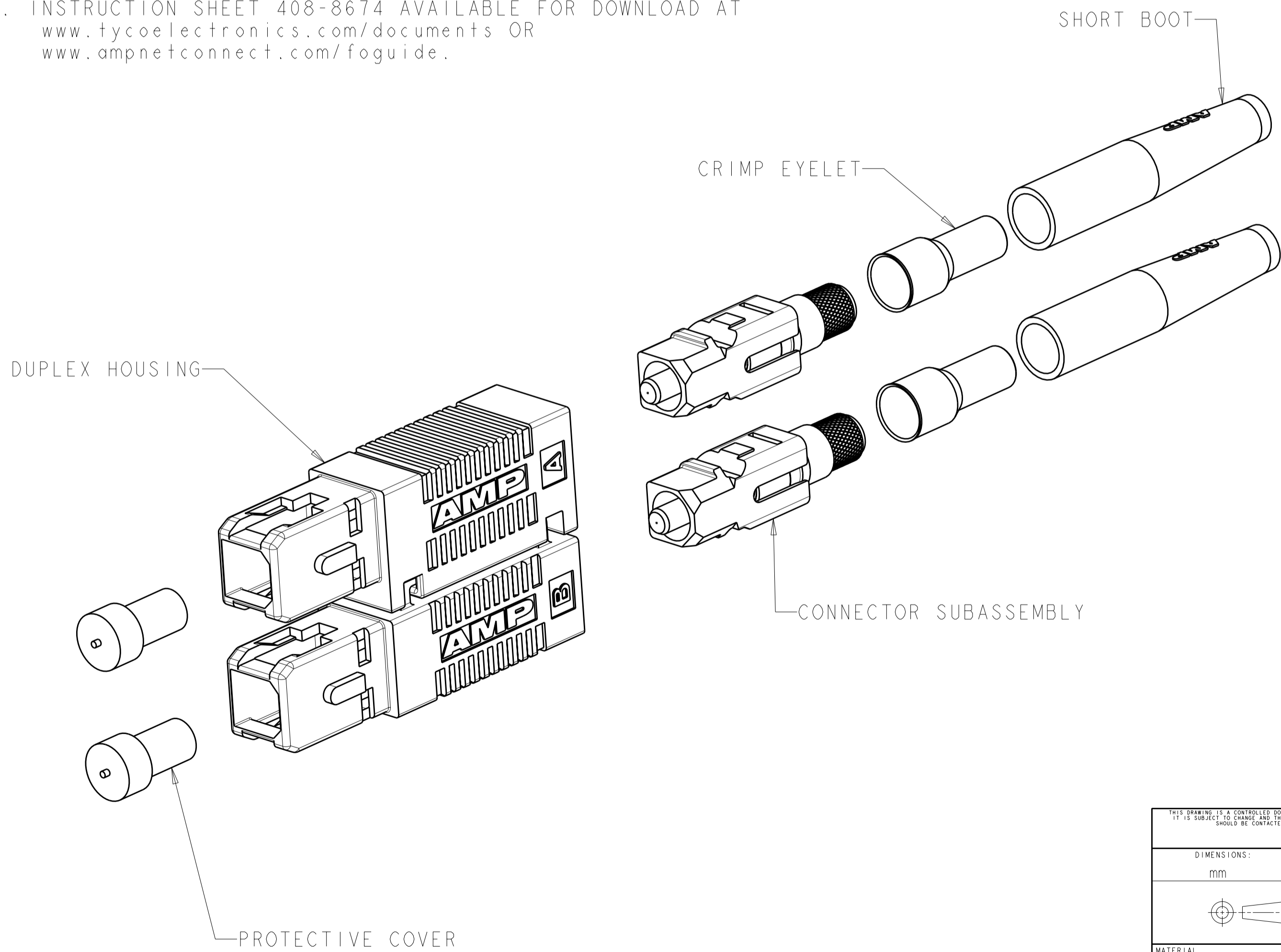


THIS DRAWING IS UNPUBLISHED. RELEASED FOR PUBLICATION 20
 © COPYRIGHT 20 BY TYCO ELECTRONICS CORPORATION. ALL RIGHTS RESERVED.

LOC		DIST		REVISIONS			
P	LTR	DESCRIPTION	DATE	DWN	APVD		
	A	RELEASE TO ACTIVE	09JUN2006	BB	SM		
	B	REVISE PER ECR-07-011930	06JUN2007	BB	SM		
	BI	ADD NOTE 3.	12MAY2009	KG	SB		

1 MATERIAL:
 CONNECTOR HOUSING: PBT-GF17, COLOR: BEIGE.*
 PROTECTIVE COVER: LDPE, COLOR: BLACK, NON-FR.
 CONNECTOR SUBASSEMBLY:
 PLUG BODY: PES-GF20, COLOR: BEIGE.*
 FERRULE ASSEMBLY: CERAMIC/PBT-GF17, COLOR: BEIGE.*
 EPOXY FILL TUBING: PTFE, COLOR: CLEAR, UL VW-1 RATED.
 SPRING: STAINLESS STEEL.
 RETAINER BODY: PES-GF20, COLOR: BEIGE.*
 CRIMP EYELET: TIN PLATED COPPER.
 BOOT: TPE, COLOR: SEE TABLE.*
 *UL94 V-0 RATED AT QUALIFYING THICKNESS.

2. FOR USE WITH 2.0mm "LOOSE-JACKETED" CABLE.
 3. INSTRUCTION SHEET 408-8674 AVAILABLE FOR DOWNLOAD AT
www.tycoelectronics.com/documents OR
www.ampnetconnect.com/foguide.



BLACK	5504928-4
AQUA	5504928-3
BEIGE	5504928-1
BOOT COLOR	PART NUMBER

THIS DRAWING IS A CONTROLLED DOCUMENT FOR TYCO ELECTRONICS CORPORATION. IT IS SUBJECT TO CHANGE AND THE CONTROLLING ENGINEERING ORGANIZATION SHOULD BE CONTACTED FOR THE LATEST REVISION.		DWN B. BRIGGS 14 JUL 2005	Tyco Electronics Harrisburg, PA 17105-3608
DIMENSIONS: mm		CHK S. MILLER 14 JUL 2005	
TOLERANCES UNLESS OTHERWISE SPECIFIED: 0 PLC ± 1 PLC ± 2 PLC ± 3 PLC ± 4 PLC ± ANGLES ± FINISH		APVD S. BUCHTER 14 JUL 2005	
MATERIAL		PRODUCT SPEC - APPLICATION SPEC -	
		WEIGHT -	NAME AMP SC DUPLEX CONNECTOR KIT, MULTIMODE, 2.0mm
		CUSTOMER DRAWING	SIZE A2
			CAGE CODE 00779
			DRAWING NO 5504928
			RESTRICTED TO -
			SCALE 3:1
			SHEET 1
			OF 1
			REV BI