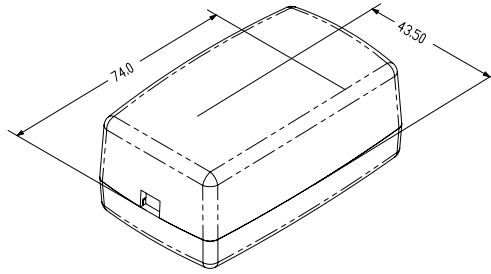
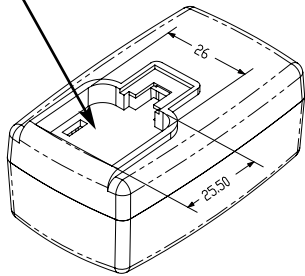


| | | | | |
|--|----------|--------------------------------|----------|----------|
| PROPRIETARY INFORMATION: PROPRIETARY OF GLOBTEK, INC. ANY REPRODUCTION, DISCLOSURE OR USE OF THIS DRAWING, IN WHOLE OR IN PART, IS HEREBY PROHIBITED EXCEPT AS SPECIFIED IN WRITING BY GLOBTEK, INC. | REVISION | | | |
| | REV | DESCRIPTION | DATE | APPROVED |
| | A | INITIAL RELEASE, RFS.22558, EM | 03/12/12 | HM |



STANDARD OPTION SHIPS WITHOUT AC PINS INSTALLED

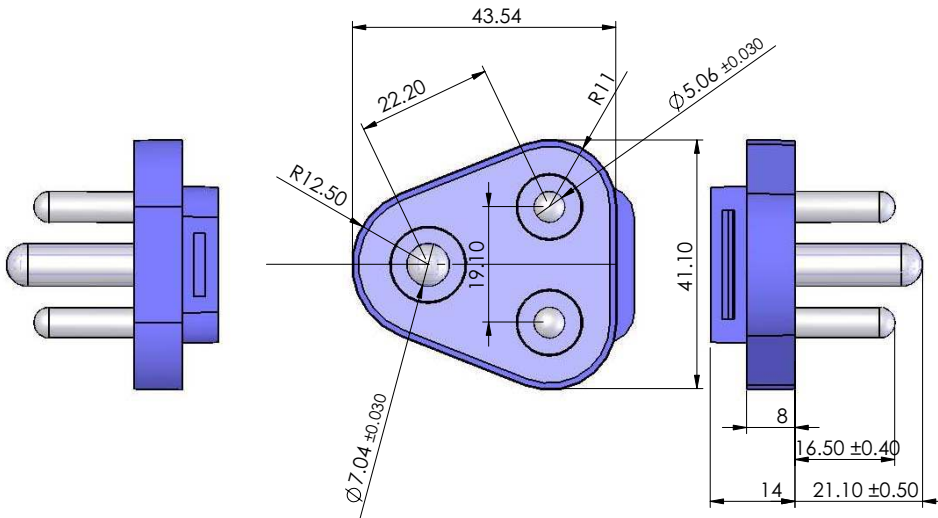
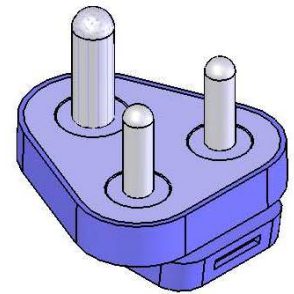
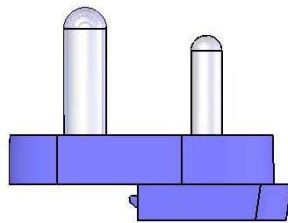


1. MATERIAL

HIGH IMPACT PLASTIC, 94V0 POLYCARBONATE, NON-VENTED, COLOR WHITE


2. INPUT CONNECTOR:

INDIA / SOUTH AFRICA



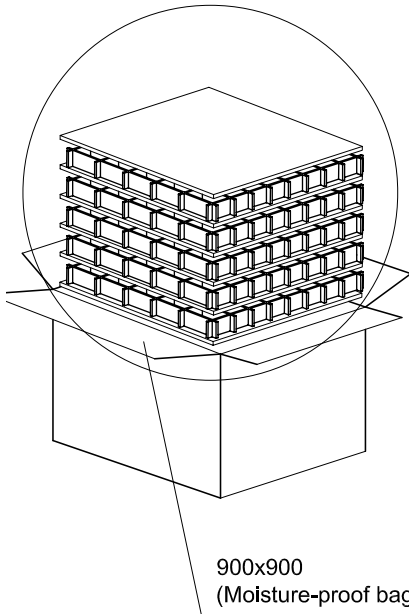
P/N: Q-IN-WH(R)
INDIA
SOUTH AFRICA

NOTE: GROUND/EARTH PIN IS NOT ELECTRICALLY CONNECTED TO POWER SUPPLY

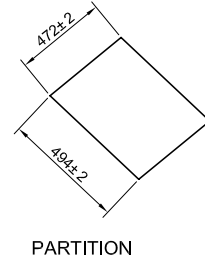
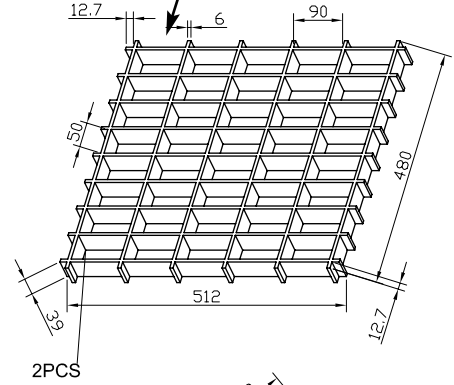
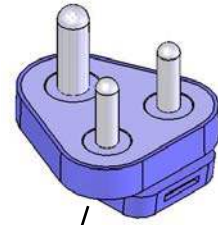
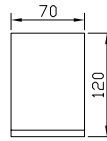
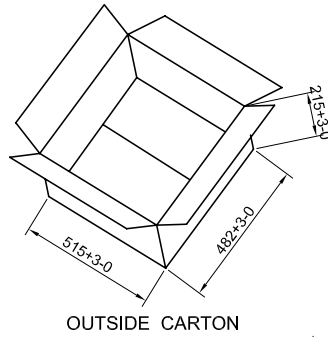
| | | | | | | |
|---|--|----------------|---|---------------------|---------------|--|
| Foot Note: Globtek Inc. will not be liable for the safety and performance of these power supplies if unauthorized access and repair occurs. End user should consult applicable UL, CSA or EN standards for proper installation instructions. | DASH NO. | PART NO | REV. | DESCRIPTION | NOTES | |
| | TABULATION BLOCK | | | | | |
| Limitation of Use: Globtek product are not authorized for use as mission critical components in life support, hazardous environment, nuclear or aircraft applications without prior written approval from the CEO of Globtek Inc. | TOLERANCES: DECIMALS ANGULAR .xx +/- 0.1 +/- 1° .xxx +/- .005 | |  186 Veterans Dr. Northvale, NJ 07647 Tel. 201-784-1000 Fax 201.784.0111 www.globtek.com | | | |
| | INIT.BY: EM | DATE: 03/12/12 | | | | MILLIMETERS ANGULAR .xx +/- 0.3 +/- 1° .xxx +/- .013 |
| | DRAWN: NF | DATE: 03/12/12 | FSCN No.: G, N | SIZE A | MODEL NO: N/A | REV. A |
| | APRVD : HM | DATE: 03/12/12 | SCALE: NONE | PART NO: Q-IN-WH(R) | SHEET 1 OF 2 | |


PROPRIETARY INFORMATION:
 PROPRIETARY OF GLOBTEK, INC. ANY REPRODUCTION, DISCLOSURE OR
 USE OF THIS DRAWING, IN WHOLE OR IN PART, IS HEREBY
 PROHIBITED EXCEPT AS SPECIFIED IN WRITING BY GLOBTEK, INC.

3. PACKING:



400 PCS/CARTON
(80PCS*5)



| | | | |
|---|--|--|--|
|  GlobTek, Inc. www.globtek.com | | 186 Veterans Dr. Northvale, NJ 07647 Tel. 201-784-1000 Fax 201.784.0111 | |
| DWG TITLE: INTERCHANGEABLE PLUG FOR GT-4XXXX SERIES, INDIA/SOUTH AFRICA | | | |
| MODEL NO: N/A | | REV. A | |
| PART NO: Q-IN-WH(R) | | SHEET 2 OF 2 | |